

## X22-VL-650 — Bi-directional Optical to TTL Converter with Versatile Link™ Connectors

**Features**

- Converts fiber-optic signals to TTL, and TTL to fiber-optic
- Selectable polarity
- Compact package
- Versatile Link push-fit fiber optic connectors



**Applications**

- Trigger and logic level signal delivery in distributed systems
- High voltage isolation
- General-purpose signal conversion

**Specifications**

Fiber-optic input	Broadcom (Avago) HFBR-2521Z (Versatile Link) receiver, 650 nm light (red)
TTL output	TTL levels into 50 ohms.  Polarity switch-selectable for the output to be the same or inverted relative to the fiber-optic input.
TTL input	TTL levels, input impedance high (> 1 Mohm) or 50 ohm, internal jumper selectable.
Fiber optic output	Broadcom (Avago) HFBR-1521Z (Versatile Link) transmitter, 650 nm light (red).  Polarity switch-selectable for output to be the same or inverted relative to the TTL input.
Propagation delay	<= 50 nsec optical to TTL <= 50 nsec TTL to optical
Power input	+24 +/- VDC, 100 mA max. Fused 1.1 A.
Polarity switches	Independent toggle switches for optical to TTL, and TTL to optical.
Case	Stainless steel sheet with mounting flange, IP43.
Weight	0.20 kg (0.44 lb)



Specifications (continued)

Operating environment	10 to 35C, < 80% humidity, non-condensing, vibration < 0.2 g all axes,
Storage environment	0 to 50C, < 80% humidity, non-condensing, vibration < 2g all axes, 1 to 100Hz

Connectors

Fiber optics	Versatile Link push-fit, dark gray (receiver), light gray (transmitter)
--------------	---

Versatile Link



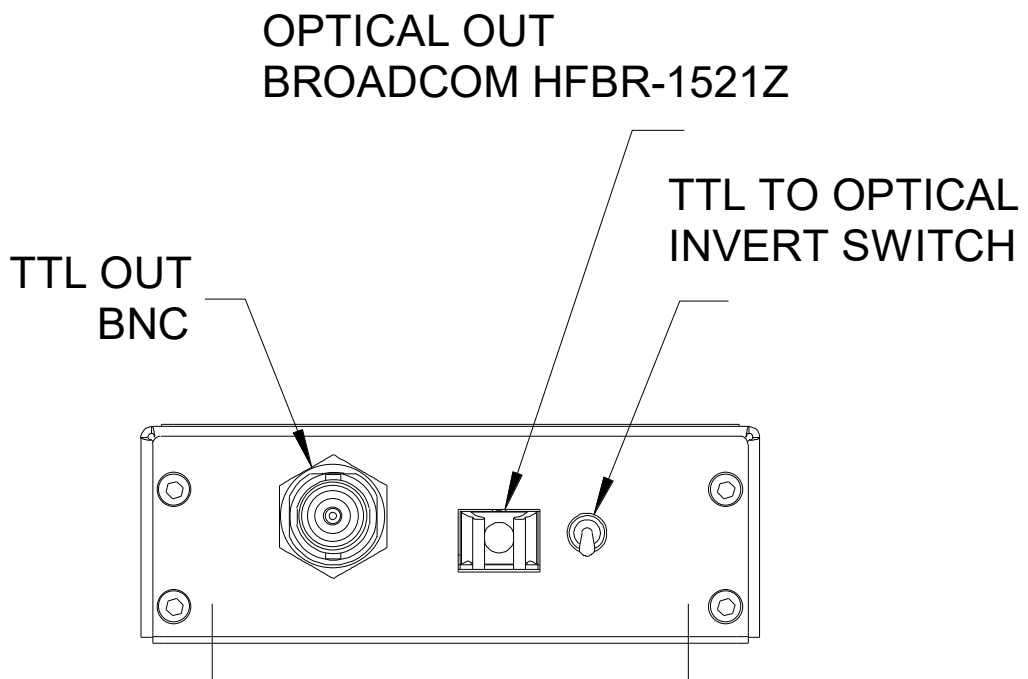
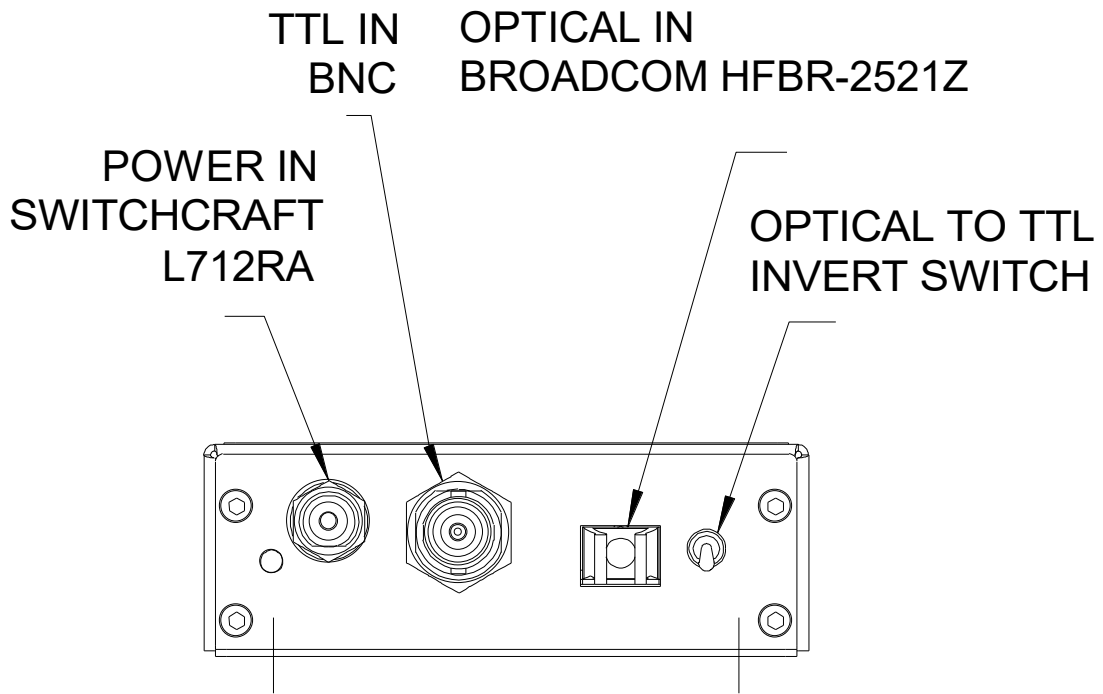
TTL	BNC jacks 50 ohm, two. Signal on core.
24 VDC input	2.1 mm threaded jack. Mate with Switchcraft S761K or equivalent. Pin: +24 VDC; Shell: 0V
Ground	Case grounded via mounting flange

Ordering information

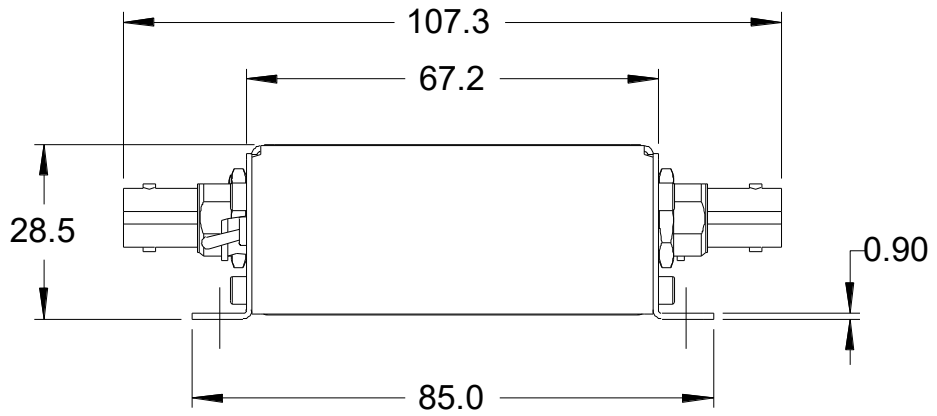
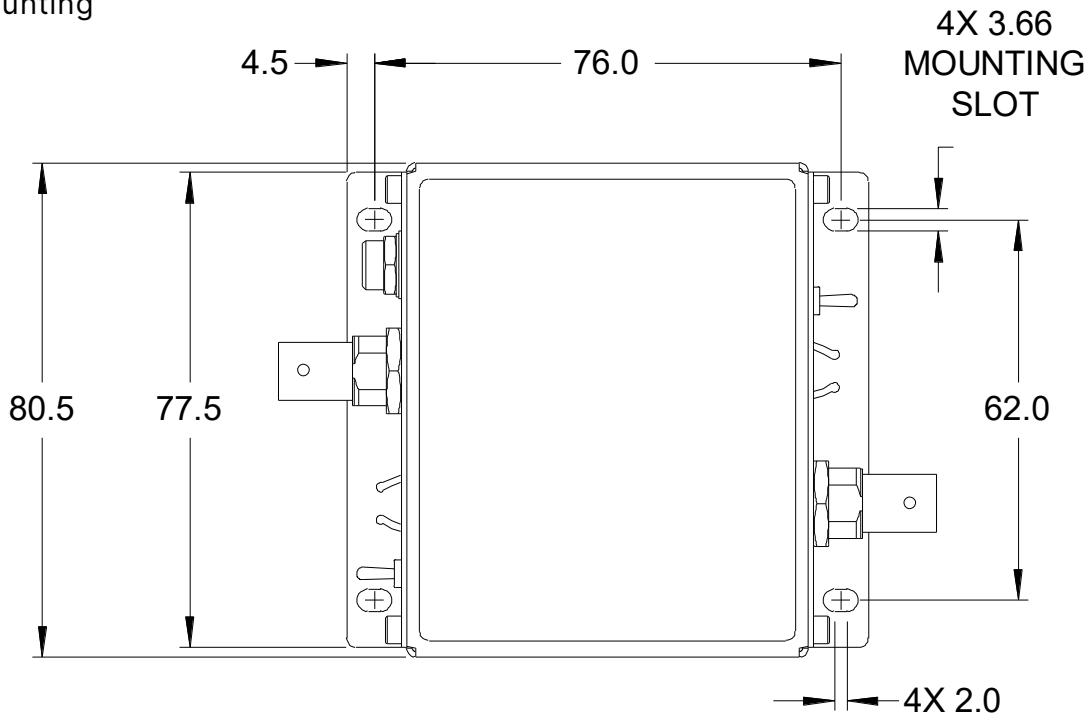
X22-VL	Bi-directional Optical to TTL converter, Versatile link fiber optic connectors (build-time option)
MTG-DIN35-7662	DIN rail mounting adaptor
PSU24-25-1	Universal 24 VDC power supply, medical rated, 25 W, C8 line inlet, Switchcraft S761 threaded jack outlet.



Connectors



Mounting



Pyramid Technical Consultants, Inc.  
135 Beaver Street  
Suite 102  
Waltham, MA 02452 USA

Tel: +1 781 402 1700 (USA),  
+44 1273 492001(UK)

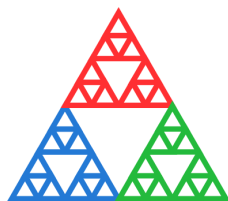
Email: [support@ptcusa.com](mailto:support@ptcusa.com)

[www.pyramid.tech](http://www.pyramid.tech)

The information herein is believed accurate at time of publication, but no specific warranty is given regarding its use. All specifications are subject to change.

All trademarks and names acknowledged.

X22-VL-650-DS\_240904



**PYRAMID**  
[www.pyramid.tech](http://www.pyramid.tech)

