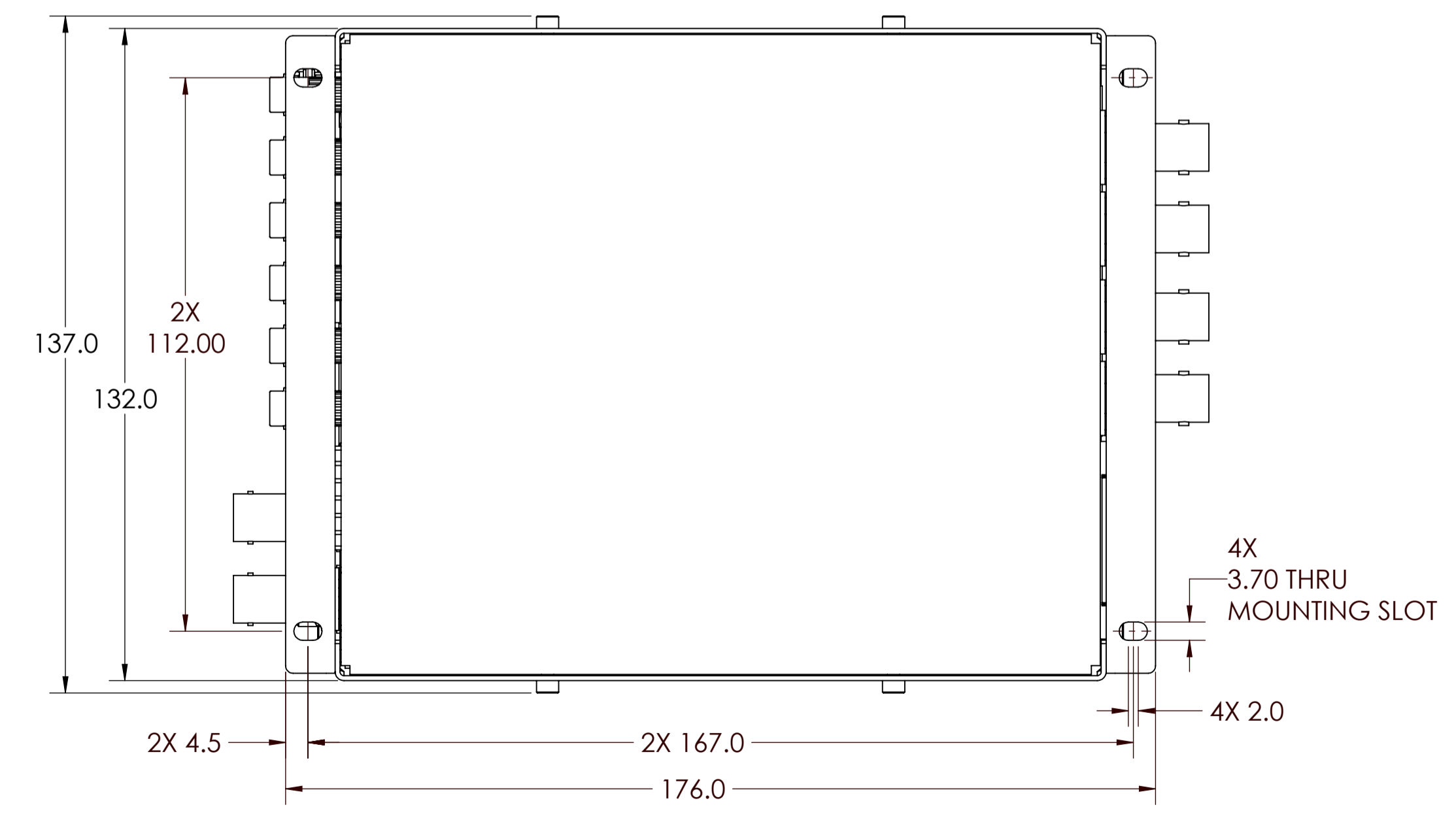
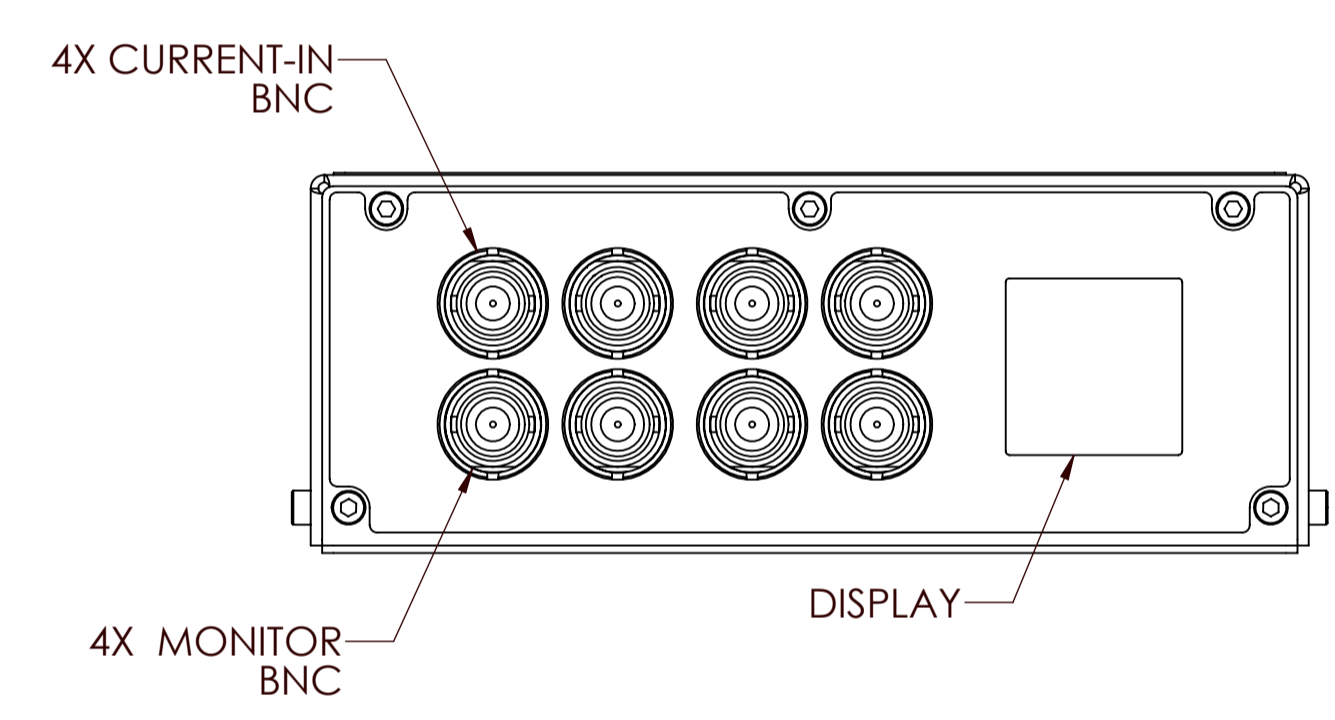
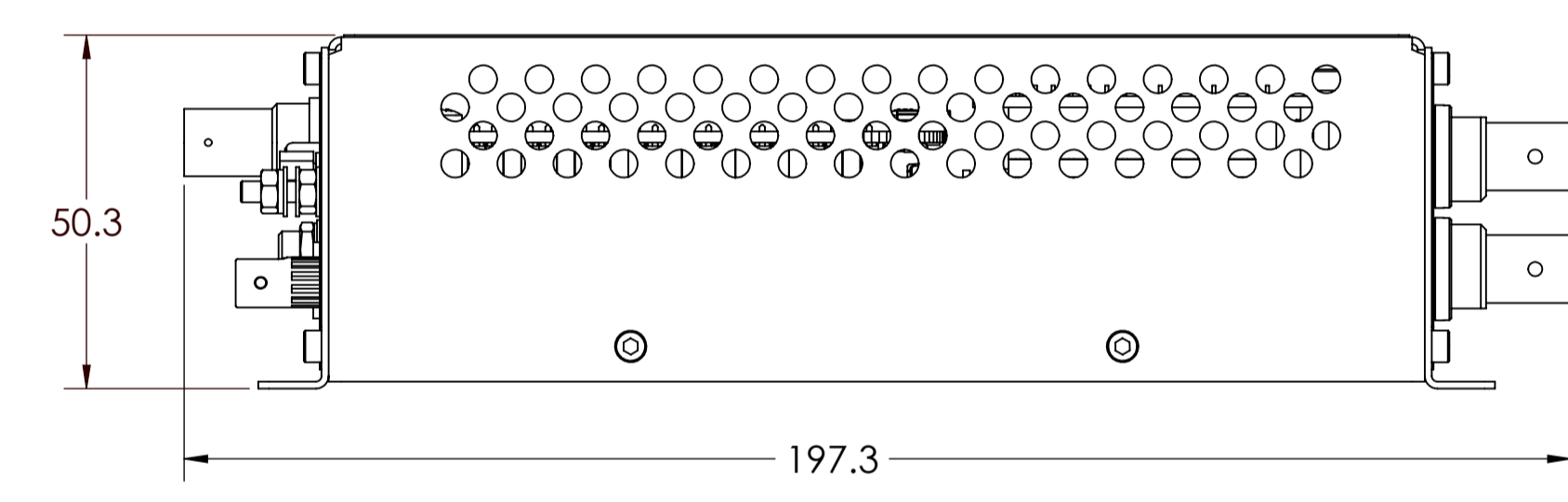
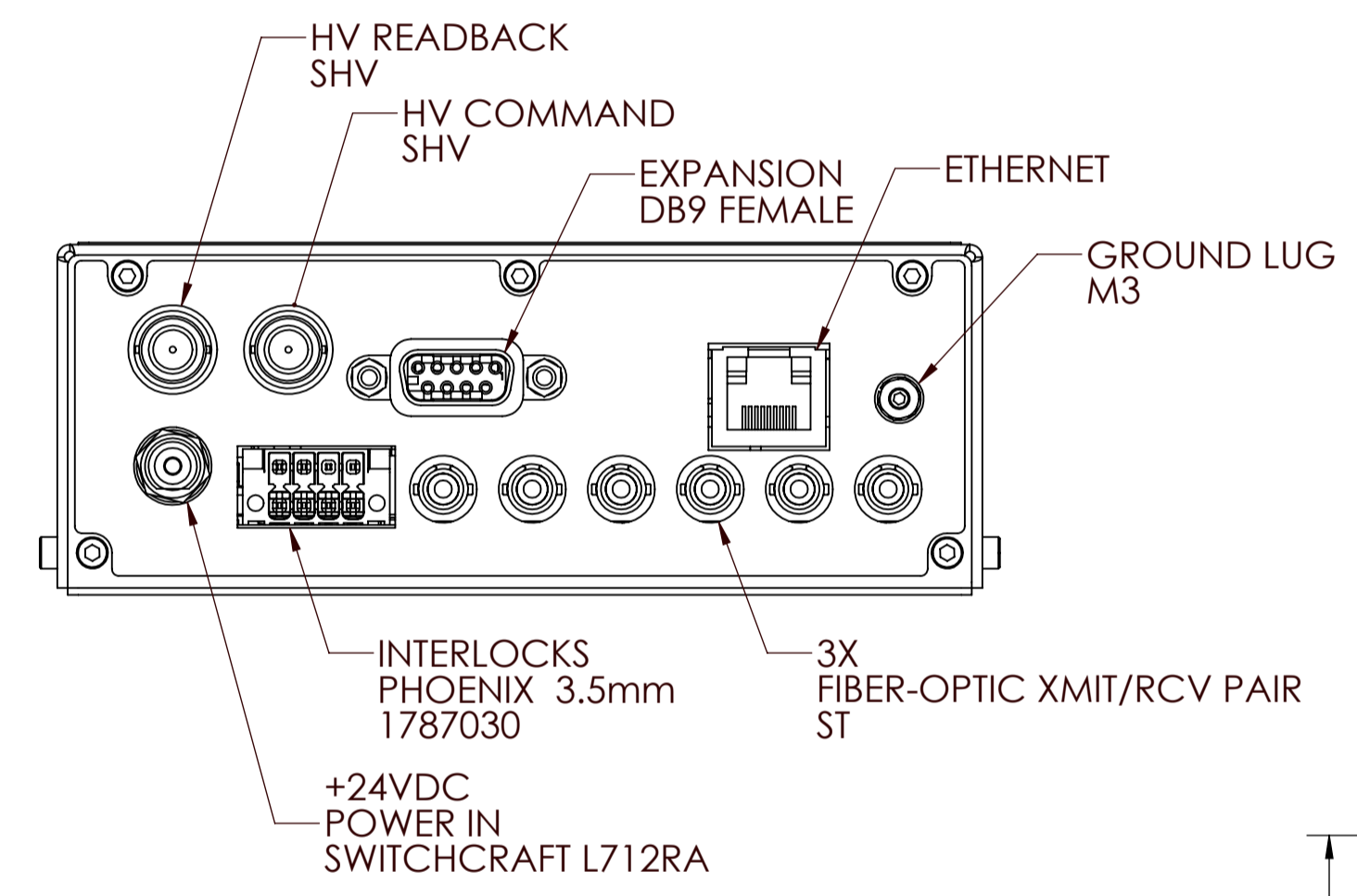
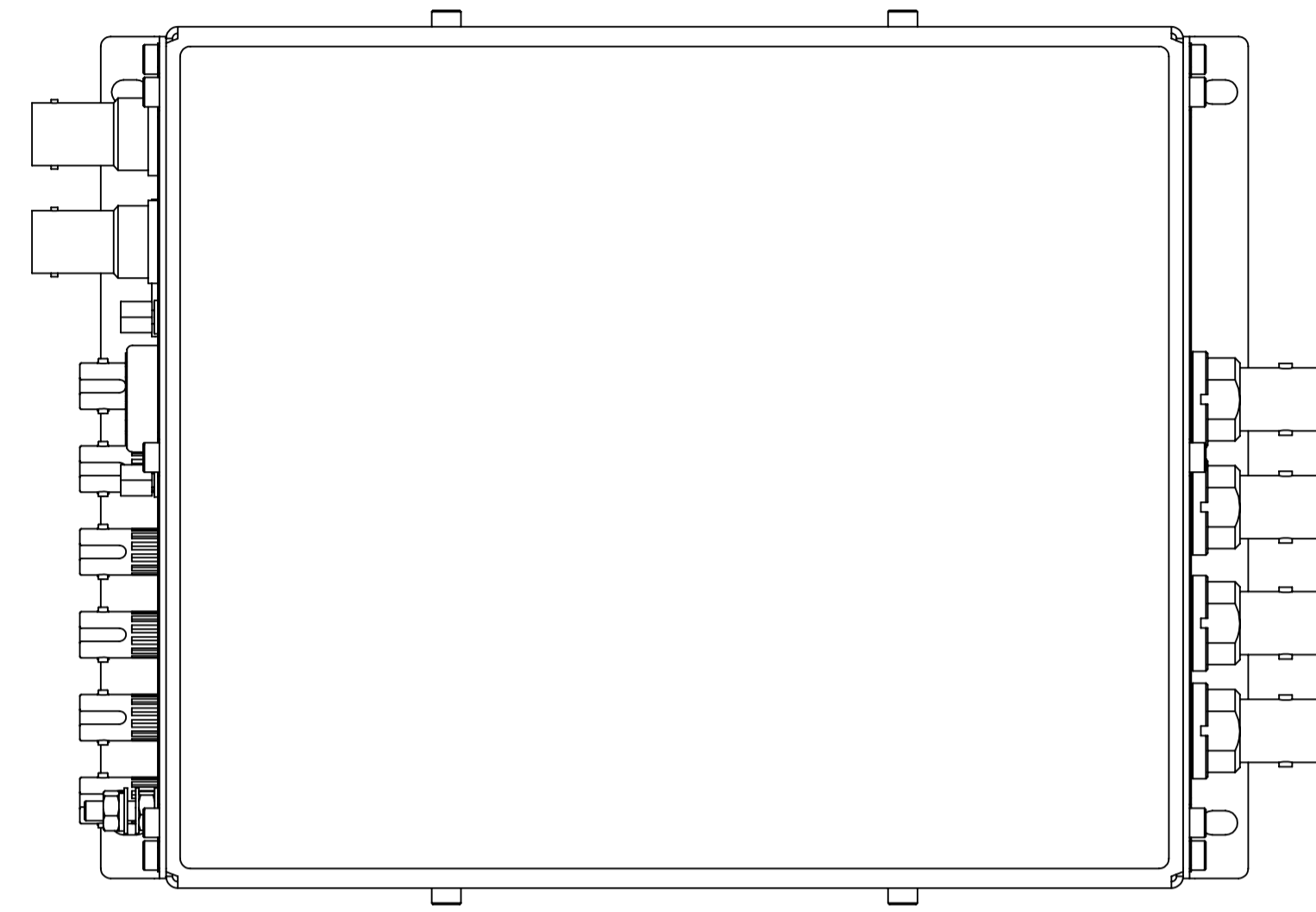


PROPRIETARY
 THIS DRAWING CONTAINS CONFIDENTIAL INFORMATION
 PROPRIETARY TO PYRAMID TECHNICAL CONSULTANTS INC (PTC).
 IT MUST NOT BE REPRODUCED OR DISCLOSED TO OTHERS,
 OR USED IN ANY OTHER WAY, IN WHOLE OR IN PART,
 EXCEPT AS AUTHORIZED IN WRITING BY PTC.

REVISIONS				
REV	DESCRIPTION	DRAFT	DATE	APPROVED
A	INITIAL RELEASE			



DRAWN A. DART	DATE 28SEP2022	DO NOT SCALE FROM DRAWING DIMENSIONS IN mm TOLERANCES UNLESS OTHERWISE SPECIFIED:	 125 BEAVER ST, SUITE 102, WALTHAM, MA 02452 TEL: (781)402-1700, www.ptcus.com	TITLE															
CHECK A. DART	DATE 28SEP2022			FX4 DATASHEET DWG															
ENGINEERING A. DART	DATE 28SEP2022	<table border="1"> <thead> <tr> <th>LINEAR</th> <th>mm</th> </tr> </thead> <tbody> <tr> <td>X.XXX</td> <td>±0.03</td> </tr> <tr> <td>X.XX</td> <td>±0.1</td> </tr> <tr> <td>X.X</td> <td>±0.3</td> </tr> <tr> <td>X</td> <td>±1</td> </tr> <tr> <td>DEG.</td> <td>±0.5</td> </tr> <tr> <td>FINISH</td> <td>1.6</td> </tr> </tbody> </table>	LINEAR	mm	X.XXX	±0.03	X.XX	±0.1	X.X	±0.3	X	±1	DEG.	±0.5	FINISH	1.6	SIZE A1	DRAWING NO. 88202680	REV A
LINEAR	mm																		
X.XXX	±0.03																		
X.XX	±0.1																		
X.X	±0.3																		
X	±1																		
DEG.	±0.5																		
FINISH	1.6																		
NEXT ASSY	SYSTEM	THIRD ANGLE PROJECTION	SCALE 1:1	WT 1.2 kg	SHEET 1 OF 1														
SOFTWARE: SOLIDWORKS 2021																			