

4

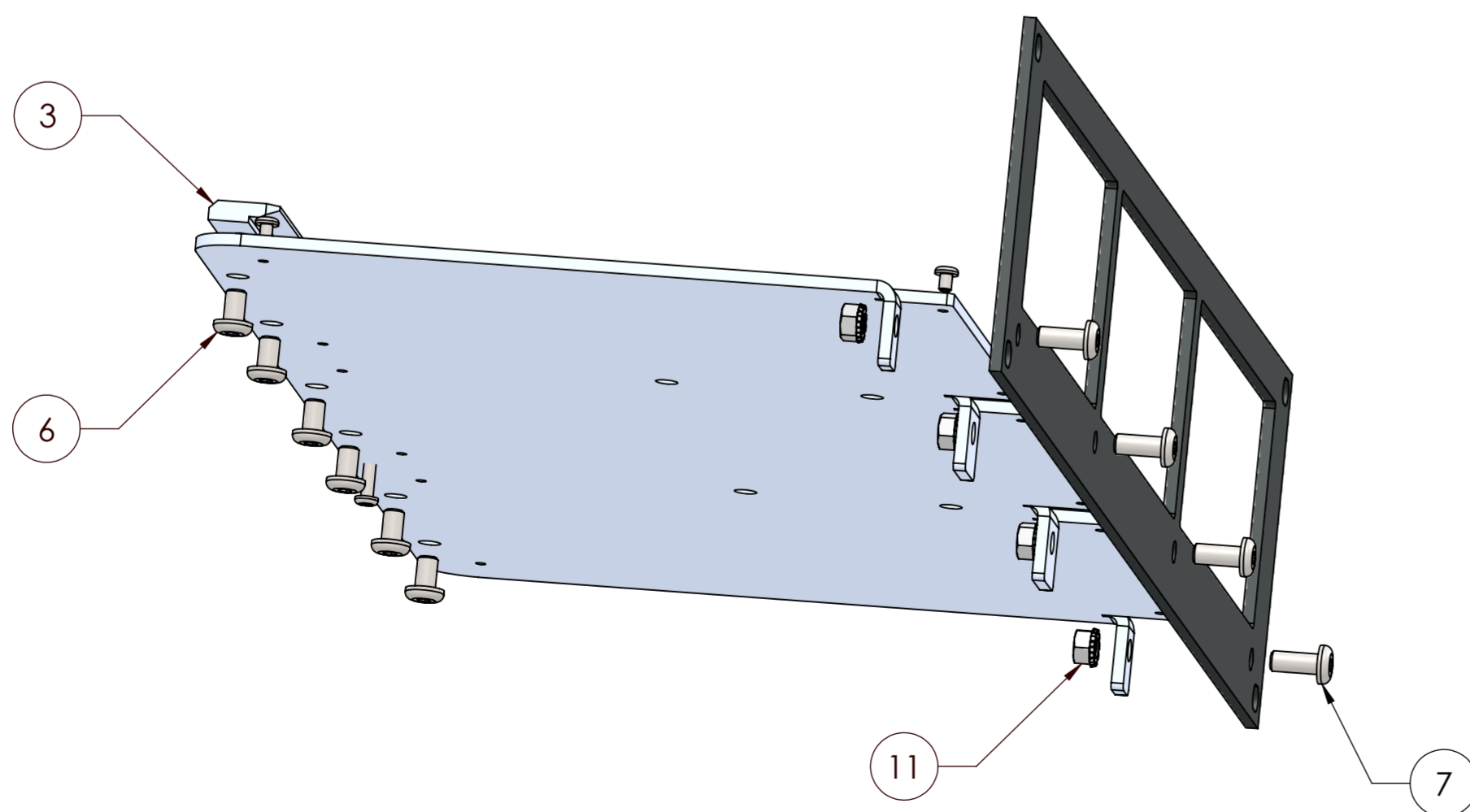
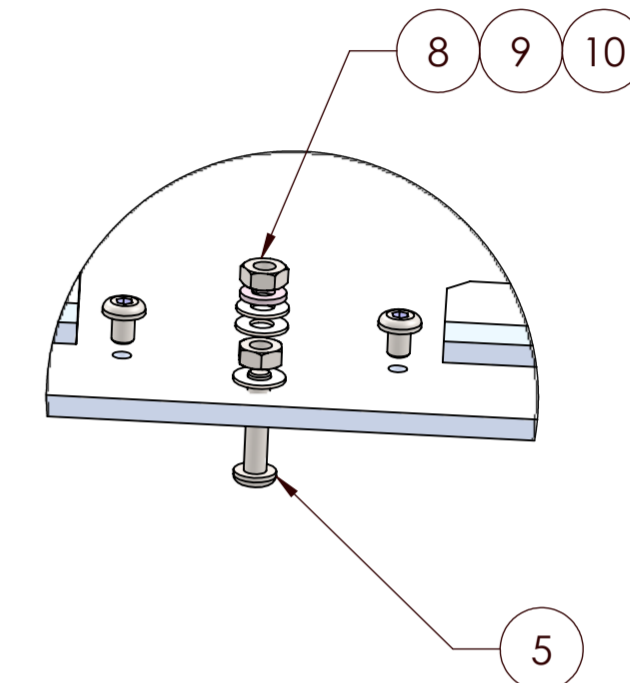
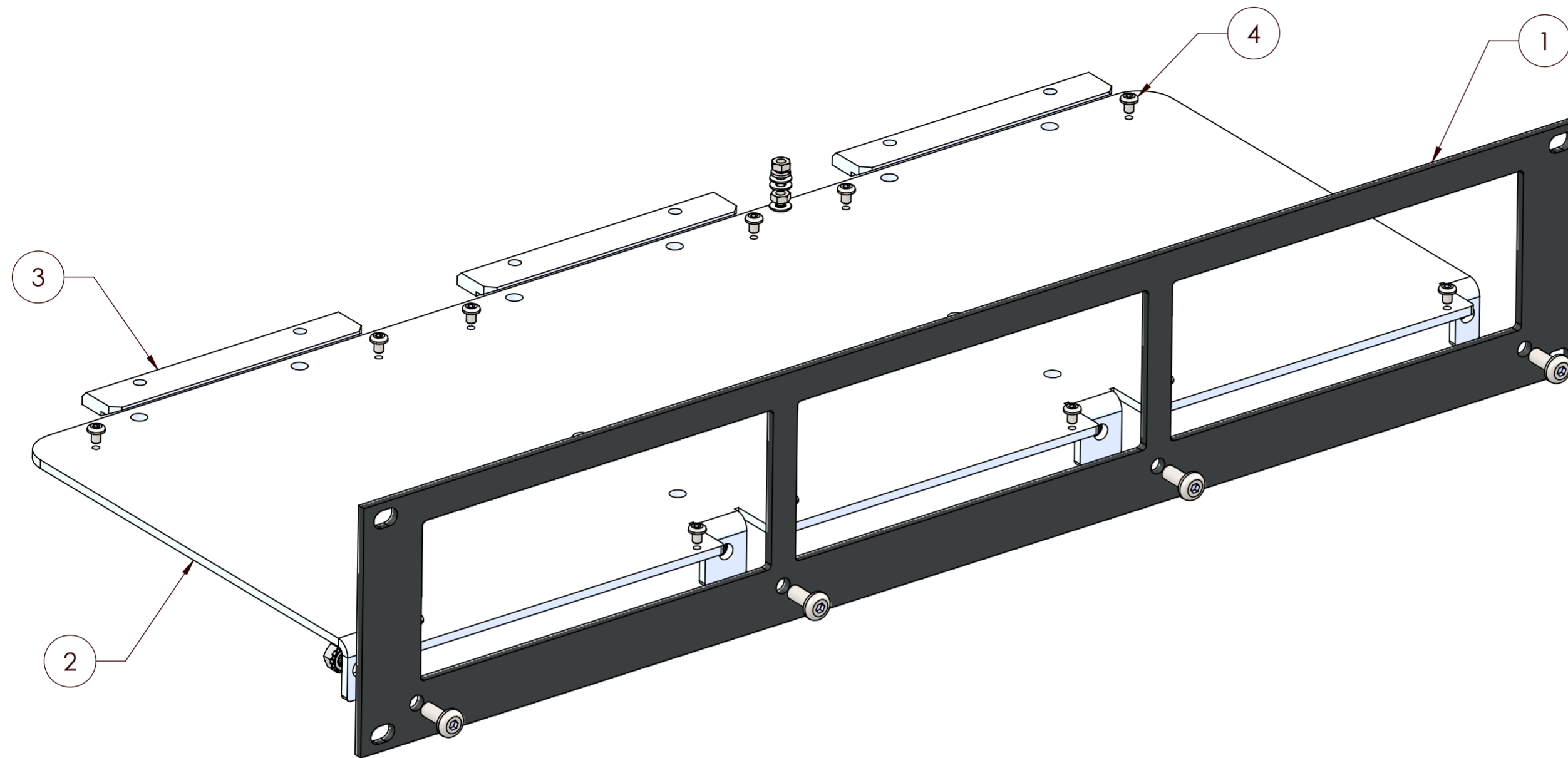
3

2

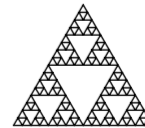
1

PROPRIETARY
 THIS DRAWING CONTAINS CONFIDENTIAL INFORMATION
 PROPRIETARY TO PYRAMID TECHNICAL CONSULTANTS INC (PTC).
 IT MUST NOT BE REPRODUCED OR DISCLOSED TO OTHERS
 OR USED IN ANY OTHER WAY, IN WHOLE OR IN PART,
 EXCEPT AS AUTHORIZED IN WRITING BY PTC.

REVISIONS				
REV	DESCRIPTION	DRAFT	DATE	APPROVED
A	INITIAL RELEASE			



11	4		KEPS NUT, M5, SS, McM-C 93823A222
10	1		SPLIT LOCK WASHER, SS, M3
9	3		FLAT WASHER, SS, M3
8	2		HEX NUT, SS, M3
7	4		BHCS, SS, M5 X 12
6	6		BHCS, SS, M5 X 8
5	1		BHCS, SS, M3 X 14
4	12		BHCS, SS, M3 X 4
3	3	17238430 B	STOP BAR, APX RACK
2	1	17238420 B	BASE PANEL, APX RACK
1	1	17238410 A	FRONT PANEL, APX RACK

ITEM NO.	QTY.	PART NUMBER	DESCRIPTION
DRAWN	DATE	DO NOT SCALE FROM DRAWING DIMENSIONS IN mm TOLERANCES UNLESS OTHERWISE SPECIFIED:	
LE, KIM HOI	05SEP2023		
CHECK	DATE	 PYRAMID Technical Vietnam <small>Lot 11, Area B2-3, Truong Quoc Dung Street, Noi Hien Dong Ward, Son Tra District, Da Nang City, Viet Nam TEL: (84)935051905. www.ptcusd.com</small>	
A. DART	05SEP2023		
ENGINEERING	DATE	LINEAR	mm
LE, KIM HOI	05SEP2023	X.XXX	+0.03
		X.XX	+0.1
		X.X	+0.3
		X	+1
		DEG.	+0.5
		FINISH	1.6
APX RACK		THIRD ANGLE PROJECTION	
NEXT ASSY	SYSTEM	SIZE	DRAWING NO.
		A2	88202770
SOFTWARE: SOLIDWORKS 2022		SCALE	WT kg
		2:3	
		SHEET 1 OF 2	

4

3

2

1

4

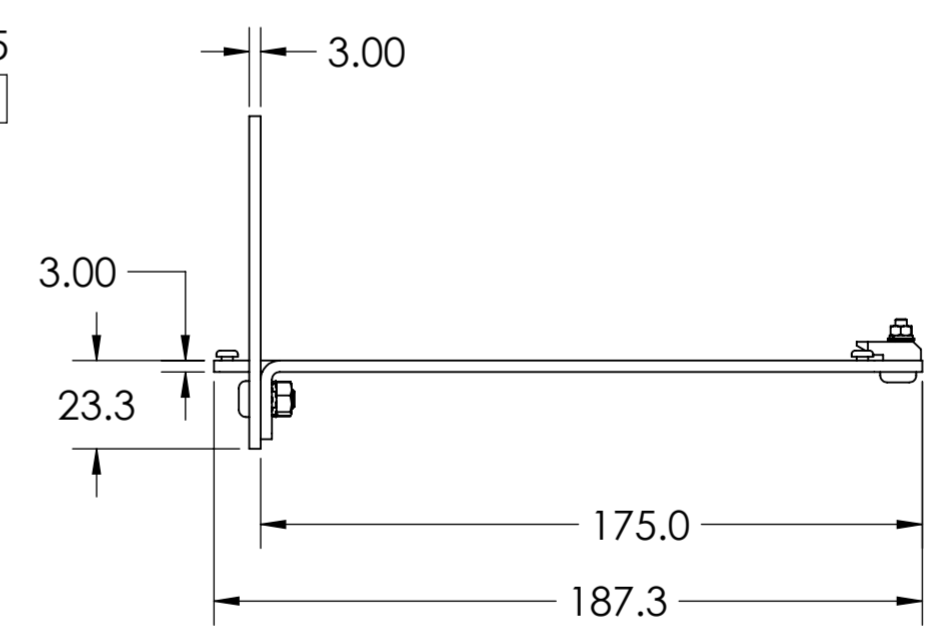
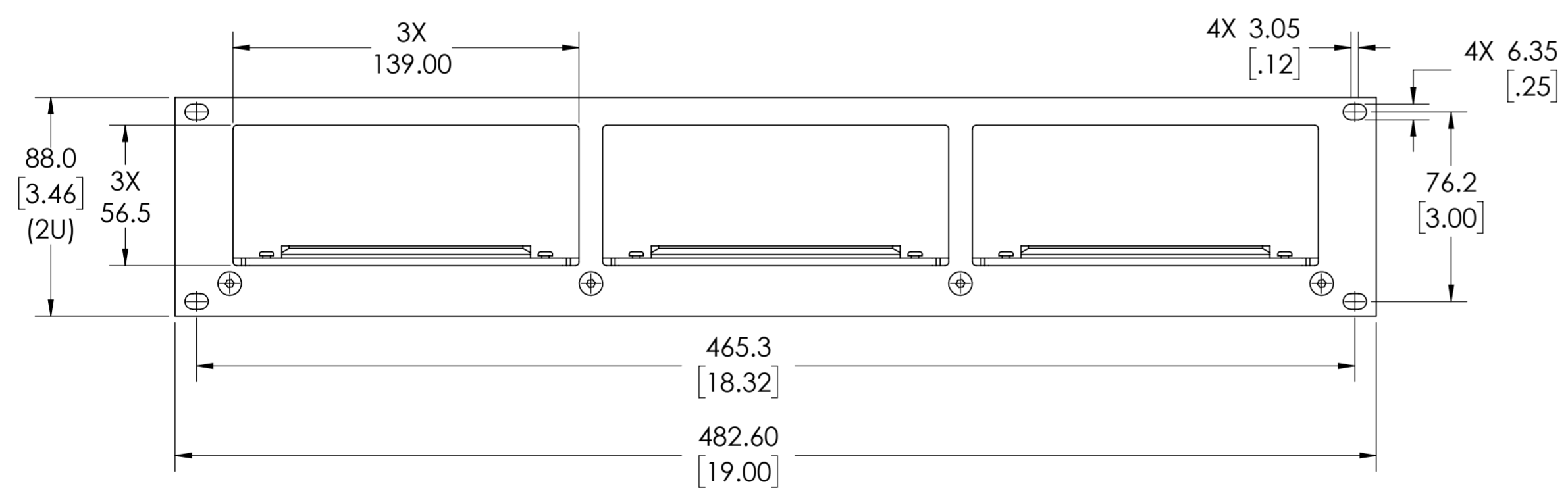
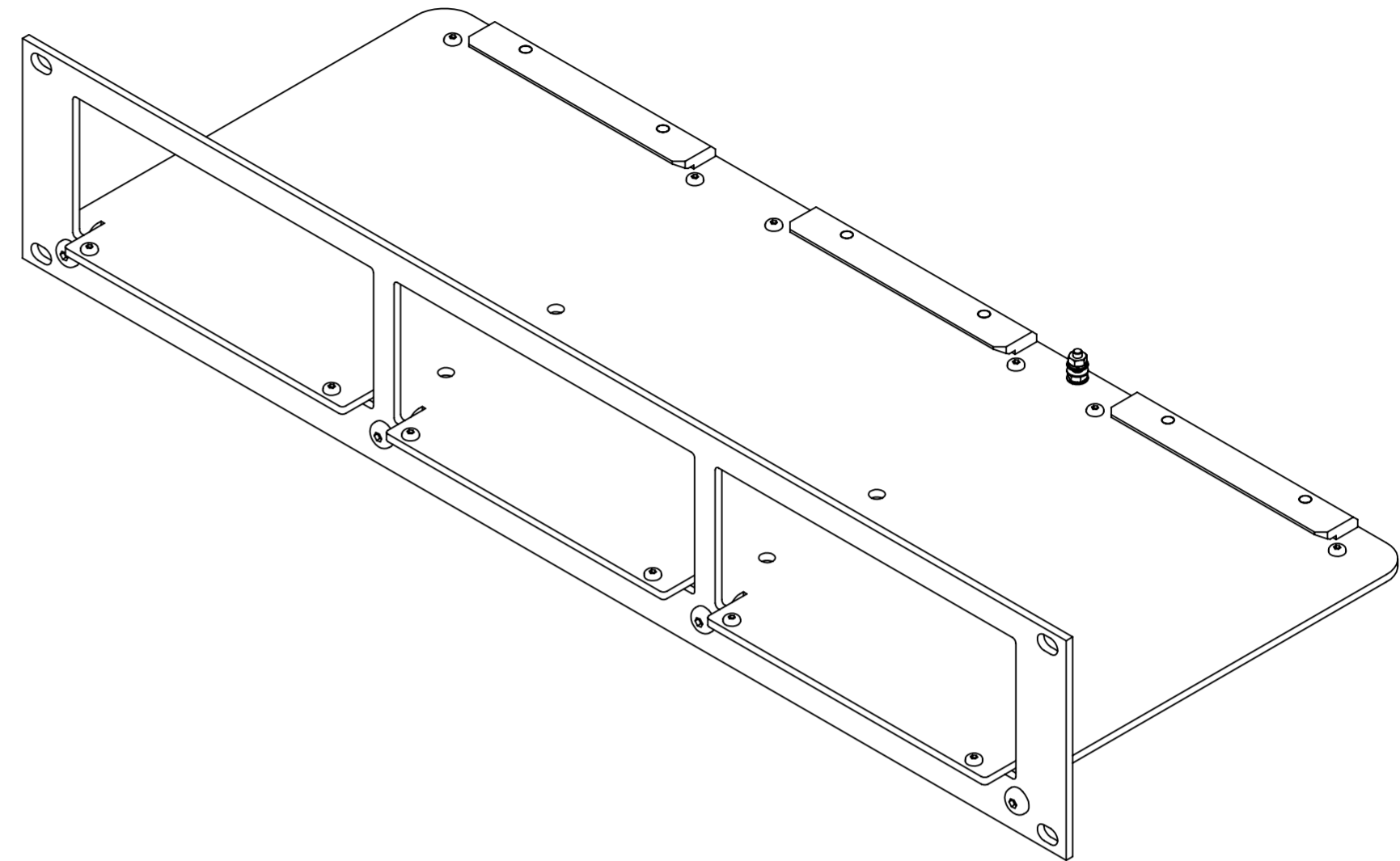
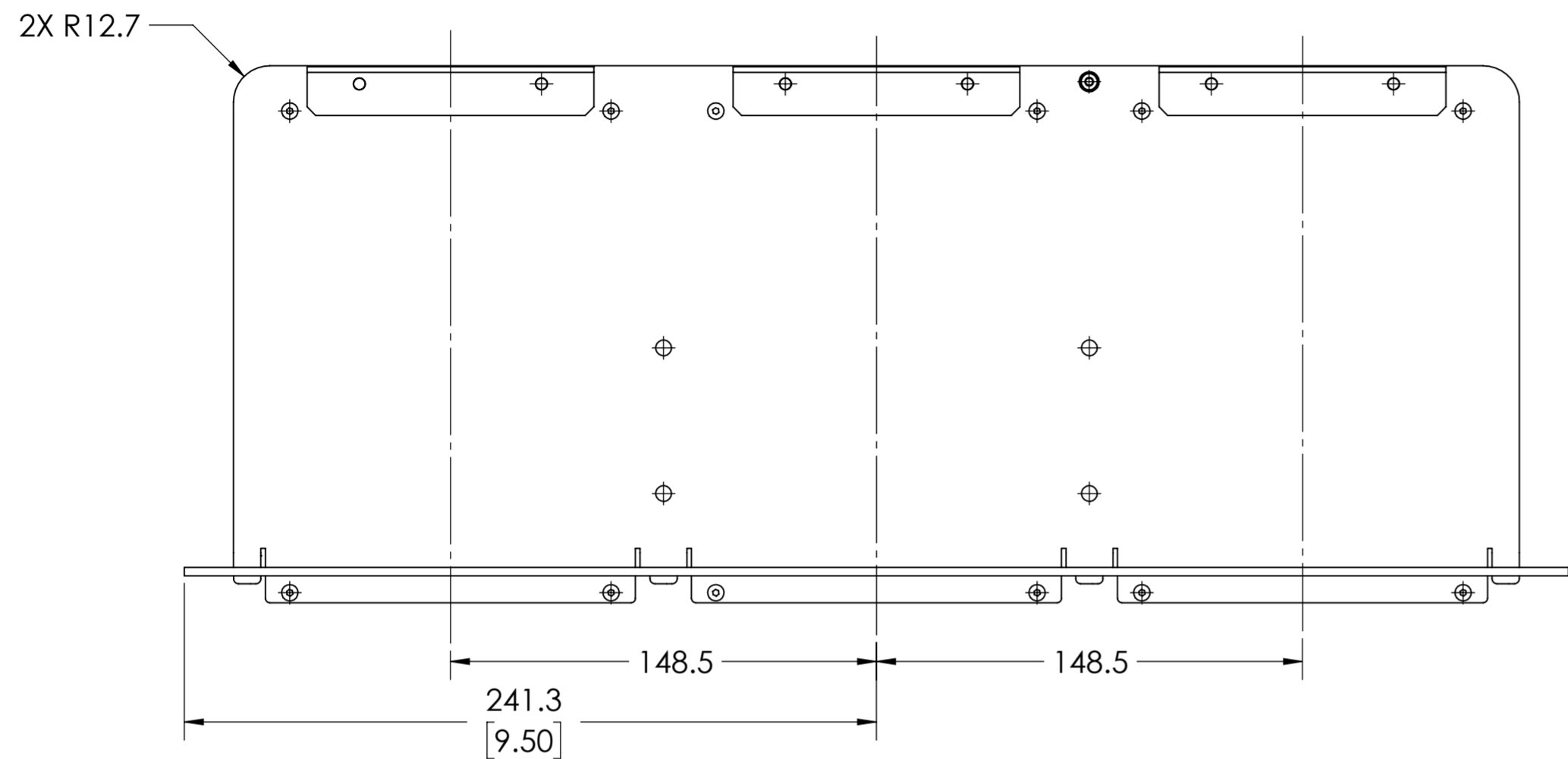
3

2

1

PROPRIETARY
 THIS DRAWING CONTAINS CONFIDENTIAL INFORMATION
 PROPRIETARY TO PYRAMID TECHNICAL CONSULTANTS INC (PTC).
 IT MUST NOT BE REPRODUCED OR DISCLOSED TO OTHERS
 OR USED IN ANY OTHER WAY, IN WHOLE OR IN PART,
 EXCEPT AS AUTHORIZED IN WRITING BY PTC.

REVISIONS				
REV	DESCRIPTION	DRAFT	DATE	APPROVED
A	INITIAL RELEASE			



DRAWN A. DART	DATE 05SEP2023
CHECK A. DART	DATE 05SEP2023
ENGINEERING LE, KIM HOI	DATE 05SEP2023
NEXT ASSY	SYSTEM
SOFTWARE: SOLIDWORKS 2022	

DO NOT SCALE FROM DRAWING	
DIMENSIONS IN mm	
TOLERANCES UNLESS OTHERWISE SPECIFIED:	
LINEAR	mm
X.XXX	+0.03
X.XX	+0.1
X.X	+0.3
X	+1
DEG.	+0.5
FINISH	1.6
THIRD ANGLE PROJECTION	



TITLE APX SHELF, 2U		
SIZE A2	DRAWING NO. 88202770	REV A
SCALE 1:1	WT 1.0 kg	SHEET 2 OF 2

4

3

2

1