

Bi-directional Optical to TTL Converter



Features

- Converts fiber-optic signals to TTL, and TTL to fiber-optic
- Selectable polarity
- Compact package
- Choice of ST bayonet or Versatile Link push-fit fiber optic connectors

Applications

- Trigger and logic level signal delivery in distributed systems
- High voltage isolation
- General-purpose signal conversion

Specifications

Fiber-optic input	Broadcom (Avago) HFBR-2515BZ (ST bayonet) or HFBR-2528Z (Versatile Link) receiver, 650 nm light (red)
TTL output	TTL levels into 50 ohms. Polarity switch-selectable for the output to be the same or inverted relative to the fiber-optic input.
TTL input	TTL levels, input impedance high (> 1 Mohm) or 50 ohm, internal jumper selectable.
Fiber optic output	Broadcom (Avago) HFBR 1515BZ (ST bayonet) or HFBR-1528Z (Versatile Link) transmitter, 650 nm light (red). Polarity switch-selectable for output to be the same or inverted relative to the TTL input.
Propagation delay	<= 50 nsec optical to TTL <= 50 nsec TTL to optical
Power input	+24 +/- VDC, 100 mA max. Fused 1.1 A.
Polarity switches	Independent toggle switches for optical to TTL, and TTL to optical.
Case	Stainless steel sheet with mounting flange, IP43.
Weight	0.20 kg (0.44 lb)



Specifications (continued)

Operating environment	10 to 35C, < 80% humidity, non-condensing, vibration < 0.2 g all axes, 1 to 100Hz
Storage environment	0 to 50C, < 80% humidity, non-condensing, vibration < 2g all axes, 1 to 100Hz

Connectors

Fiber optics (default)	ST bayonet, dark gray (receiver), light gray (transmitter)
Fiber optics (option)	Versatile Link push-fit, dark gray (receiver), light gray (transmitter)



TTL	BNC jacks 50 ohm, two. Signal on core.
24 VDC input	2.1 mm threaded jack. Mate with Switchcraft S761K or equivalent. Pin: +24 VDC; Shell: 0V
Ground	Case grounded via mounting flange

Ordering information

X22-ST	Bi-directional Optical to TTL converter, ST bayonet fiber optic connectors (default)
X22-VL	Bi-directional Optical to TTL converter, Versatile link fiber optic connectors (build-time option)
MTG-DIN35-7662	DIN rail mounting adaptor
PSU24-25-1	Universal 24 VDC power supply, medical rated, 25 W, C8 line inlet, Switchcraft S761 threaded jack outlet.

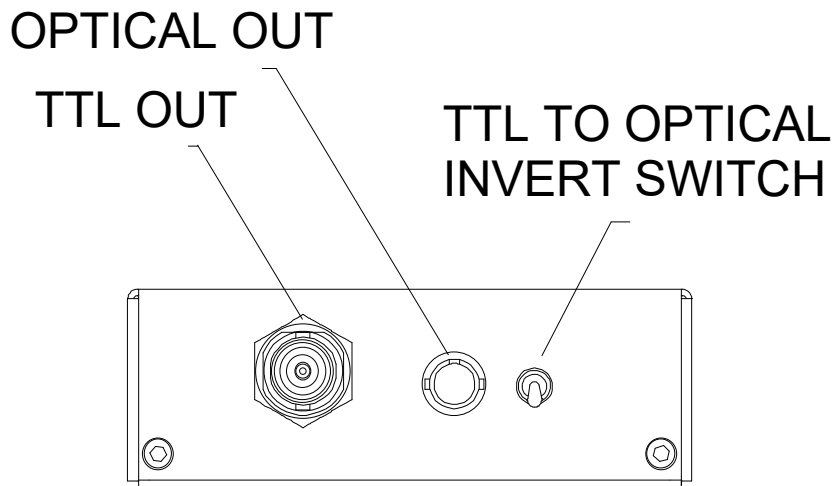
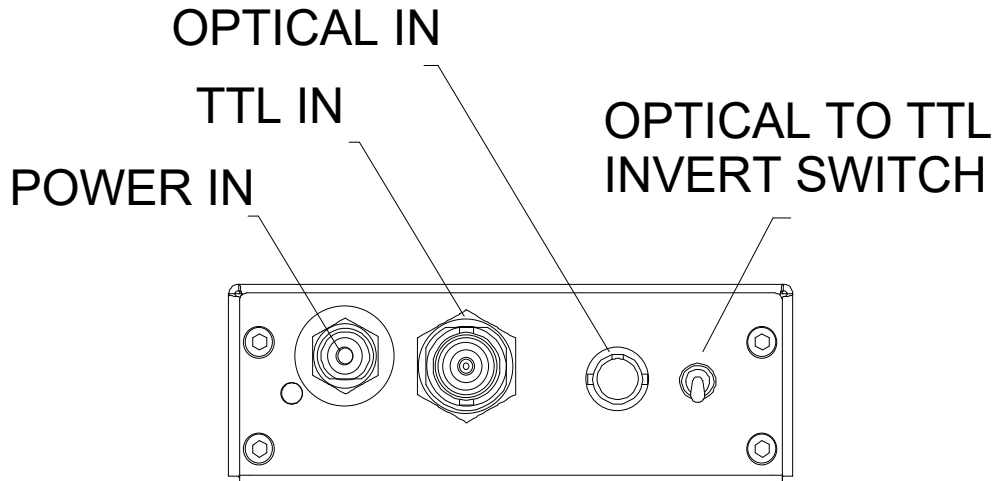
Pyramid Technical Consultants, Inc.,
 135 Beaver Street Suite 102
 Waltham MA 02452 USA
 Tel: +1 781 402 1700 (USA),
 +44 1273 492002 (UK)
 Email: support@ptcusa.com www.ptcusa.com

The information herein is believed accurate at time of publication, but no specific warranty is given regarding its use. All specifications are subject to change. Trademarks and copyright acknowledged.

X22_DS_210802



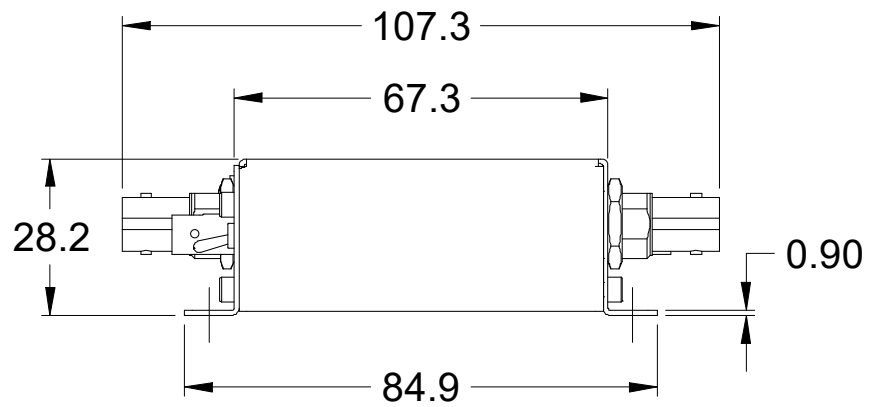
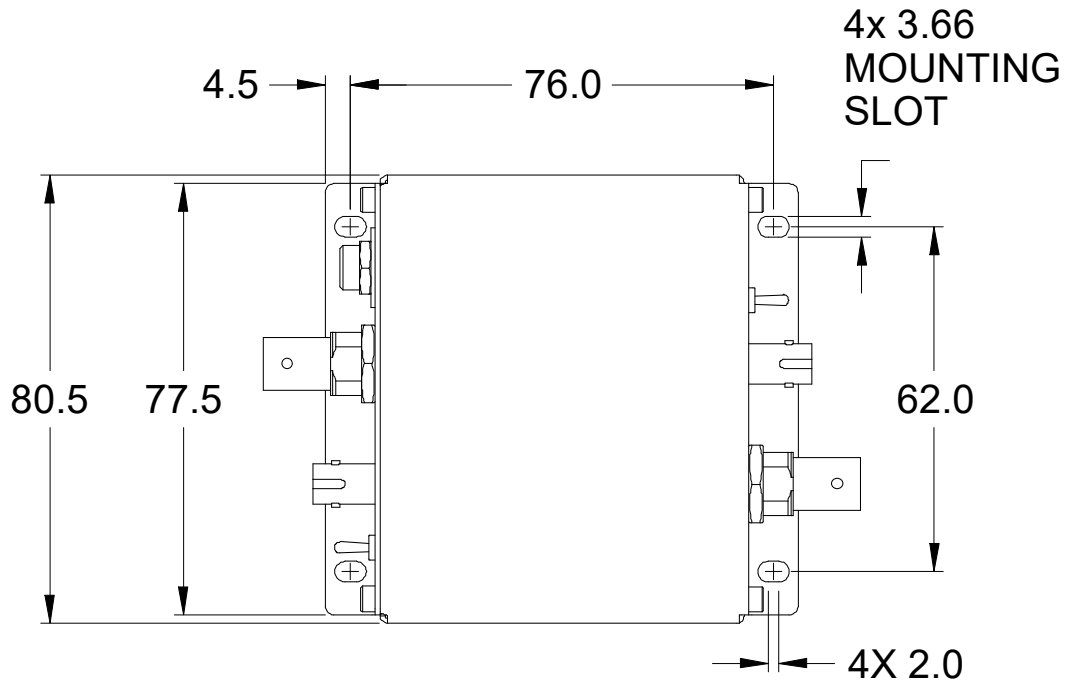
X22-ST



Dims mm



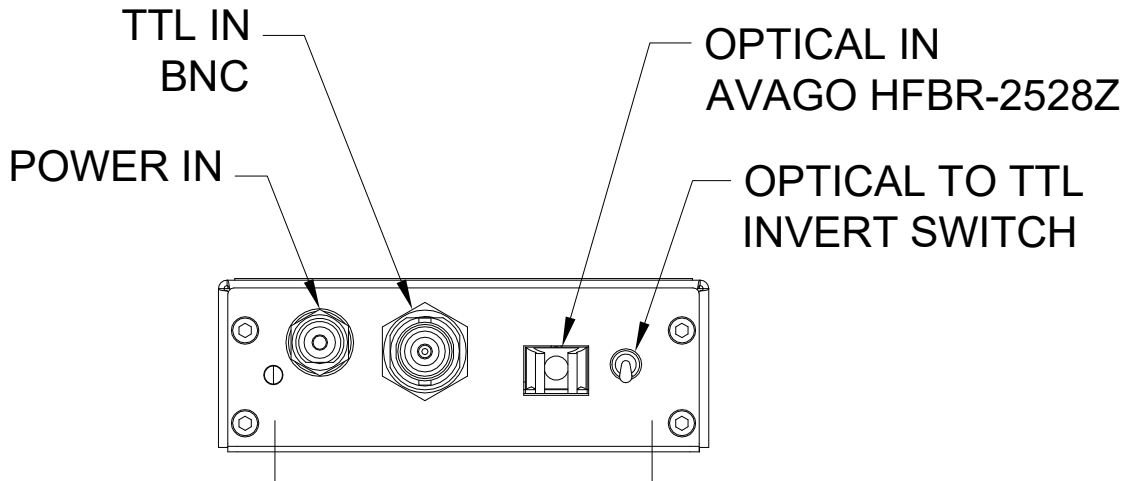
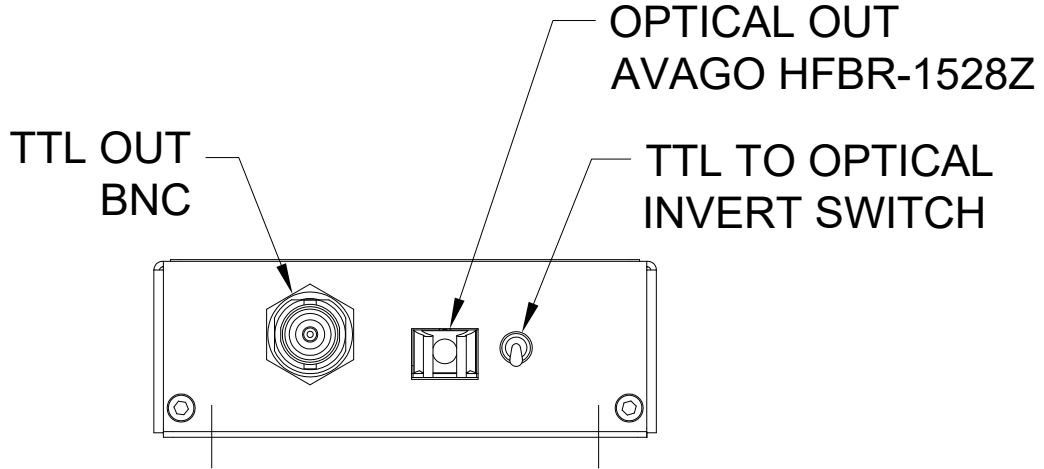
X22-ST



Dims mm



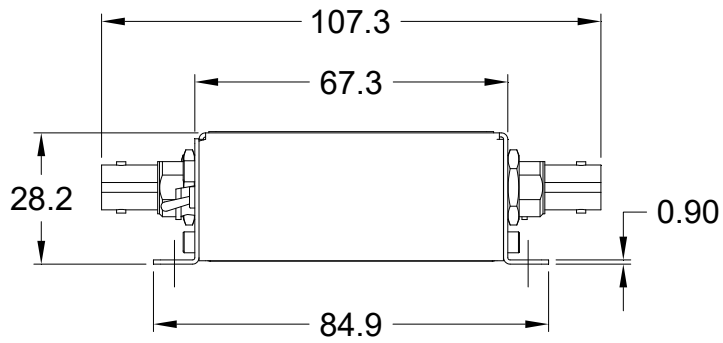
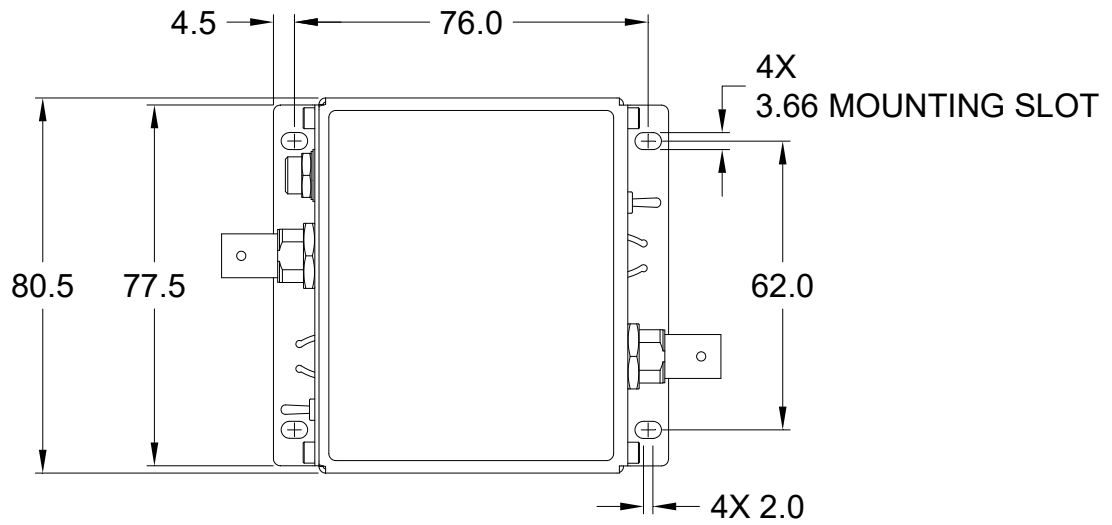
X22-VL



Dims mm



X22-VL



Dims mm

