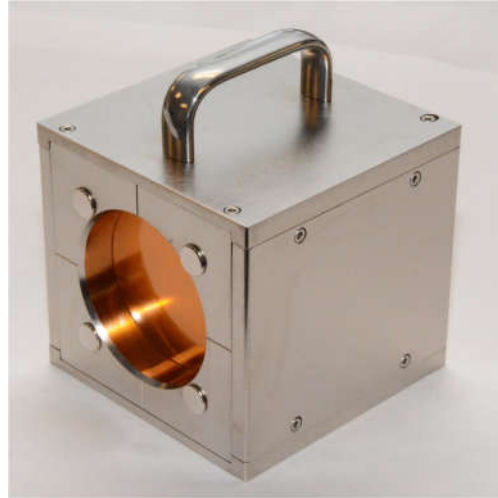


**Multilayer Faraday Collector
30 - 125 MeV version**

Features

- Independent and absolute beam energy measurement
- Total beam current measurement
- Proton energies from 30 to > 125 MeV
- Compact, fully-screened design
- 128 high-precision beam collection plates
- 72 mm diameter sensitive area
- No vacuum system or HV bias required
- Compatible with I128S, I128 and I6400 readout electronics
- Each unit individually calibrated based on measured plate areas and weights



Applications

- Particle therapy pencil beam quality assurance
- Accelerator development
- Particle therapy system commissioning
- General high energy ion beam diagnostics

Specifications

Beam compatibility	
Species	Protons
Energy range	30 MeV to 125 MeV
Beam current density range	Up to 50 nA cm ⁻² (particle current)
Sensor	
Type	128-layer Faraday collector
Collector plates	Copper-clad with gold flashing on FR4 layers 0.508 mm thickness insulated by 76 µm Kapton™ interlayers.
Sensitive area	72 mm nominal diameter, suitable for protons beams with Gaussian lateral distribution sigma up to 10-12 mm.



Mechanical	
Insertion length	120 mm
Overall size	120 mm by 120 mm by 145 mm approx including handle (see figures)
Weight	3.0 kg (6.6 lb) .
Operating environment	Clean and dust-free, 0 to 35 C (15 to 25 C recommended , < 70% humidity, non-condensing, vibration < 0.1g all axes (1 to 50 Hz)
Shipping and storage environment	-10 to 50 C, < 80% humidity, non-condensing, vibration < 2g all axes, 1 to 100 Hz

Readout	
Compatible electronics	I128S (one per MLFC-128-125), I128 (one per MLFC-128-125), I6400 (two per MLFC-128).
Cable adaptation	Required for I128 or I6400 electronics. Not required for I128S electronics. Adaptor available from two 68-way VHDCI-terminated cables to four 44-way HD44-terminated cables (ADAP-2VH68-4HD44M).
Software	Windows host software application included with MLFC-128-125 system orders providing direct readout of beam energy, energy spread and total current using device-specific calibration tables.



Connectors																																																																																																																																																	
Strip readout	<p>Two Centronics VHDCI 68 way receptacle (SCPI-style). Gold-plated contacts. Mating connector Molex VHDCI 0.8MM plug.</p> <p>VHDCI # 1 Plates 1 to 64</p> <table border="1"> <thead> <tr> <th colspan="4">Top row</th> <th colspan="4">Bottom row</th> </tr> </thead> <tbody> <tr><td>1</td><td>Chassis</td><td>18</td><td>Plate 16</td><td>35</td><td>Chassis</td><td>52</td><td>Plate 48</td></tr> <tr><td>2</td><td>Plate 32</td><td>19</td><td>Plate 15</td><td>36</td><td>Plate 64</td><td>53</td><td>Plate 46</td></tr> <tr><td>3</td><td>Plate 31</td><td>20</td><td>Plate 14</td><td>37</td><td>Plate 63</td><td>54</td><td>Plate 46</td></tr> <tr><td>4</td><td>Plate 30</td><td>21</td><td>Plate 13</td><td>38</td><td>Plate 62</td><td>55</td><td>Plate 45</td></tr> <tr><td>5</td><td>Plate 29</td><td>22</td><td>Plate 12</td><td>39</td><td>Plate 61</td><td>56</td><td>Plate 44</td></tr> <tr><td>6</td><td>Plate 28</td><td>23</td><td>Plate 11</td><td>40</td><td>Plate 60</td><td>57</td><td>Plate 43</td></tr> <tr><td>7</td><td>Plate 27</td><td>24</td><td>Plate 10</td><td>41</td><td>Plate 59</td><td>58</td><td>Plate 42</td></tr> <tr><td>8</td><td>Plate 26</td><td>25</td><td>Plate 09</td><td>42</td><td>Plate 58</td><td>59</td><td>Plate 41</td></tr> <tr><td>9</td><td>Plate 25</td><td>26</td><td>Plate 08</td><td>43</td><td>Plate 57</td><td>60</td><td>Plate 40</td></tr> <tr><td>10</td><td>Plate 24</td><td>27</td><td>Plate 07</td><td>44</td><td>Plate 56</td><td>61</td><td>Plate 39</td></tr> <tr><td>11</td><td>Plate 23</td><td>28</td><td>Plate 06</td><td>45</td><td>Plate 55</td><td>62</td><td>Plate 38</td></tr> <tr><td>12</td><td>Plate 22</td><td>29</td><td>Plate 05</td><td>46</td><td>Plate 54</td><td>63</td><td>Plate 37</td></tr> <tr><td>13</td><td>Plate 21</td><td>30</td><td>Plate 04</td><td>47</td><td>Plate 53</td><td>64</td><td>Plate 36</td></tr> <tr><td>14</td><td>Plate 20</td><td>31</td><td>Plate 03</td><td>48</td><td>Plate 52</td><td>65</td><td>Plate 35</td></tr> <tr><td>15</td><td>Plate 19</td><td>32</td><td>Plate 02</td><td>49</td><td>Plate 51</td><td>66</td><td>Plate 34</td></tr> <tr><td>16</td><td>Plate 18</td><td>33</td><td>Plate 01</td><td>50</td><td>Plate 50</td><td>67</td><td>Plate 33</td></tr> <tr><td>17</td><td>Plate 17</td><td>34</td><td>Chassis</td><td>51</td><td>Plate 49</td><td>68</td><td>Chassis</td></tr> </tbody> </table> <p>Pins connected to chassis do so via 0R resistors. Connector shell is common with MLFC body.</p>	Top row				Bottom row				1	Chassis	18	Plate 16	35	Chassis	52	Plate 48	2	Plate 32	19	Plate 15	36	Plate 64	53	Plate 46	3	Plate 31	20	Plate 14	37	Plate 63	54	Plate 46	4	Plate 30	21	Plate 13	38	Plate 62	55	Plate 45	5	Plate 29	22	Plate 12	39	Plate 61	56	Plate 44	6	Plate 28	23	Plate 11	40	Plate 60	57	Plate 43	7	Plate 27	24	Plate 10	41	Plate 59	58	Plate 42	8	Plate 26	25	Plate 09	42	Plate 58	59	Plate 41	9	Plate 25	26	Plate 08	43	Plate 57	60	Plate 40	10	Plate 24	27	Plate 07	44	Plate 56	61	Plate 39	11	Plate 23	28	Plate 06	45	Plate 55	62	Plate 38	12	Plate 22	29	Plate 05	46	Plate 54	63	Plate 37	13	Plate 21	30	Plate 04	47	Plate 53	64	Plate 36	14	Plate 20	31	Plate 03	48	Plate 52	65	Plate 35	15	Plate 19	32	Plate 02	49	Plate 51	66	Plate 34	16	Plate 18	33	Plate 01	50	Plate 50	67	Plate 33	17	Plate 17	34	Chassis	51	Plate 49	68	Chassis
Top row				Bottom row																																																																																																																																													
1	Chassis	18	Plate 16	35	Chassis	52	Plate 48																																																																																																																																										
2	Plate 32	19	Plate 15	36	Plate 64	53	Plate 46																																																																																																																																										
3	Plate 31	20	Plate 14	37	Plate 63	54	Plate 46																																																																																																																																										
4	Plate 30	21	Plate 13	38	Plate 62	55	Plate 45																																																																																																																																										
5	Plate 29	22	Plate 12	39	Plate 61	56	Plate 44																																																																																																																																										
6	Plate 28	23	Plate 11	40	Plate 60	57	Plate 43																																																																																																																																										
7	Plate 27	24	Plate 10	41	Plate 59	58	Plate 42																																																																																																																																										
8	Plate 26	25	Plate 09	42	Plate 58	59	Plate 41																																																																																																																																										
9	Plate 25	26	Plate 08	43	Plate 57	60	Plate 40																																																																																																																																										
10	Plate 24	27	Plate 07	44	Plate 56	61	Plate 39																																																																																																																																										
11	Plate 23	28	Plate 06	45	Plate 55	62	Plate 38																																																																																																																																										
12	Plate 22	29	Plate 05	46	Plate 54	63	Plate 37																																																																																																																																										
13	Plate 21	30	Plate 04	47	Plate 53	64	Plate 36																																																																																																																																										
14	Plate 20	31	Plate 03	48	Plate 52	65	Plate 35																																																																																																																																										
15	Plate 19	32	Plate 02	49	Plate 51	66	Plate 34																																																																																																																																										
16	Plate 18	33	Plate 01	50	Plate 50	67	Plate 33																																																																																																																																										
17	Plate 17	34	Chassis	51	Plate 49	68	Chassis																																																																																																																																										

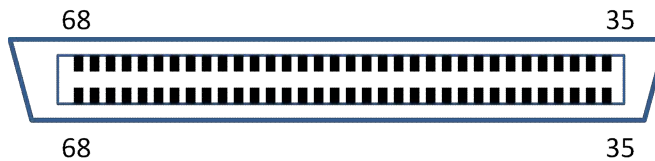


Connectors (cont)

Pixel readout (cont)

VHDCI # 2 Plates 65 to 128

Top row				Bottom row			
1	Chassis	18	Plate 80	35	Chassis	52	Plate 112
2	Plate 96	19	Plate 79	36	Plate 128	53	Plate 111
3	Plate 95	20	Plate 78	37	Plate 127	54	Plate 110
4	Plate 94	21	Plate 77	38	Plate 126	55	Plate 109
5	Plate 93	22	Plate 76	39	Plate 125	56	Plate 108
6	Plate 92	23	Plate 75	40	Plate 124	57	Plate 107
7	Plate 91	24	Plate 74	41	Plate 123	58	Plate 106
8	Plate 90	25	Plate 73	42	Plate 122	59	Plate 105
9	Plate 89	26	Plate 72	43	Plate 121	60	Plate 104
10	Plate 88	27	Plate 71	44	Plate 120	61	Plate 103
11	Plate 87	28	Plate 70	45	Plate 119	62	Plate 102
12	Plate 86	29	Plate 69	46	Plate 118	63	Plate 101
13	Plate 85	30	Plate 68	47	Plate 117	64	Plate 100
14	Plate 84	31	Plate 67	48	Plate 116	65	Plate 99
15	Plate 83	32	Plate 66	49	Plate 115	66	Plate 98
16	Plate 82	33	Plate 65	50	Plate 114	67	Plate 97
17	Plate 81	34	Chassis	51	Plate 113	68	Chassis



Pins connected to chassis do so via 0R resistors.
Connector shell is common with MLFC body.

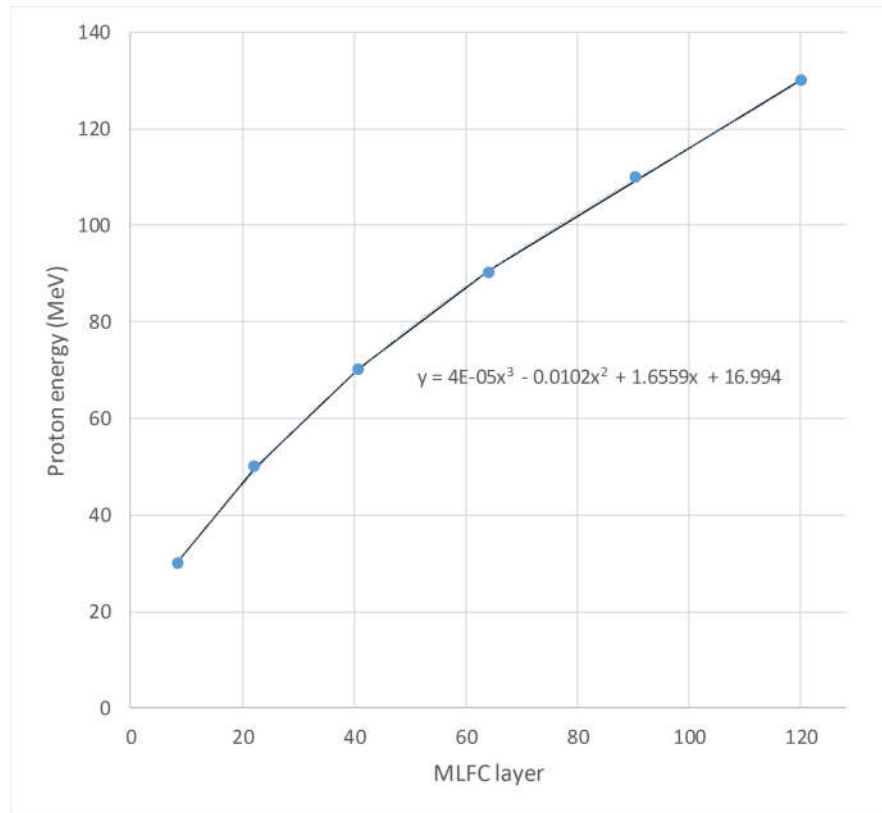


Calibration

Energy calibration

Each MLFC-128-125 is individually characterised for protons at time of manufacture based on the weights and areas of its plates plus the insulators to yield a calibration table of plate number against proton energy. The value assigned to a plate is the energy at which the mean range is halfway through the plate thickness. Intermediate energies are calculated by interpolation of the table values using a longitudinal position obtained by fitting a curve to the distribution of measured currents in the plates.

The typical shape of the calibration is as shown:



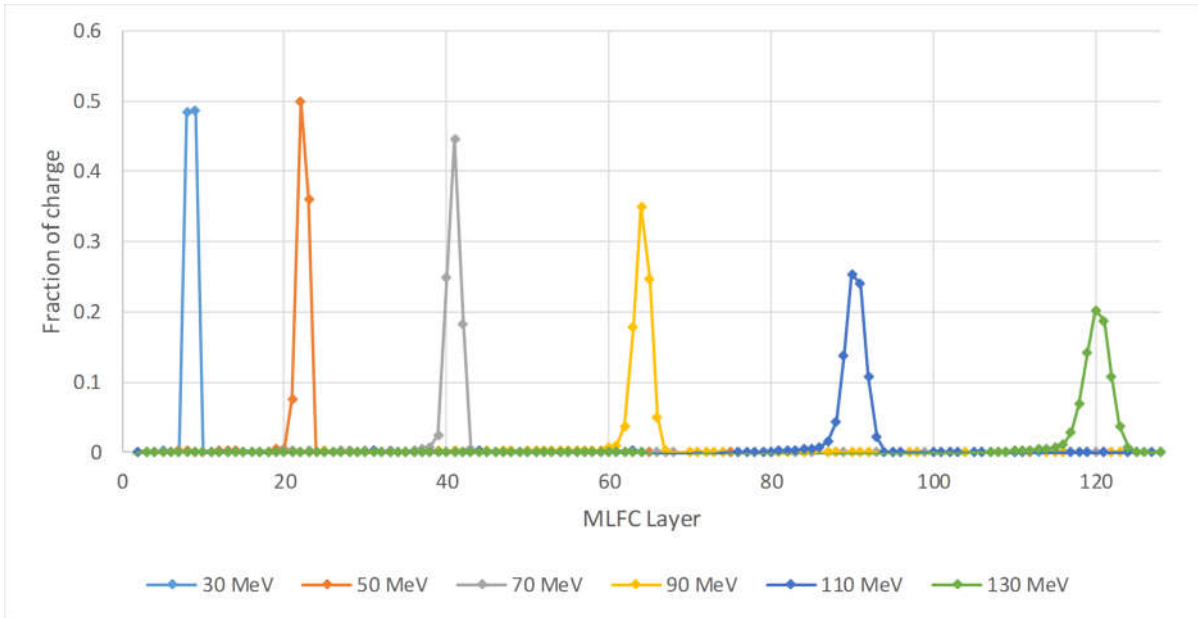
Range spread and thus energy spread is obtained by de-convolution of the known range straggling of mono-energetic protons in copper from the measured spread in range using the known range straggling of mono-energetic protons in copper.

$$\sigma_{\text{beam}} = \sqrt{(\sigma_{\text{meas}}^2 - \sigma_{\text{mono}}^2)}$$

Note: All critical dosimetry measurements must be referenced to traceable external standards, and regularly validated.

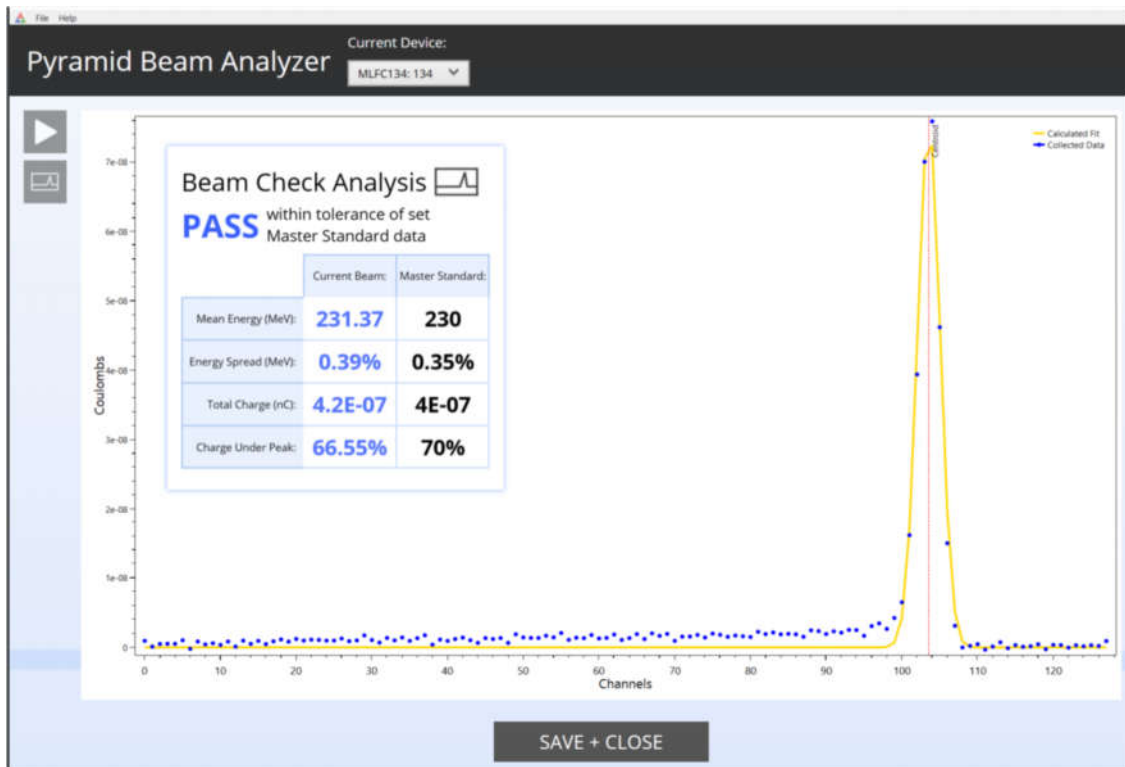


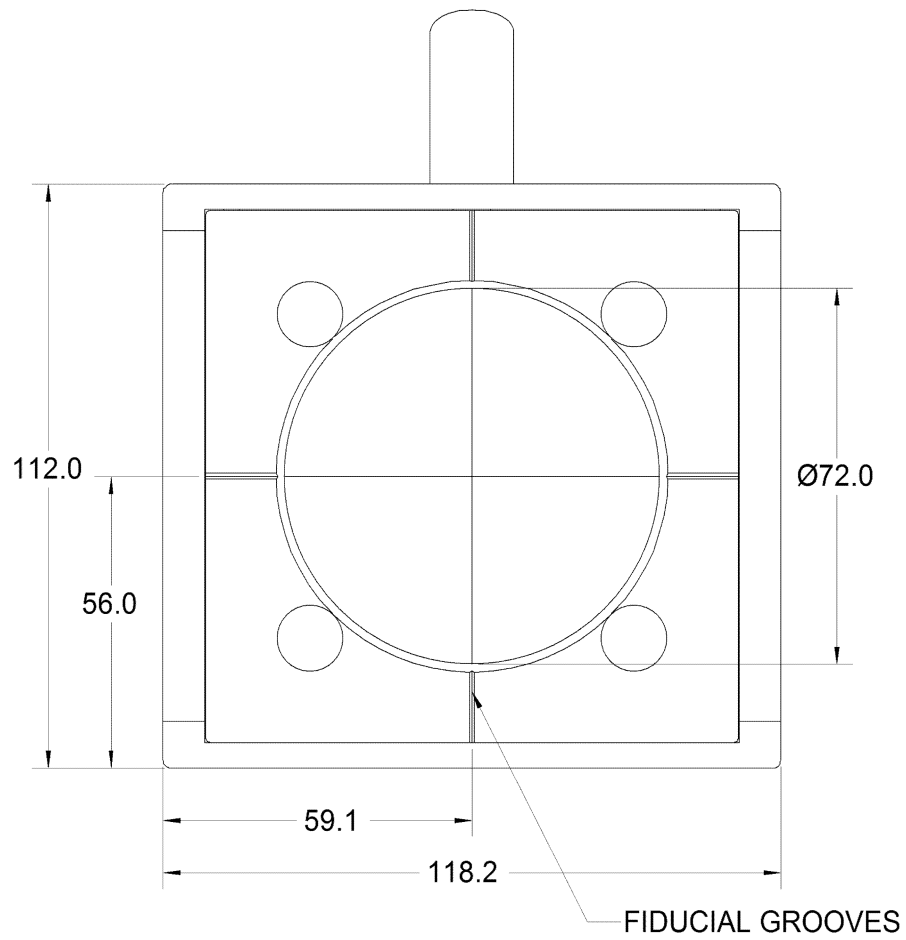
Typical spectra (monoenergetic protons, GEANT4)



Beam Analyser Software

Provided with MLFC-128-125-SYS. Energy readout and trend monitoring.



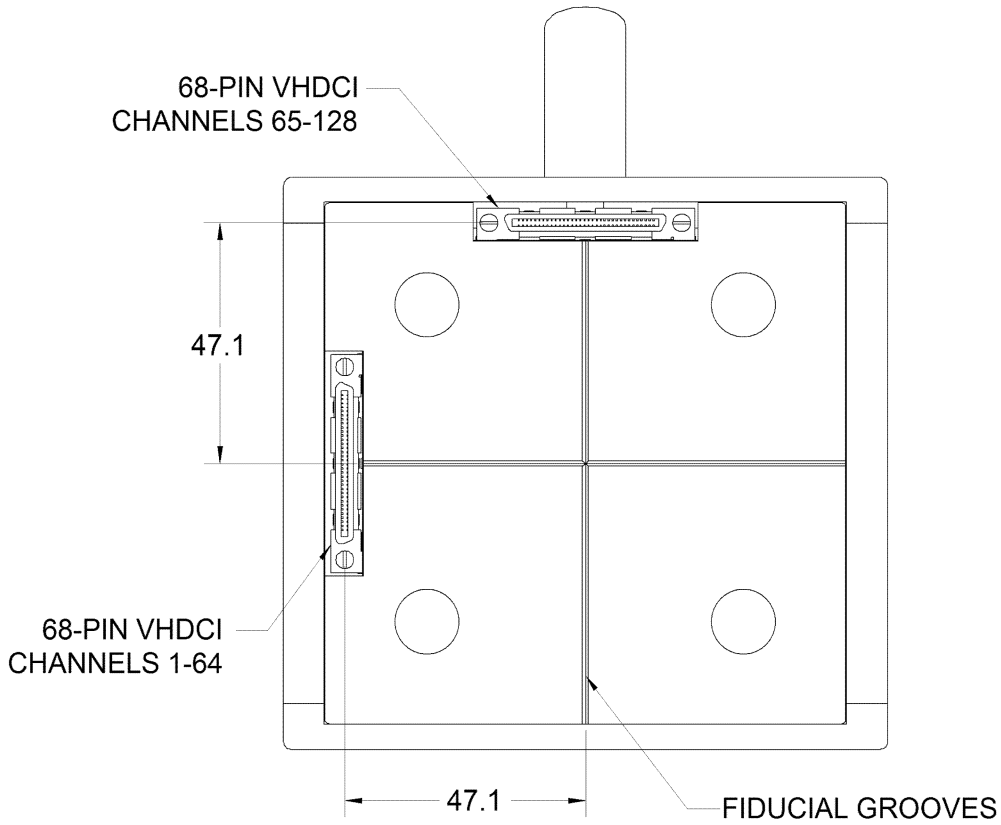


BEAM ENTRY END

Dims mm

CAUTION: The MLFC-128-125 will become activated due to exposure to high energy proton beams that it measures. This does not affect performance, and will decay over time, but the device must be radiation surveyed by an authorized person and suitably packaged before moving it out of a controlled area.



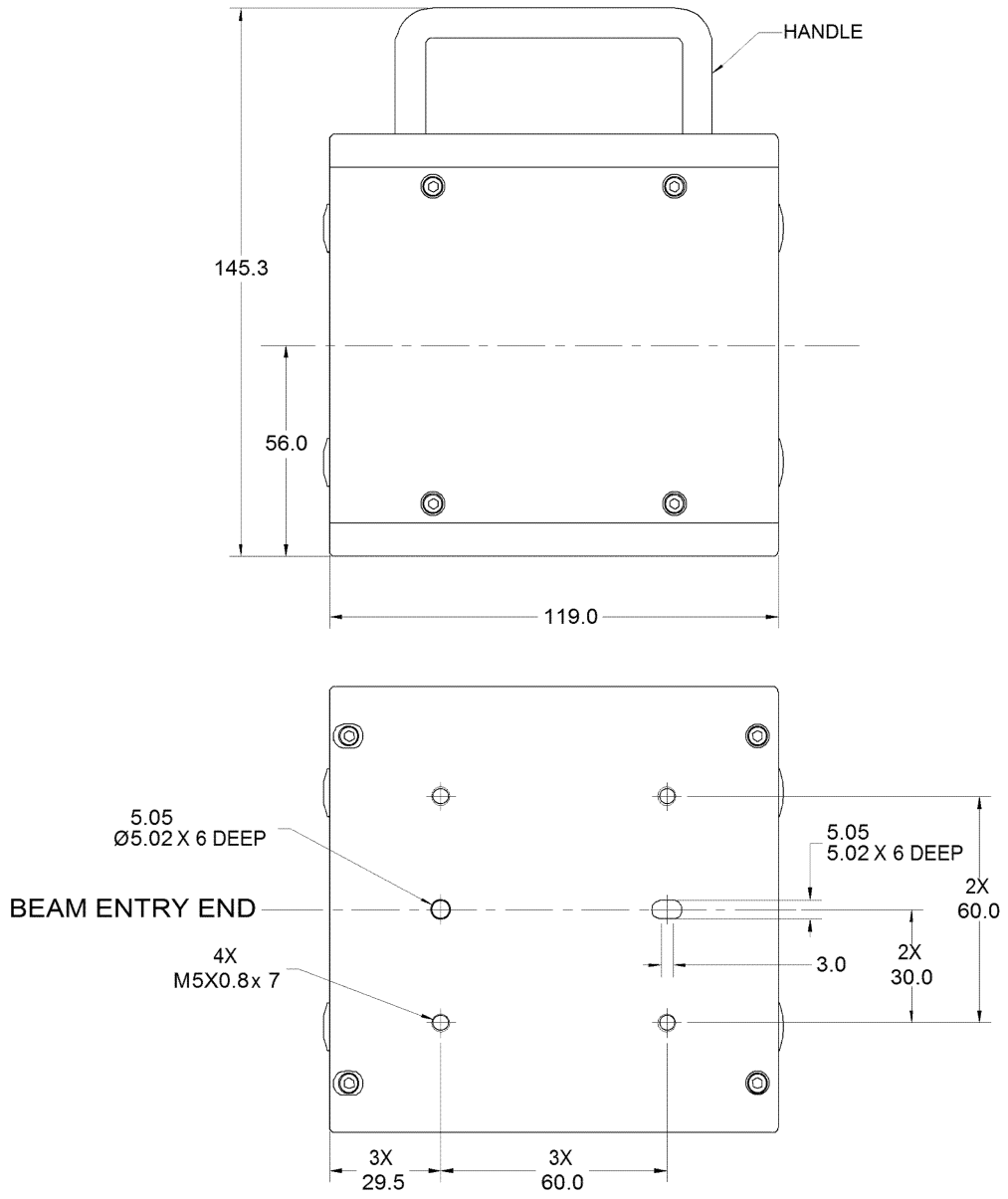


BEAM ENTRY END

Ordering information

MLFC-128-125-SYS	MLFC system comprising MLFC-128-125, I128S electrometer, two CAB-VH68-16-VH68 cables 5 m, Pyramid MLFC software. Energy calibration table for protons included.
MLFC-128-125	Multilayer Faraday Collector with 128 copper-clad FR4 layers. Energy calibration table for protons included.
-GCAL	Custom GEANT calibration for the measured layer weights and dimensions.
I128S	Electrometer, 128 channel
ADAP-2VH68-4HD44M	Adaptor, two 68-way VHDCI to four HD44 male (for I128 or I6400 readout)





Dims mm

Pyramid Technical Consultants, Inc.,
1050 Waltham Street Suite 200
Lexington MA 02421 USA
Tel: +1 781 402 1700 (USA),
+44 1273 492001(UK)
Email: support@ptcusa.com www.ptcusa.com

The information herein is believed accurate at time of publication, but no specific warranty is given regarding its use. All specifications are subject to change.
All trademarks and names acknowledged.
MLFC128-125_DS_160815

