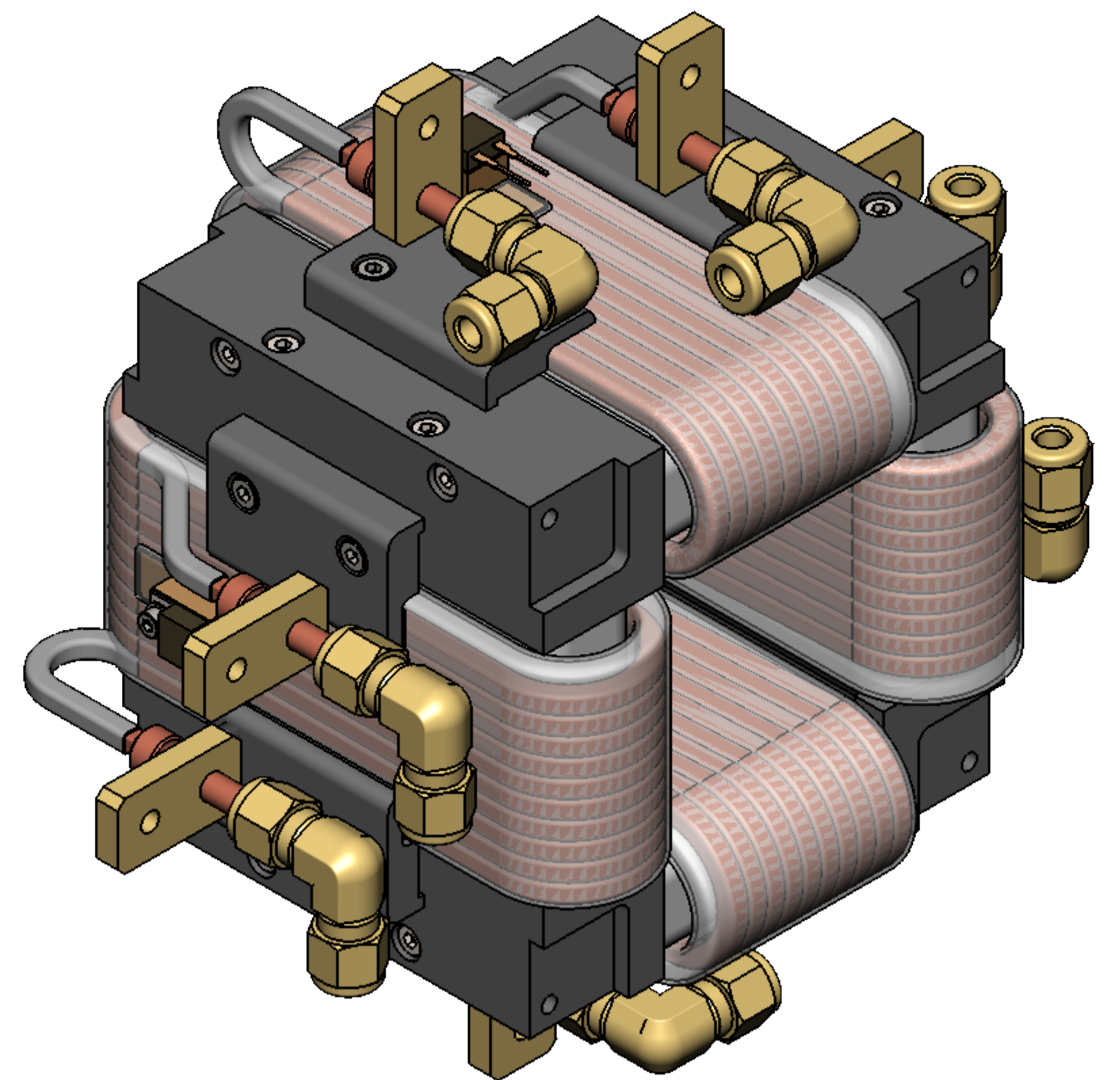
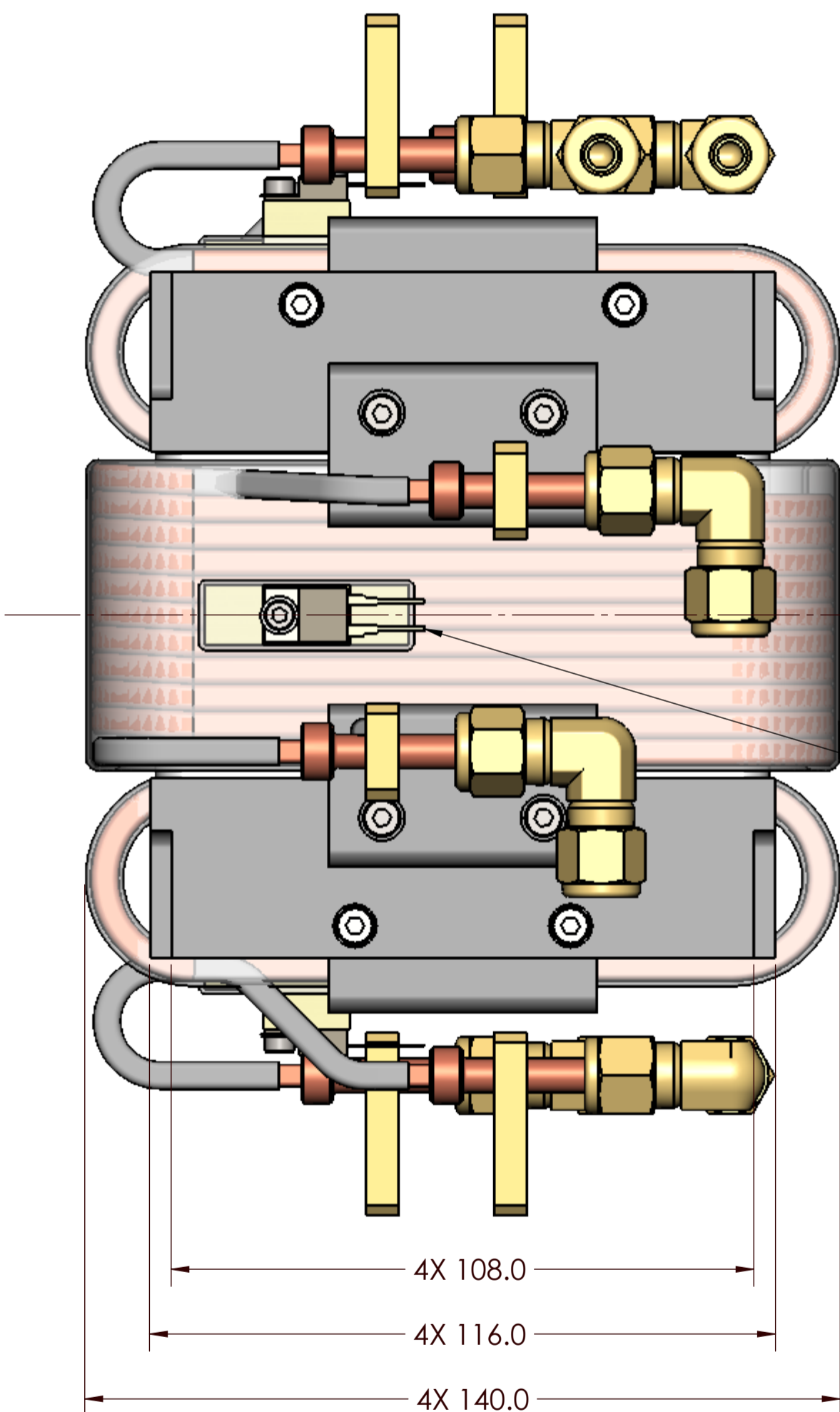
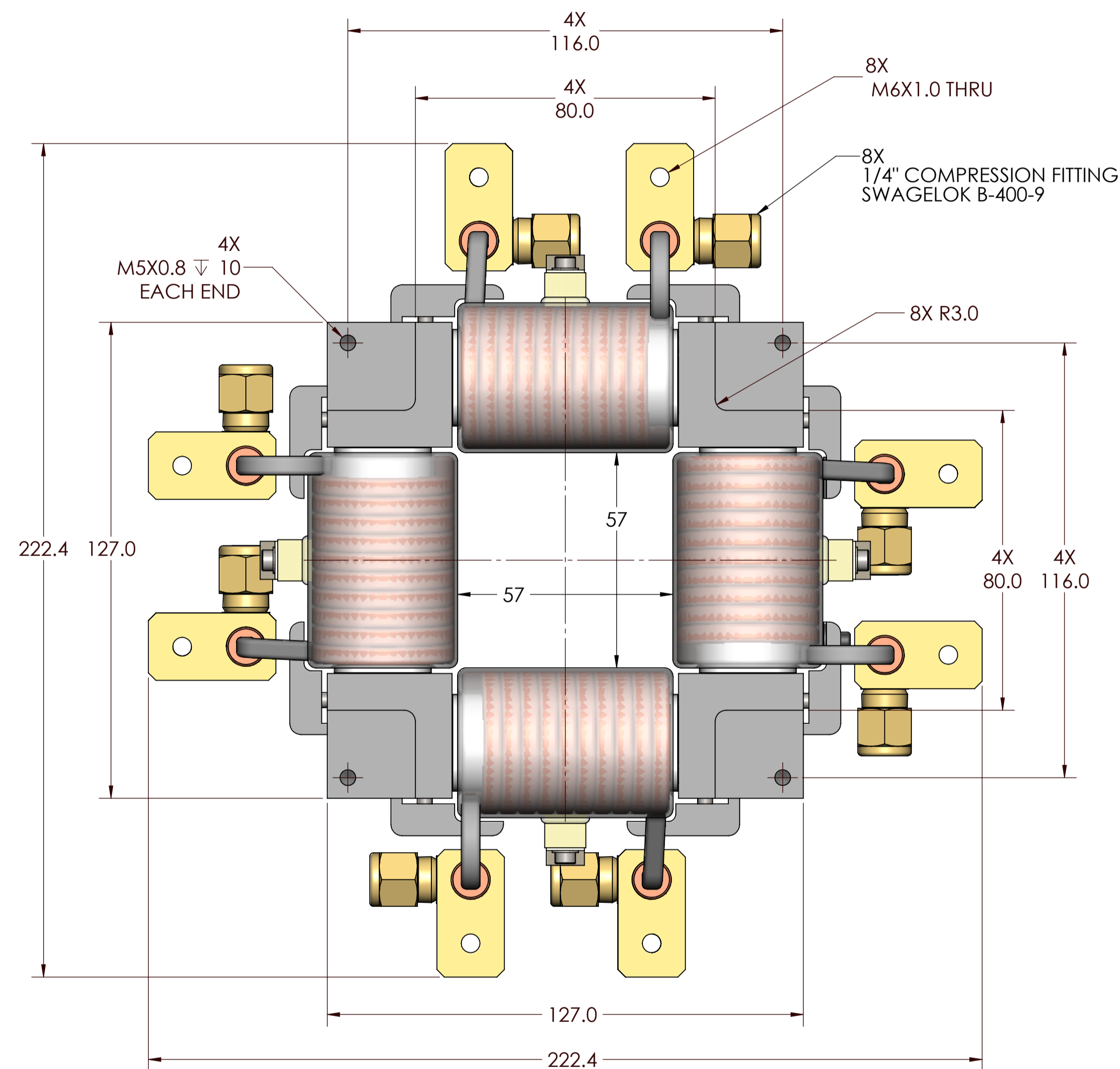


PROPRIETARY  
 THIS DRAWING CONTAINS CONFIDENTIAL INFORMATION  
 PROPRIETARY TO PYRAMID TECHNICAL CONSULTANTS INC (PTC).  
 IT MUST NOT BE REPRODUCED OR DISCLOSED TO OTHERS,  
 OR USED IN ANY OTHER WAY, IN WHOLE OR IN PART,  
 EXCEPT AS AUTHORIZED IN WRITING BY PTC.

REVISIONS				
REV	DESCRIPTION	DRAFT	DATE	APPROVED
A	INITIAL RELEASE			



4X THERMAL SWITCH AIRPAX 6700

DRAWN A. DART	DATE 25JAN2023	DO NOT SCALE FROM DRAWING DIMENSIONS IN mm TOLERANCES UNLESS OTHERWISE SPECIFIED:	 125 BEAVER ST. SUITE 102, WALTHAM, MA 02452 TEL: (781)402-1700, www.ptcus.com	TITLE															
CHECK J. GORDON	DATE 25JAN2023			X-Y CORRECTOR MAGNET															
ENGINEERING A. DART	DATE 25JAN2023	<table border="1"> <thead> <tr> <th>LINEAR</th> <th>mm</th> </tr> </thead> <tbody> <tr> <td>X.XXX</td> <td><math>\pm 0.03</math></td> </tr> <tr> <td>X.XX</td> <td><math>\pm 0.1</math></td> </tr> <tr> <td>X.X</td> <td><math>\pm 0.3</math></td> </tr> <tr> <td>X</td> <td><math>\pm 1</math></td> </tr> <tr> <td>DEG.</td> <td><math>\pm 0.5</math></td> </tr> <tr> <td>FINISH</td> <td>1.6 <math>\nabla</math></td> </tr> </tbody> </table>	LINEAR	mm	X.XXX	$\pm 0.03$	X.XX	$\pm 0.1$	X.X	$\pm 0.3$	X	$\pm 1$	DEG.	$\pm 0.5$	FINISH	1.6 $\nabla$	SIZE	DRAWING NO.	REV
LINEAR	mm																		
X.XXX	$\pm 0.03$																		
X.XX	$\pm 0.1$																		
X.X	$\pm 0.3$																		
X	$\pm 1$																		
DEG.	$\pm 0.5$																		
FINISH	1.6 $\nabla$																		
11209090	FAST CORR.	THIRD ANGLE PROJECTION	A1	88202741	A														
NEXT ASSY	SYSTEM		SCALE	1:1	WT 7.0 kg	SHEET 1 OF 1													
SOFTWARE: SOLIDWORKS 2021																			