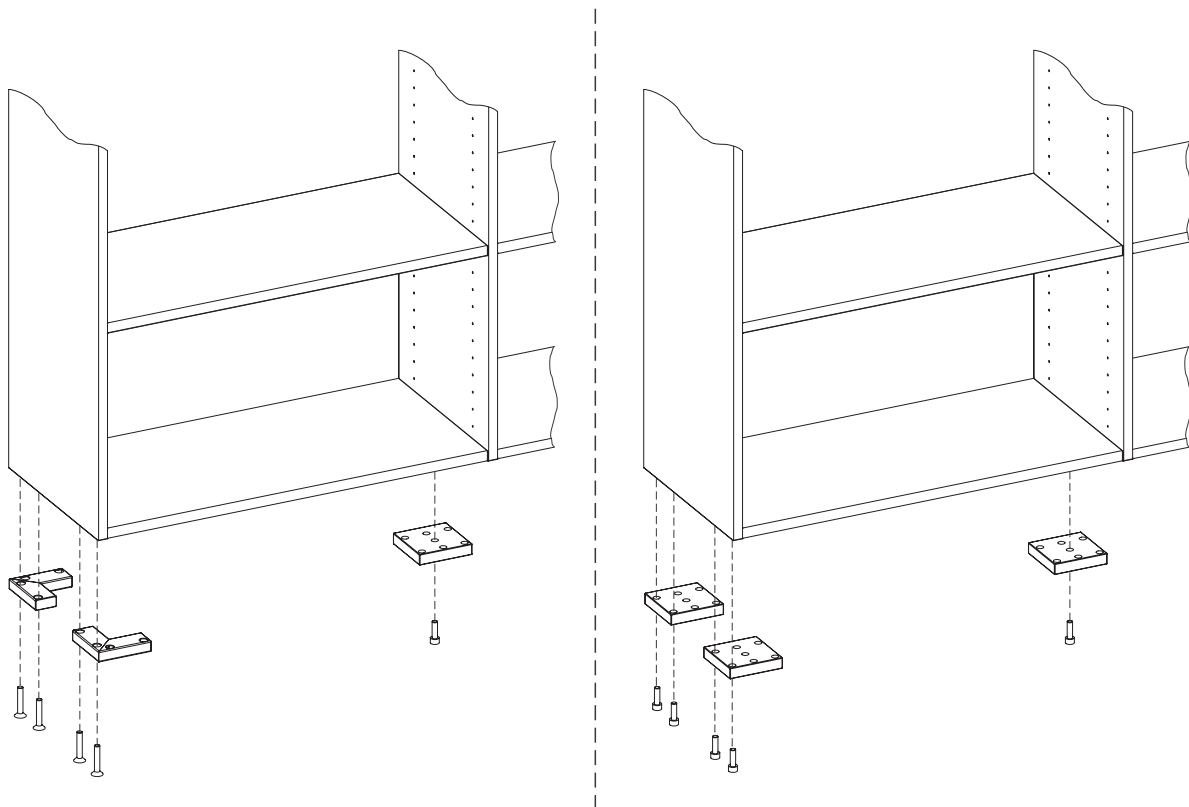


# CLASSYC LEGS

FOR GRYPD



You will build something similar to this.

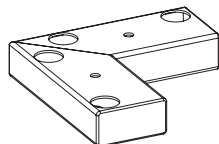
Here are the parts you will need.

**P20**



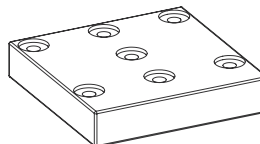
Square felt pad  
902.100.19

**P27**



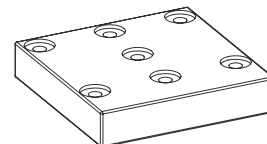
CLASSYC Leg (Metal)  
101.169.xx

**P28**



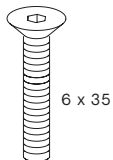
CLASSYC Support Leg  
101.170.xx

**P33**



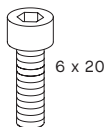
CLASSYC Leg  
101.168.xx

**P29**



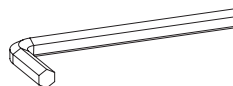
Screw 6 x 35mm  
902.100.34

**P30**



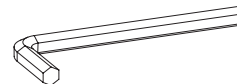
Screw 6 x 20mm  
902.100.25

**P32**



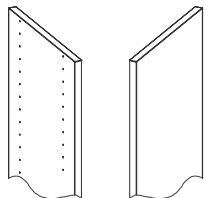
Hex Key Size 4  
901.300.01

**P31**



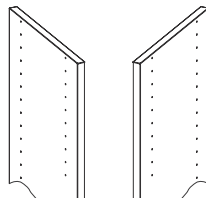
Hex Key Size 6  
901.300.02

**P34**



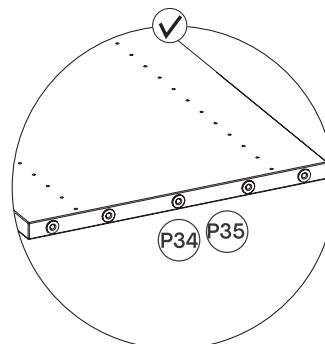
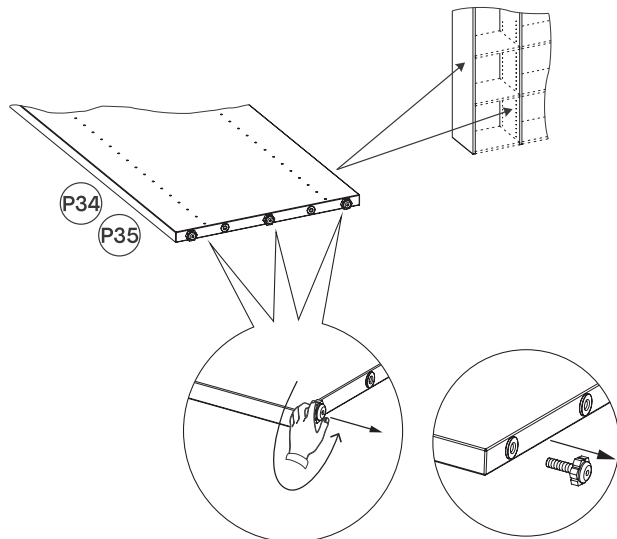
Outer Sidewalls  
101.100.xx, 101.101.xx  
101.102.xx, 101.103.xx  
101.104.xx, 101.105.xx

**P35**



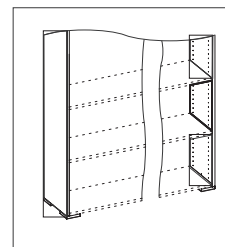
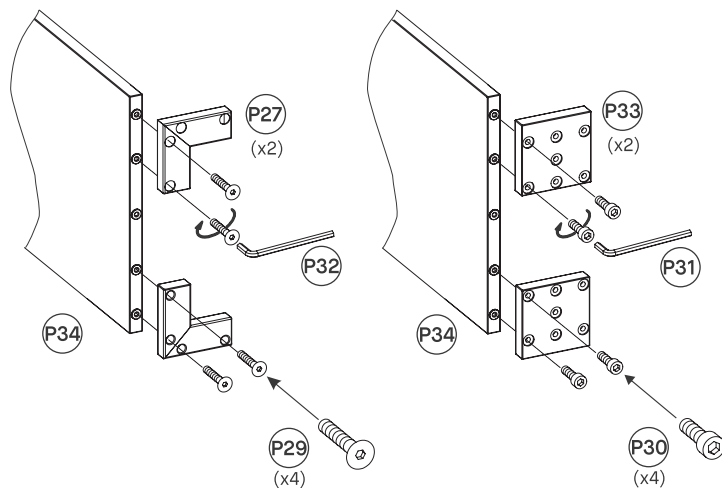
Inner Sidewalls  
101.106.xx, 101.107.xx  
101.108.xx, 101.109.xx  
101.110.xx, 101.111.xx

1



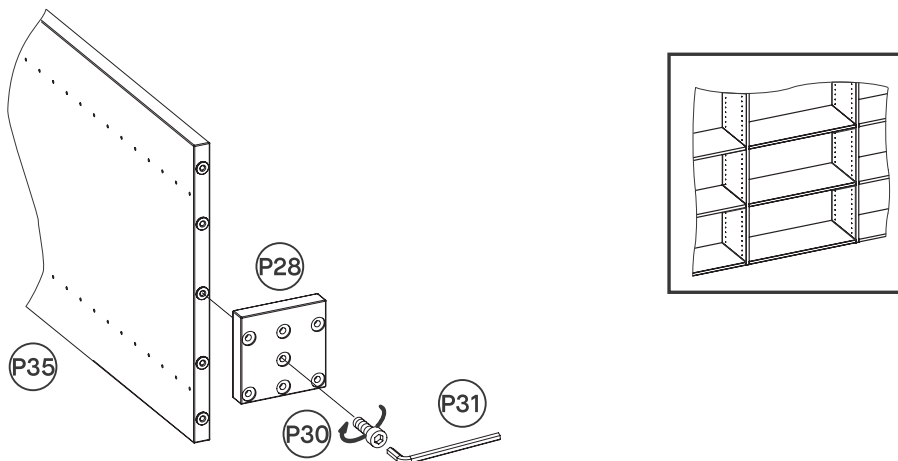
All our sidewalls come with smaller metal legs by default. Since you ordered another type of leg, you don't need them for your furniture. Please remove all of them as shown above.

2



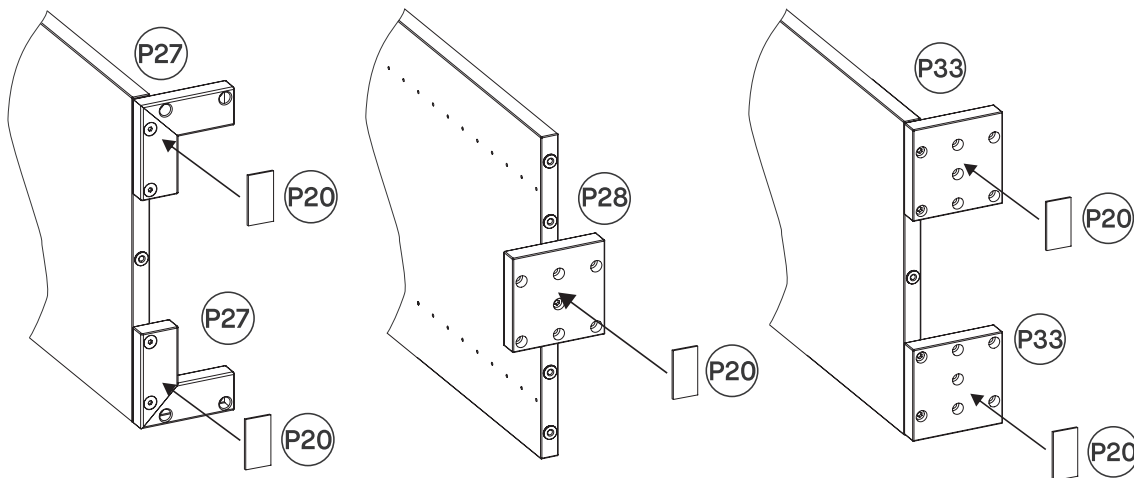
Depending on your configuration, screw Classyc metal leg P27 (illustration on the left) or Classyc square leg P33 (illustration on the right) into both outer sidewalls as seen above.

3



Connect support leg P28 with all inner sidewalls as seen above, using screw P30.

4



Add paddings under the leg construction as shown above. The paddings will protect your floor from scratches.