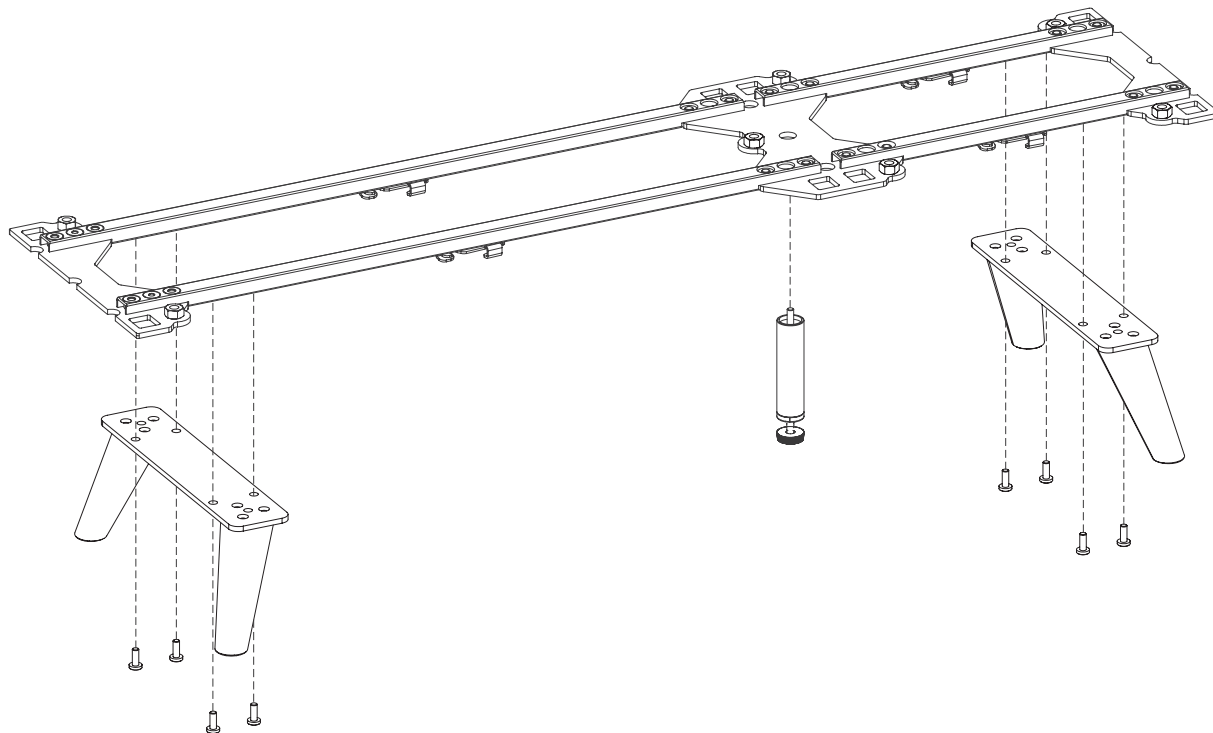


NORDYC LEGS

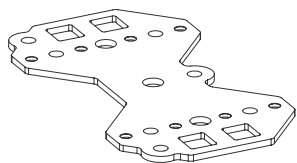
FOR GRYD



You will build something similar to this.

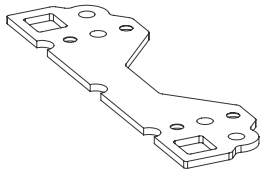
Here are the parts you will need.

P1 x1
or more depending
on your configuration



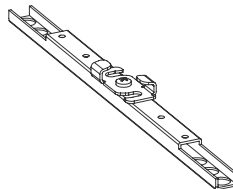
Leg Platform Plate (Double-sided)
101.173.00

P2 x2
for each end of
the platform



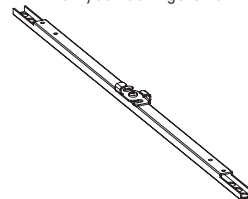
Leg Platform Plate (Single-sided)
101.173.01

P3 x1
or more depending
on your configuration

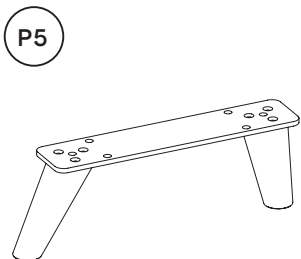


Platform Profile (37cm)
101.174.00

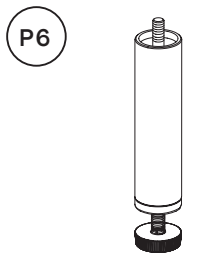
P4 x1
or more depending
on your configuration



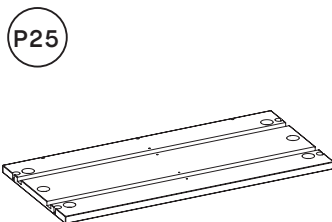
Platform Profile (73cm)
101.174.01



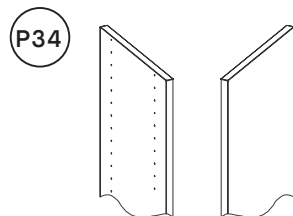
NORDYC Legs
101.165.xx/ 101.477.xx



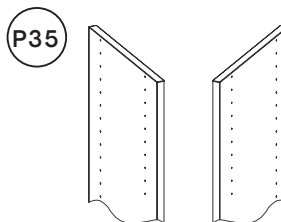
Support Leg
101.167.xx



Bottom Board
101.171-172.xx, 101.441-442.xx



Outer Sidewalls
101.100-105.xx, 101.400-406.xx



Inner Sidewalls
101.106-111.xx, 101.407-413.xx

P7

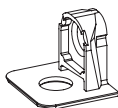


8x14

Flat head screw 8 x 14mm

902.100.21

P13



Metal shelf support

901.100.04

P14

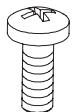


3x10

Screw 3 x 10mm

901.100.05

P8



6x16

Pan head screw 6 x 16mm

902.100.16

P9



Ø20

Round felt pad Ø20 mm

902.100.18

P10



Screw pad

902.100.13

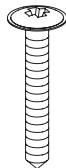
P11



Screw distancer

902.100.15

P12

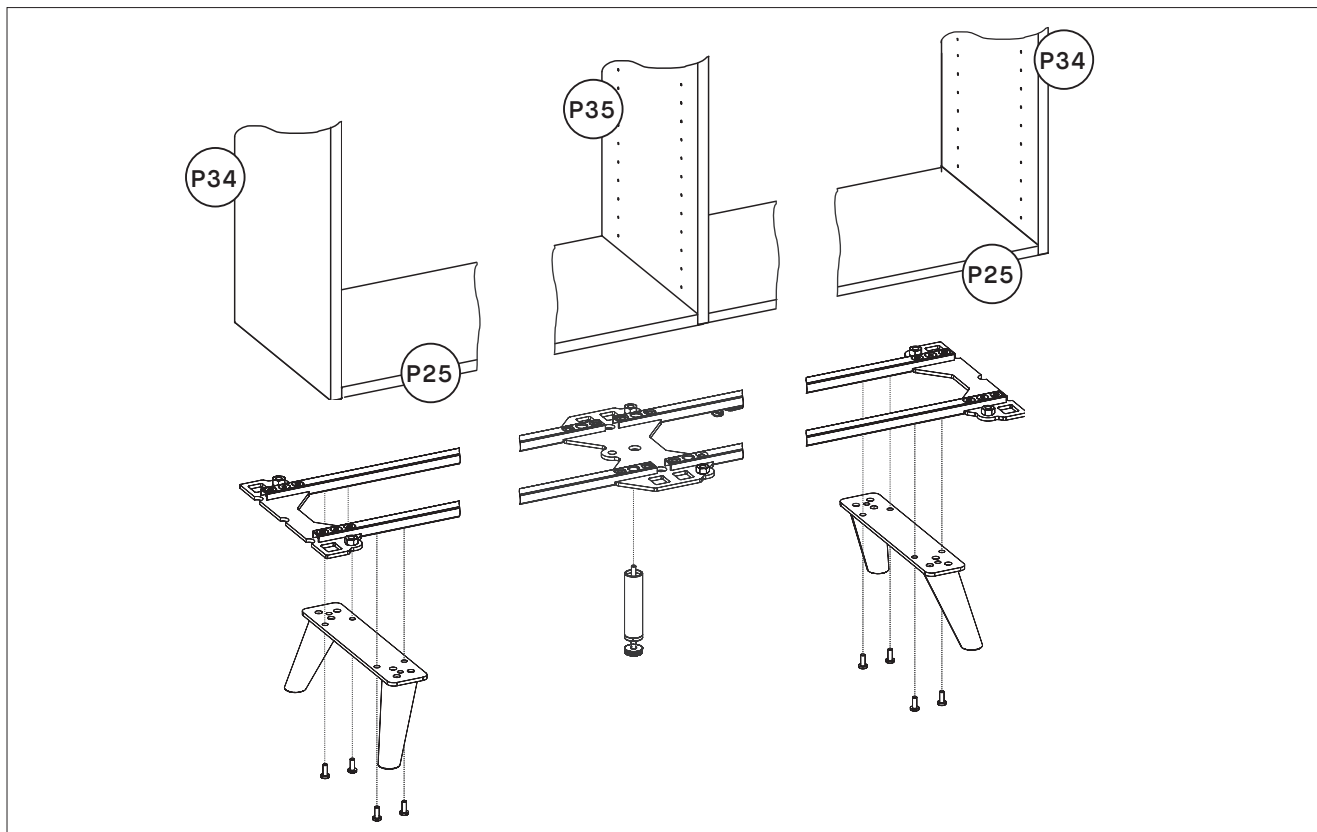


3,5 x 25

Truss screw 3,5 x 25mm

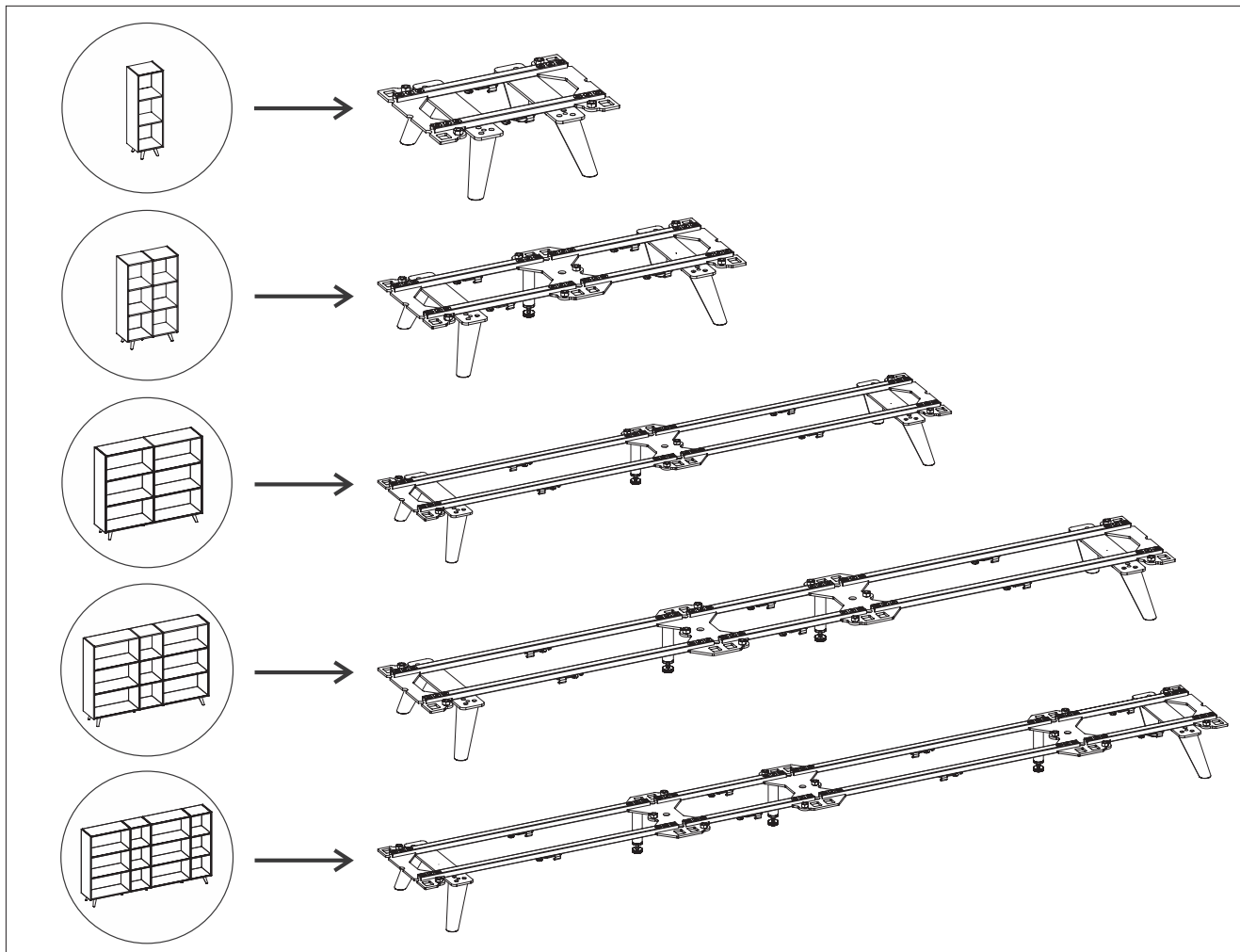
902.100.12

901.100.99

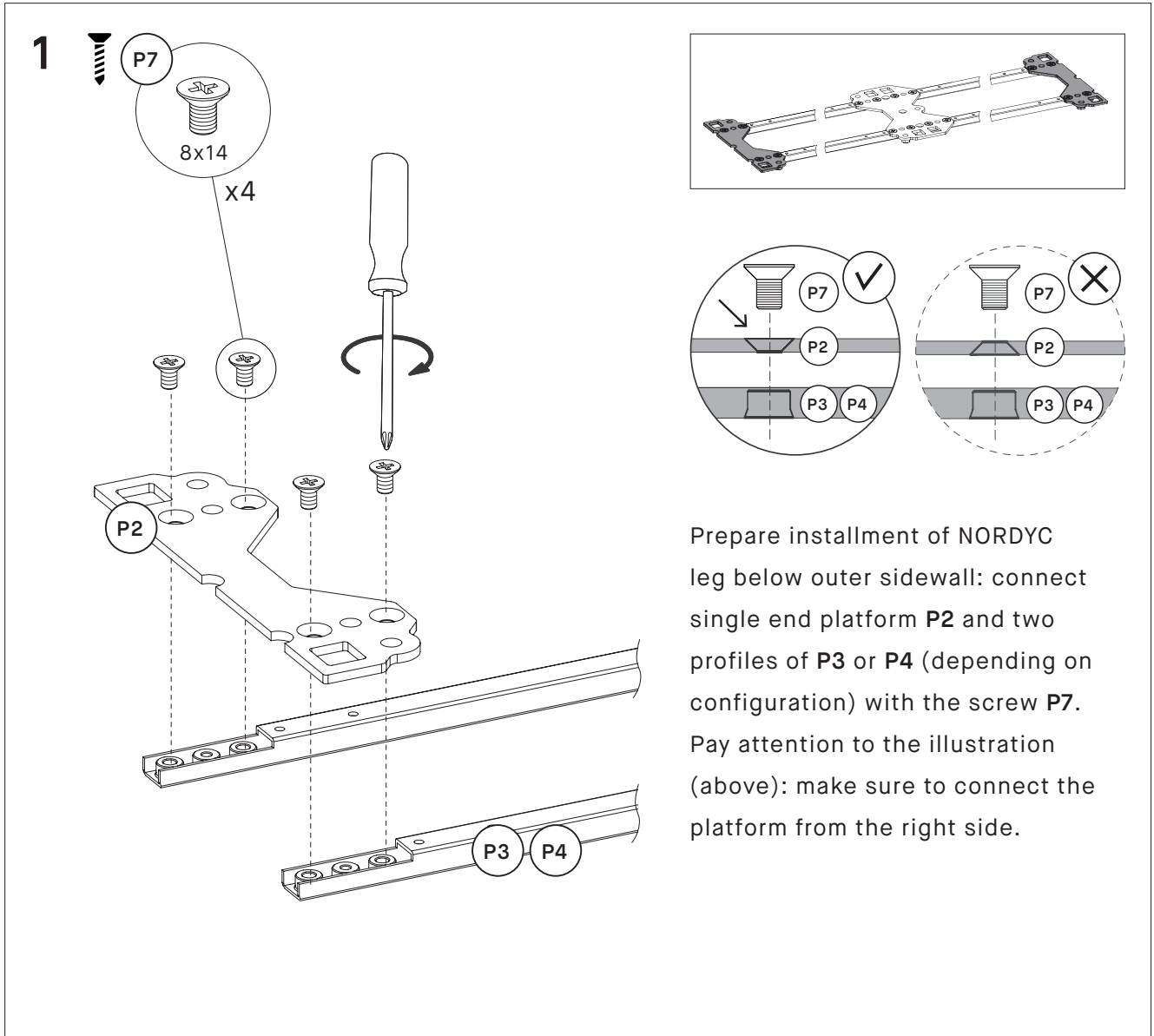


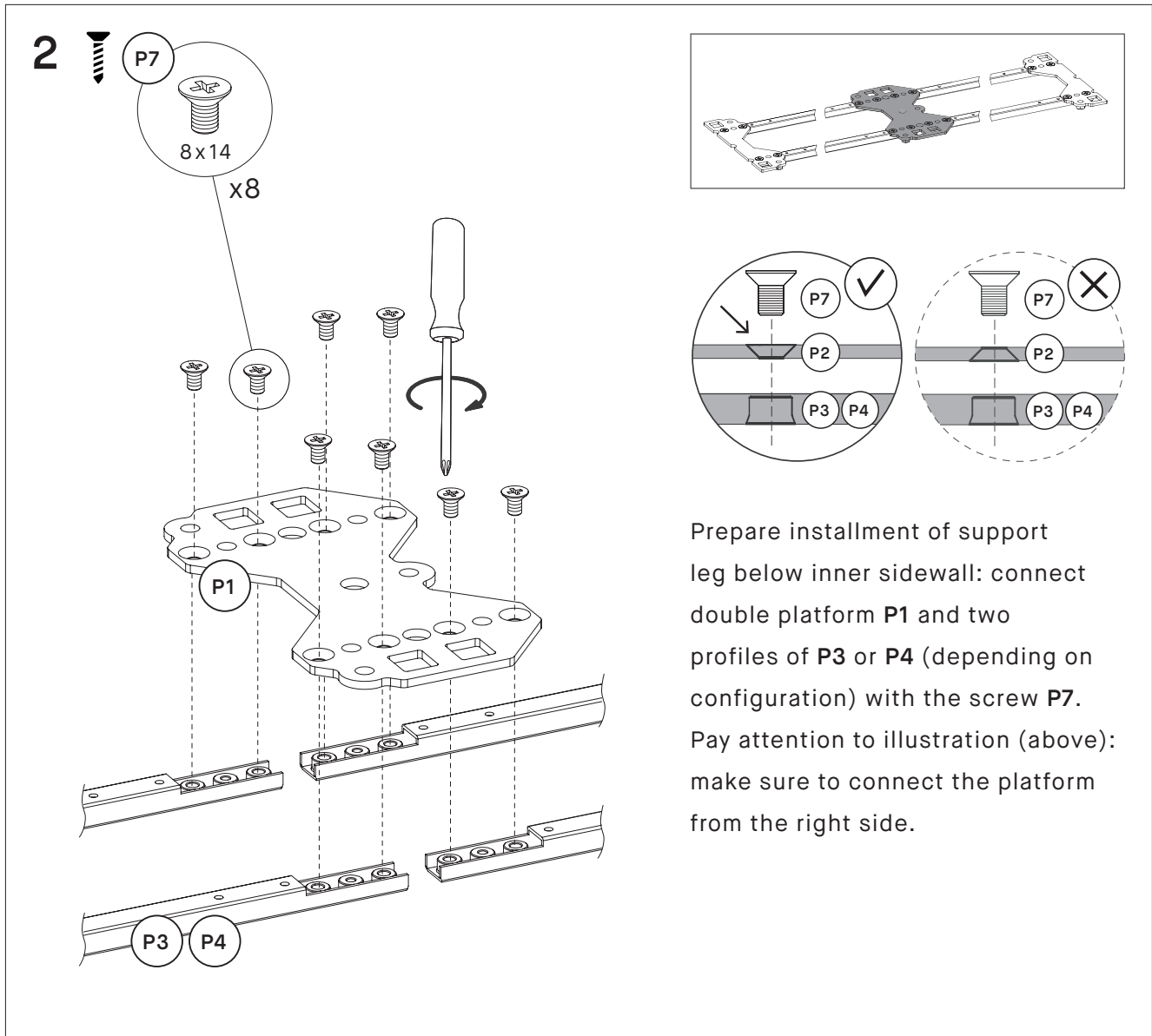
Overall: the single platforms belong below the outer sidewalls and connect with the NORDYC leg. The double platform(s) belong below the inner sidewall(s) and connect with the support leg that is needed for stability reasons.

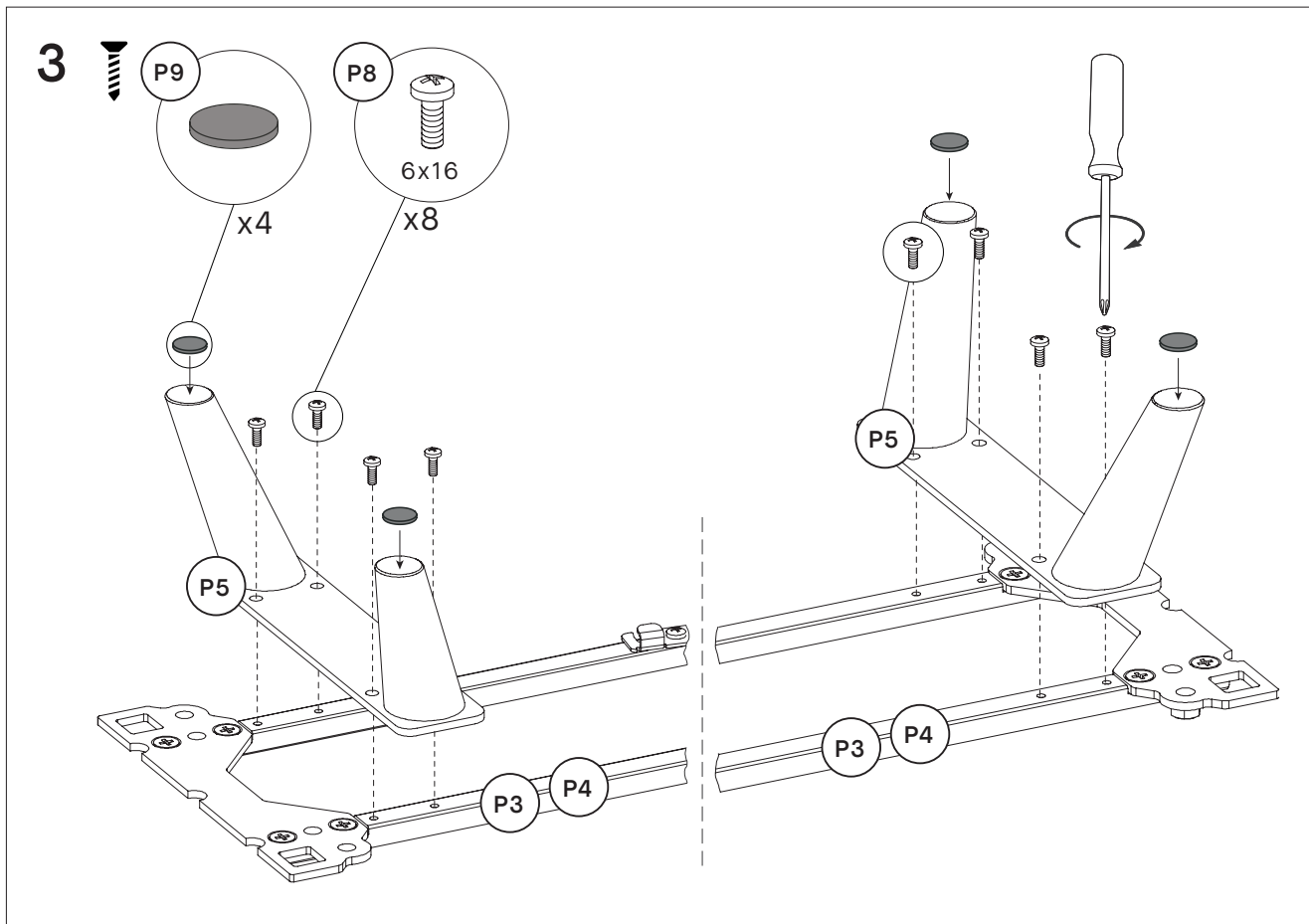
NOTE: you need to add one support leg per inner sidewall. If you assemble one or more inner sidewalls without a support leg, stability can't be guaranteed.



Have a look at the example constructions on the left and what the leg construction for these examples looks like on the right. Find the construction that matches your design the best and assemble the leg construction accordingly.





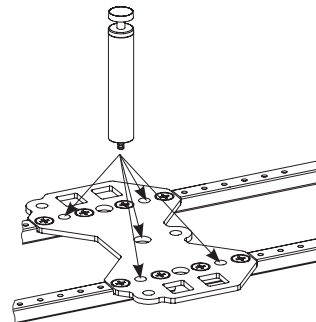
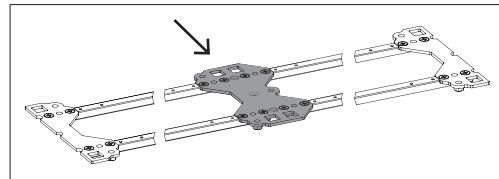
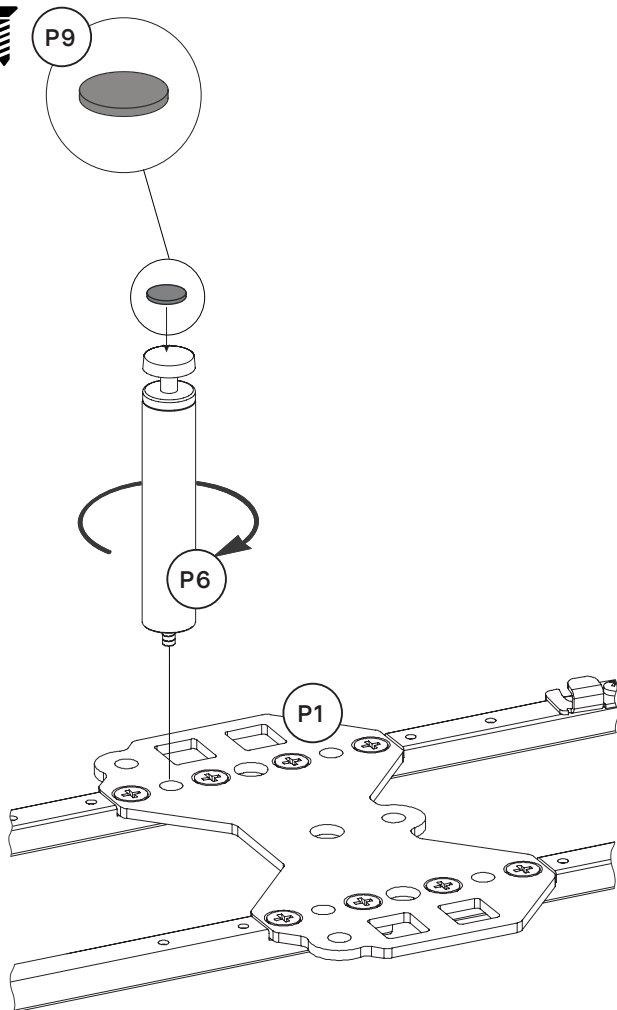


Connect NORDYC leg **P5** with the profiles **P3/P4** by using screw **P8** (6x16mm).

To protect your floor surface from scratches, stick the paddings **P9** to NORDYC (**P5**) and support leg **P6**.

NOTE: Repeat step for all NORDYC legs (based on your configuration)

4

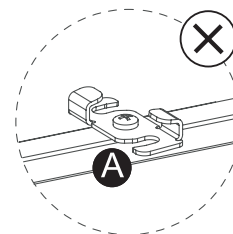
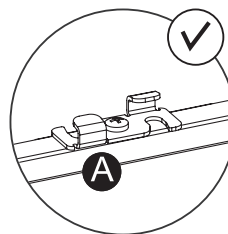
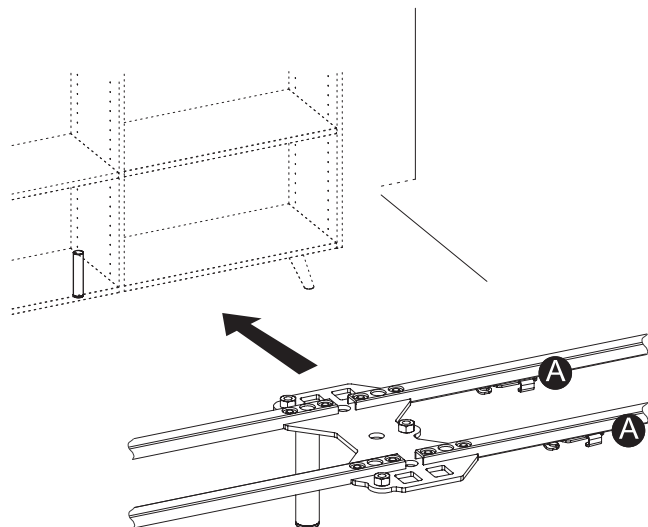


Screw support leg **P6** into the platform **P1**.
To protect your floor surface from scratches,
stick the paddings **P9** to support leg **P6**.

NOTE: Ideally the **support leg** is installed
at the back of the actual product. However
depending on the requirements (stability, floor
level) it can be situated in the front or in the
middle.

NOTE: Repeat step for all support legs (total
number depends on the number of inner
sidewalls of your configuration).

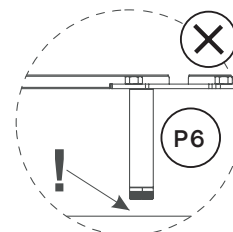
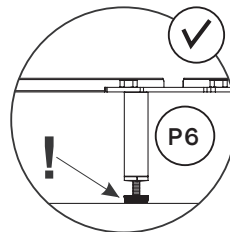
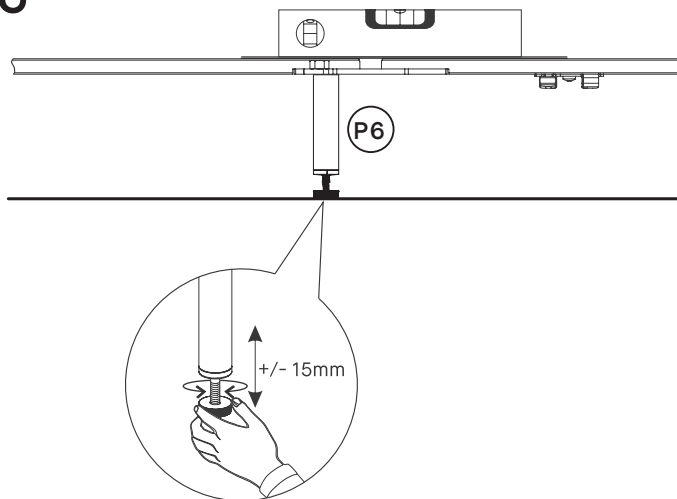
5



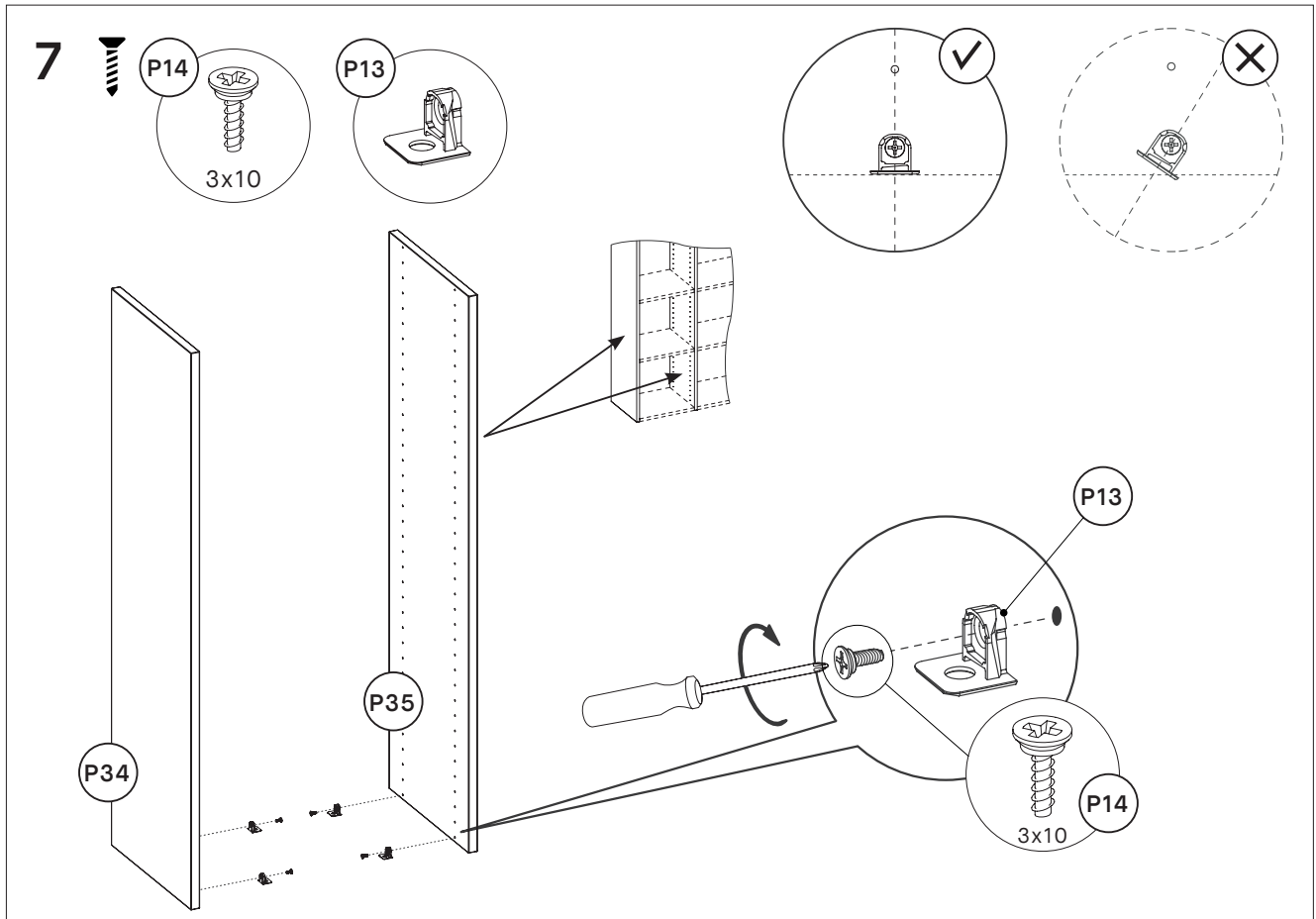
Place the leg construction at the target location of your furniture.

NOTE: Pay attention to the position of the hinge (as illustrated in A on the right).

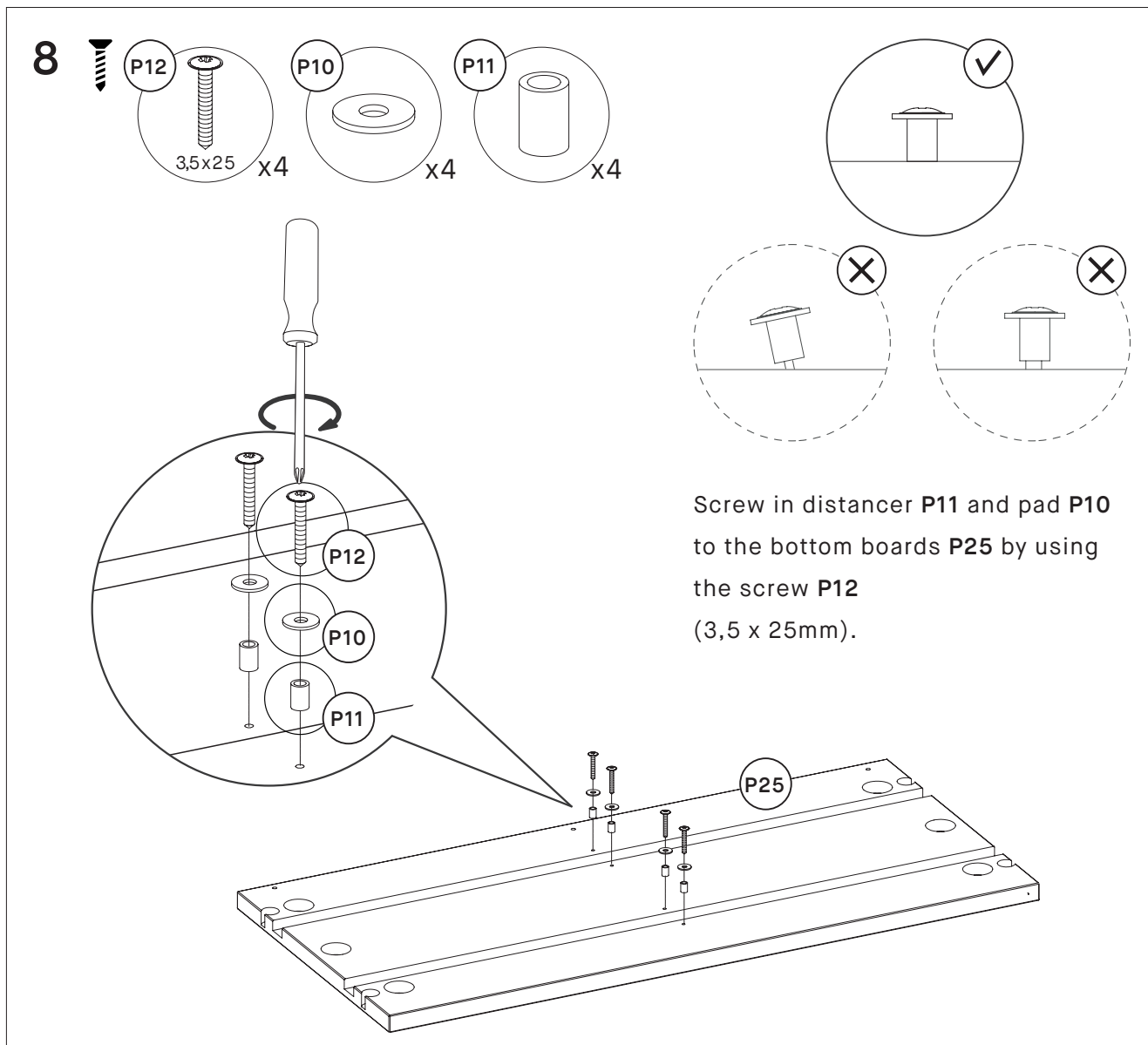
6

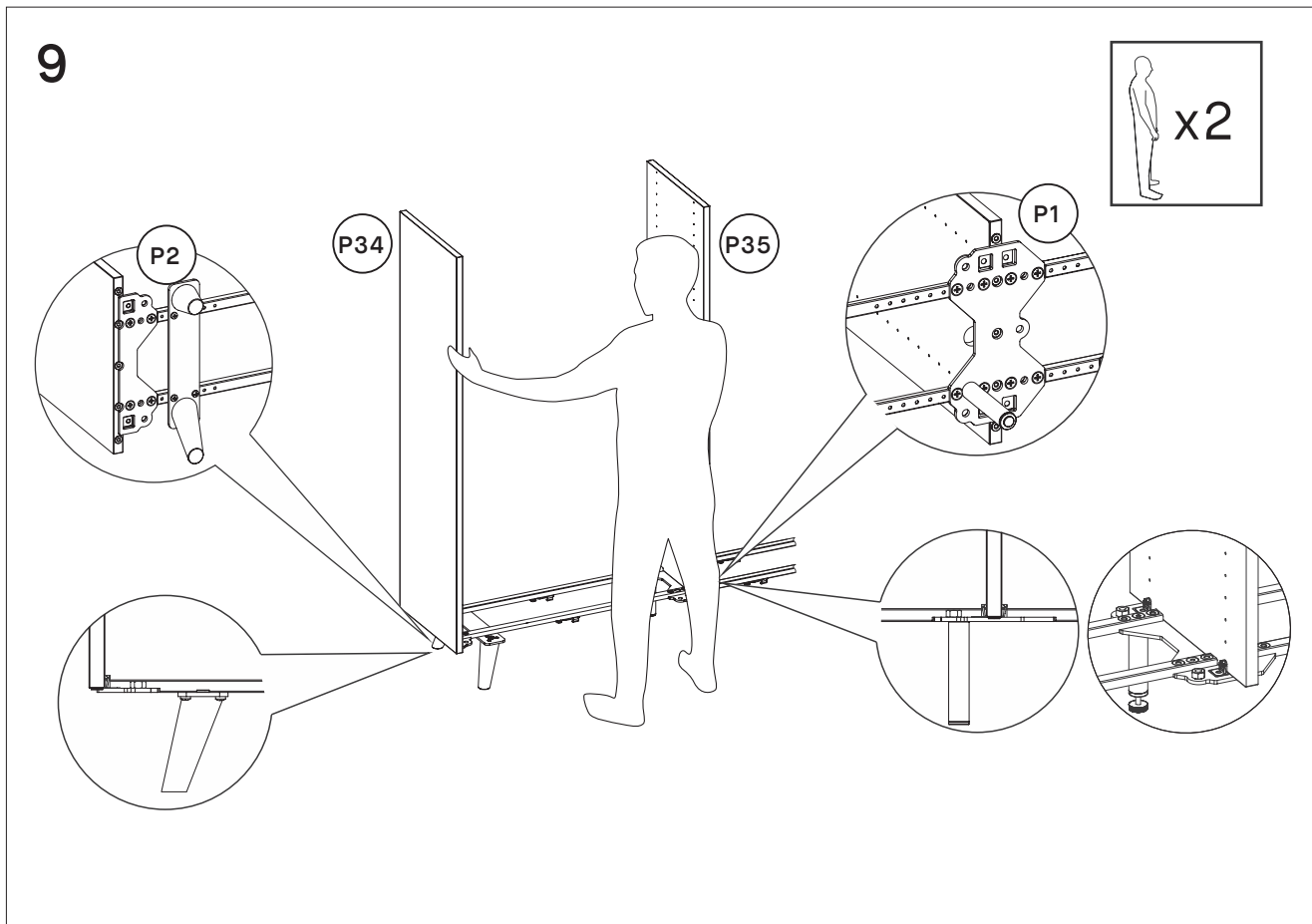


Level the construction horizontally by adjusting the support leg(s) as shown above. This step is particularly important as it prevents the construction from bending.

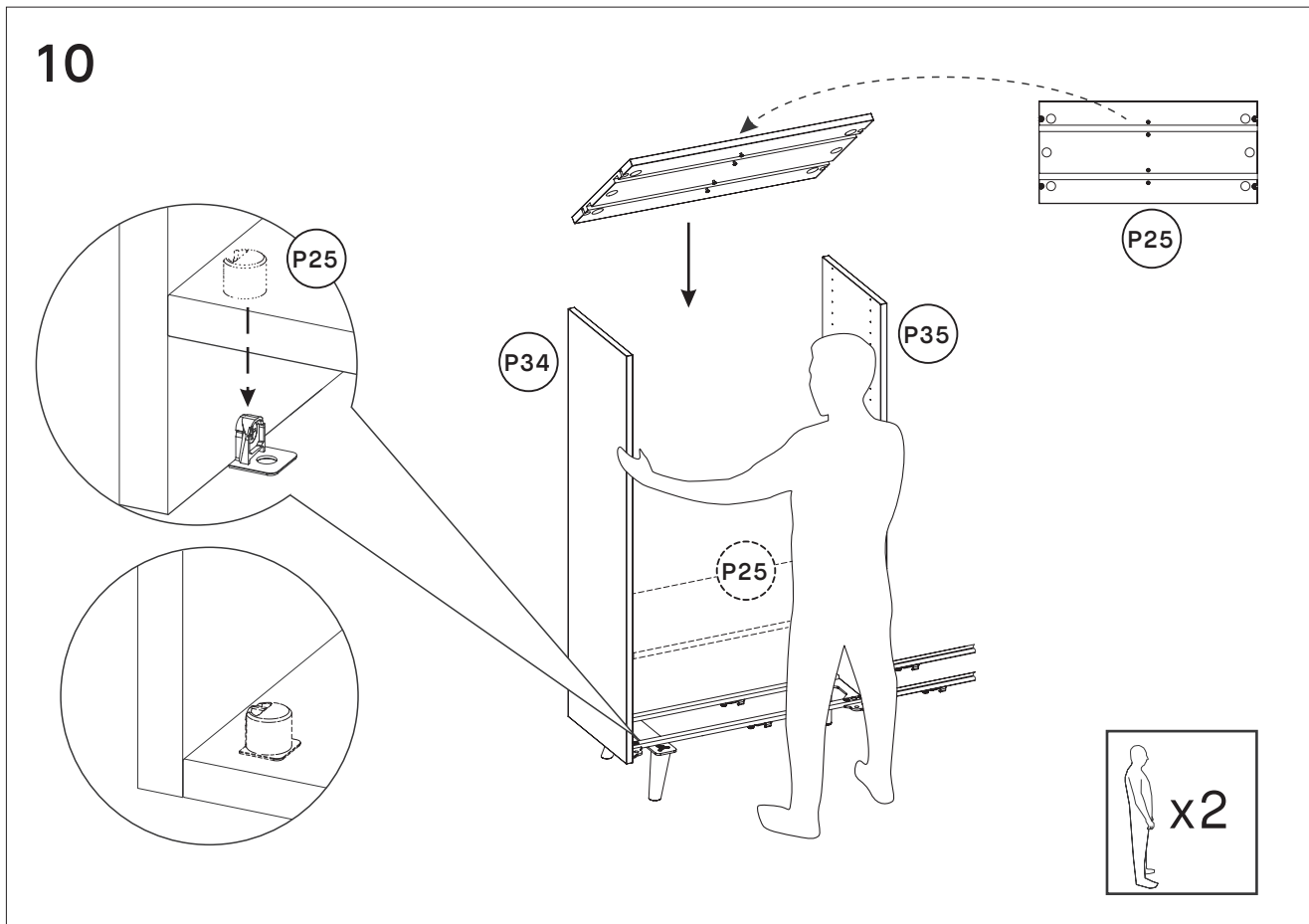


The metal shelf supports (**P13**) are there to hold the bottom boards. Screw the supports into all sidewalls as shown above (using screw **P14**). Please check your configuration to figure out where to screw in the support. You need to use them wherever you placed a board. Please refer to the “Don’t forget to measure” tip from the “Introduction” chapter on page 10 for details on how to position the metal shelf supports correctly.



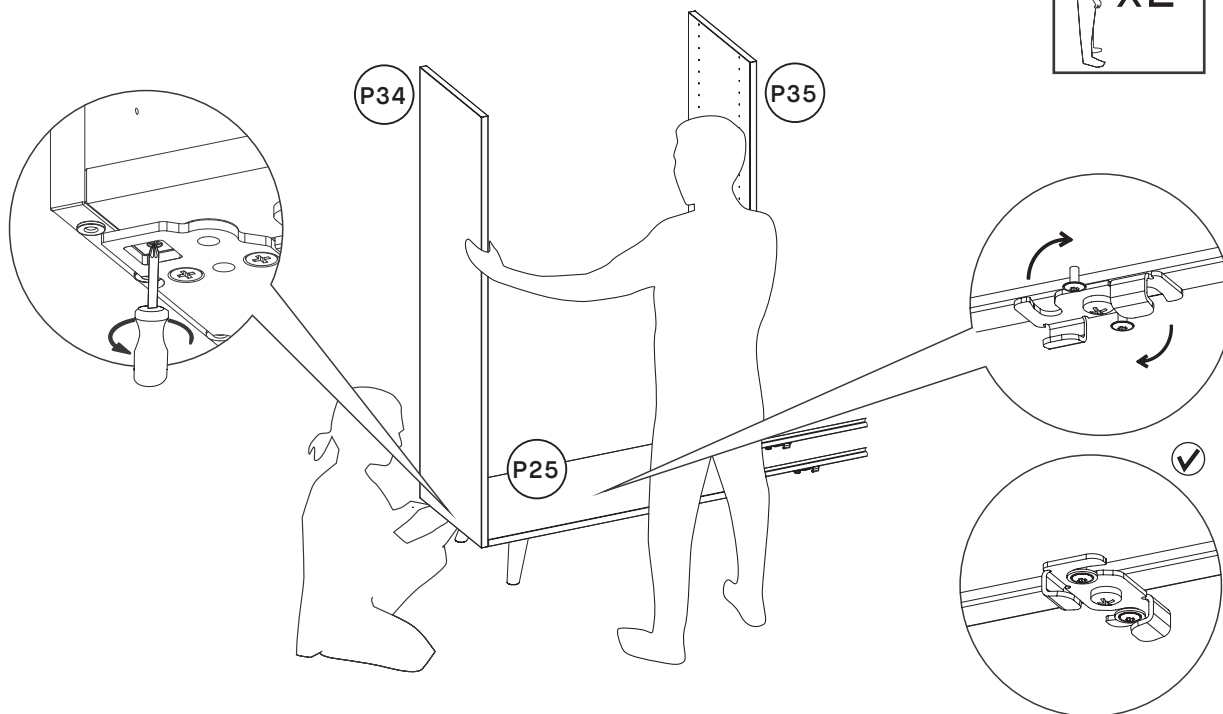
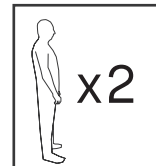


Now stick the first two sidewalls into their platform: the outer sidewalls go into the end of the single end platform **P2** and the inner sidewall in the middle of the double platform **P1**.

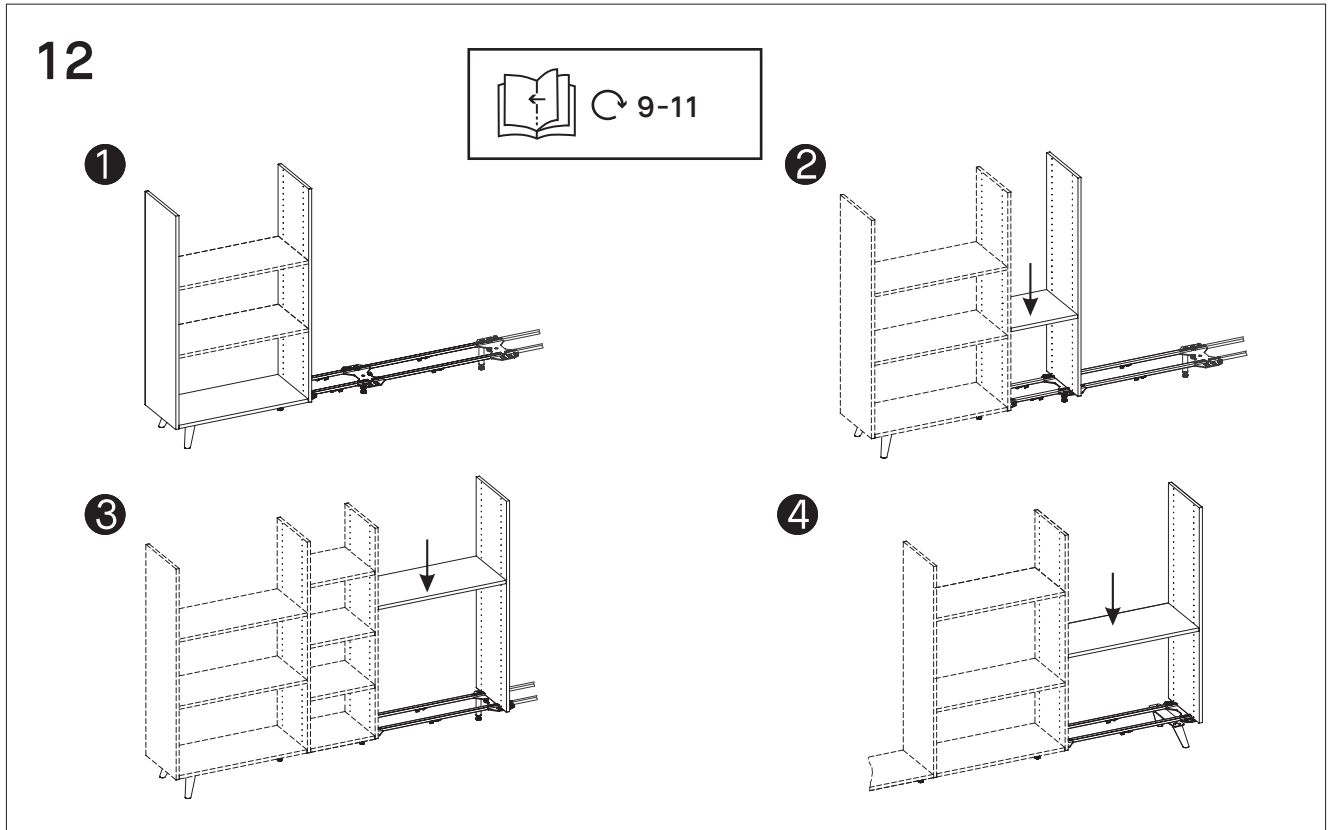


Place bottom boards **P25** on the platform by joining it to the sidewalls **P34/P35** with additional help.

11



Screw in the sidewalls to the bottom boards and turn the lock underneath the bottom board to connect the rails with the board. You should hear a 'click' sound once the lock is in its final position.



NOTE: Step 9 to 11 go together and have to be performed multiple times, if your configuration requires it (depending on the number of sidewalls you have ordered). Please connect two sidewalls on the left-hand side of your product with their platform (step 9), mount the bottom board in the middle of them (step 10) and finally lock the bottom platform with the rails (step 11). Repeat steps 9 to 11 by adding one sidewall at a time, until you reach the outer sidewall on the right-hand side of your product.