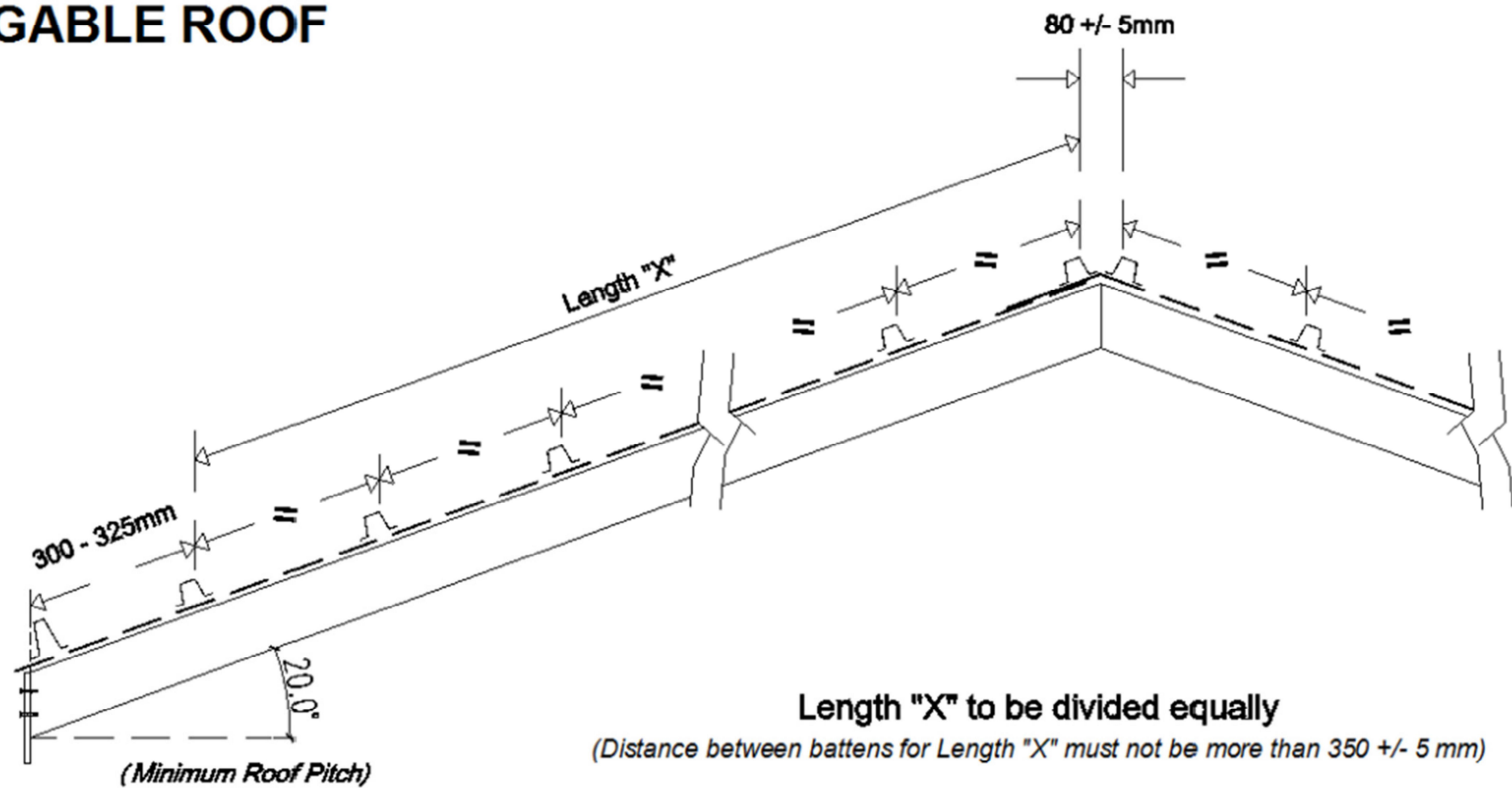
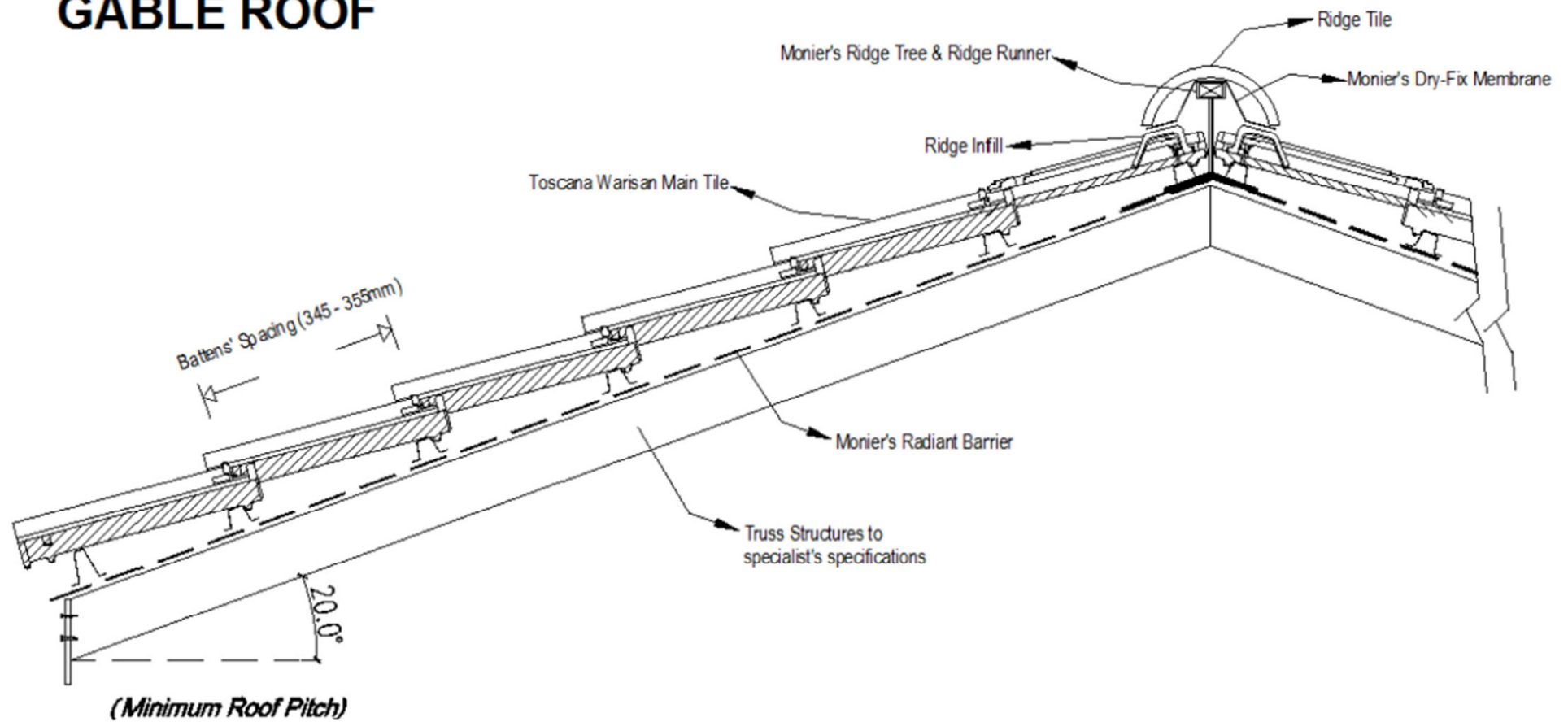


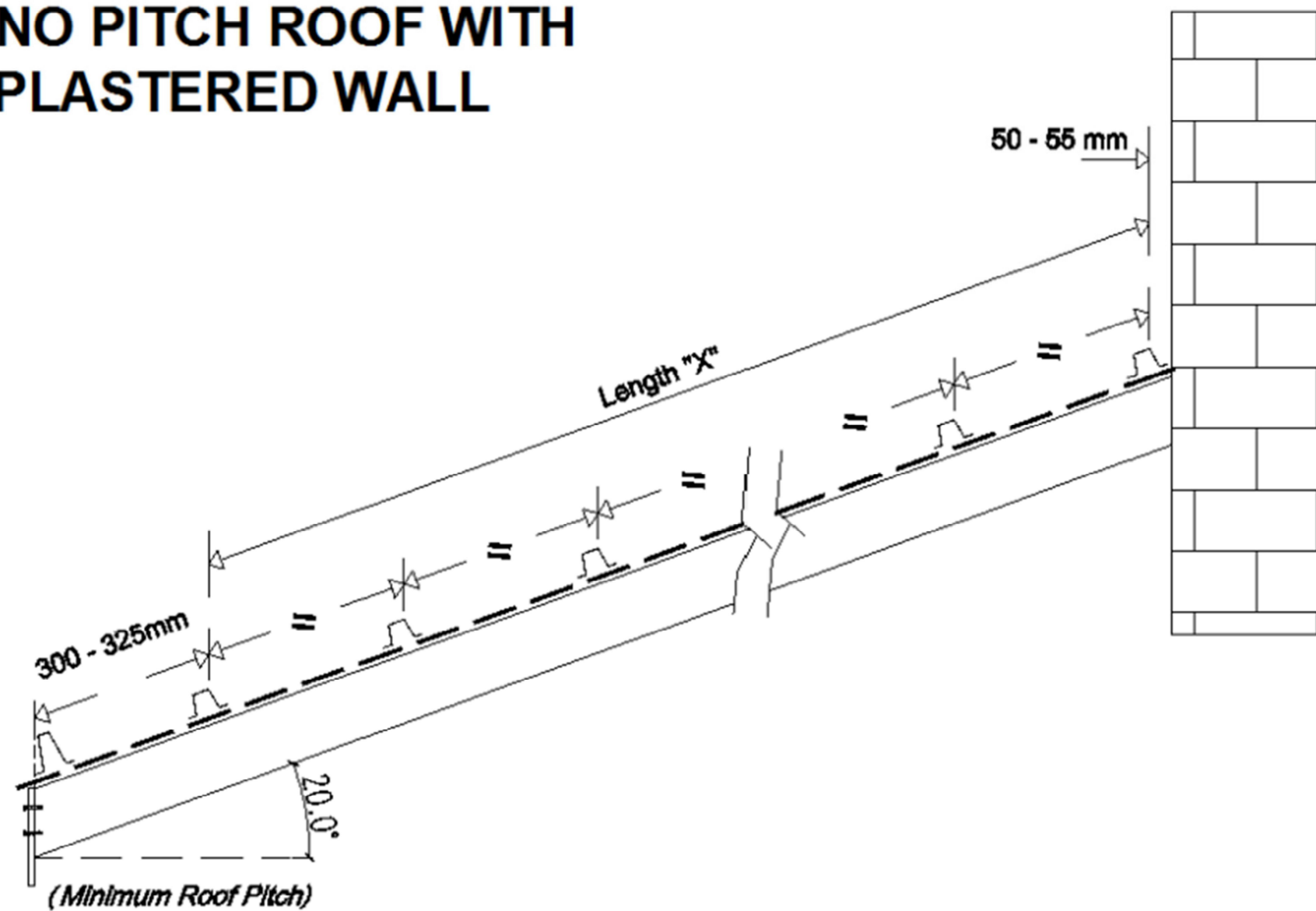
## GABLE ROOF



## GABLE ROOF

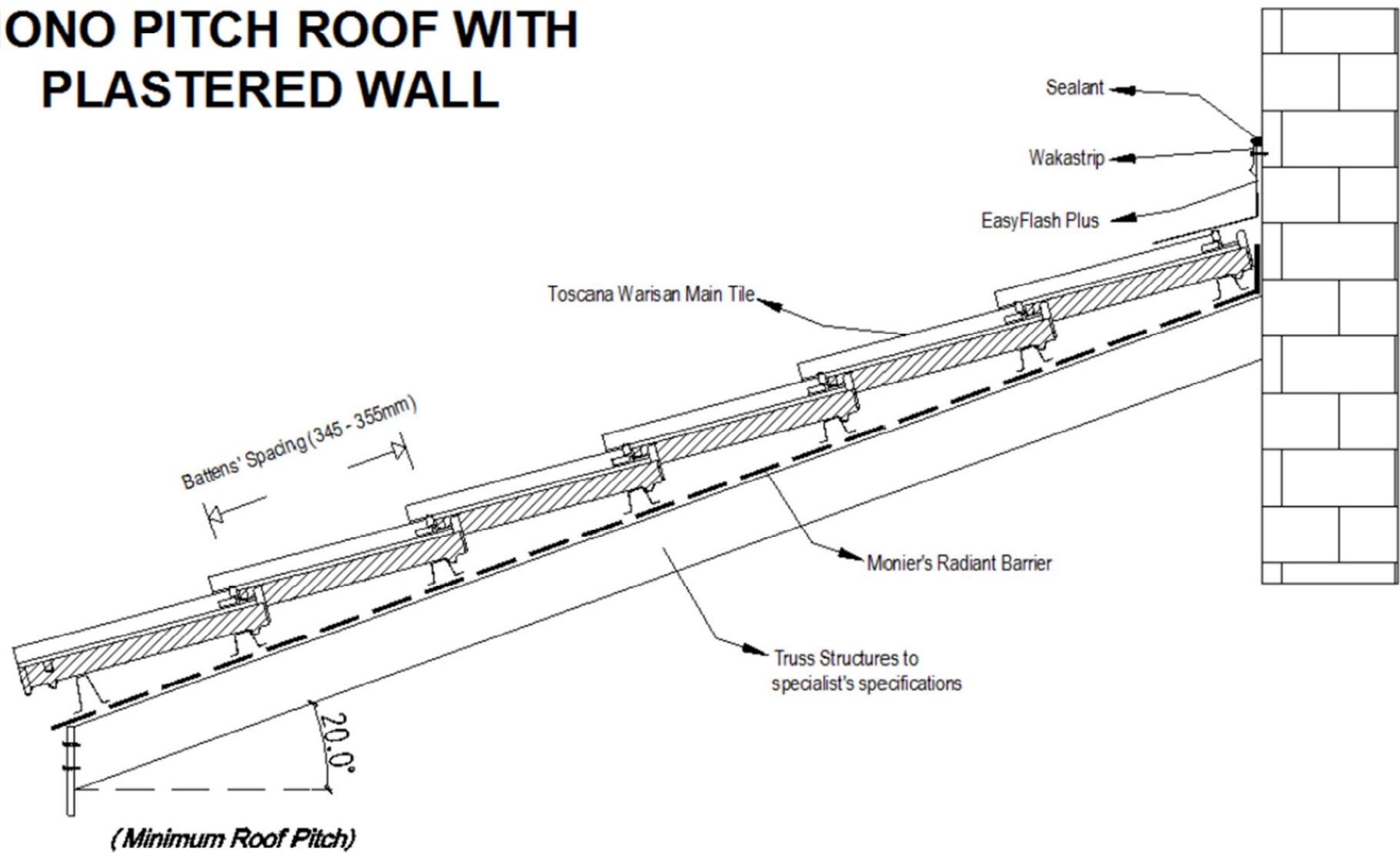


# MONO PITCH ROOF WITH PLASTERED WALL

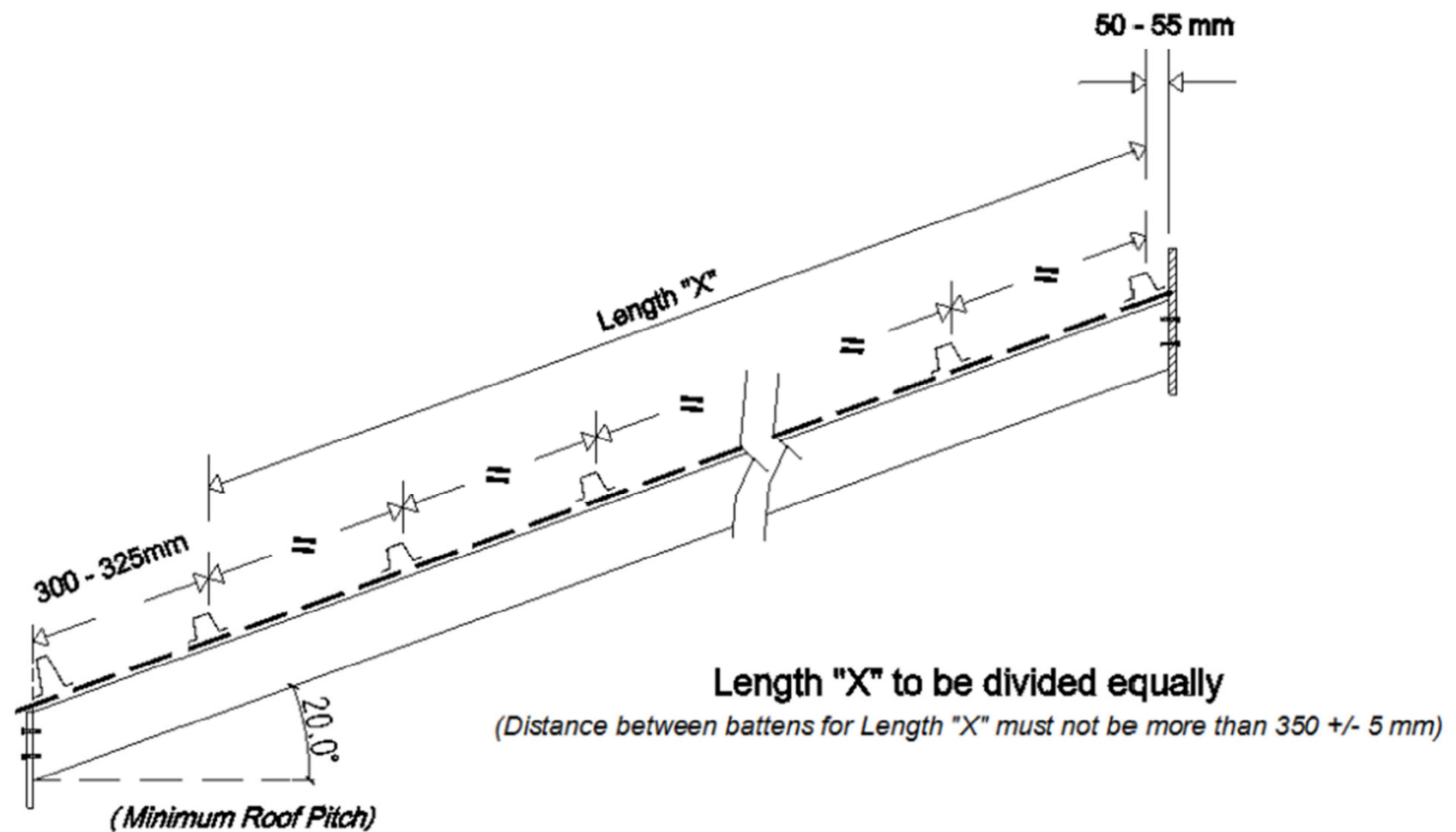




# MONO PITCH ROOF WITH PLASTERED WALL

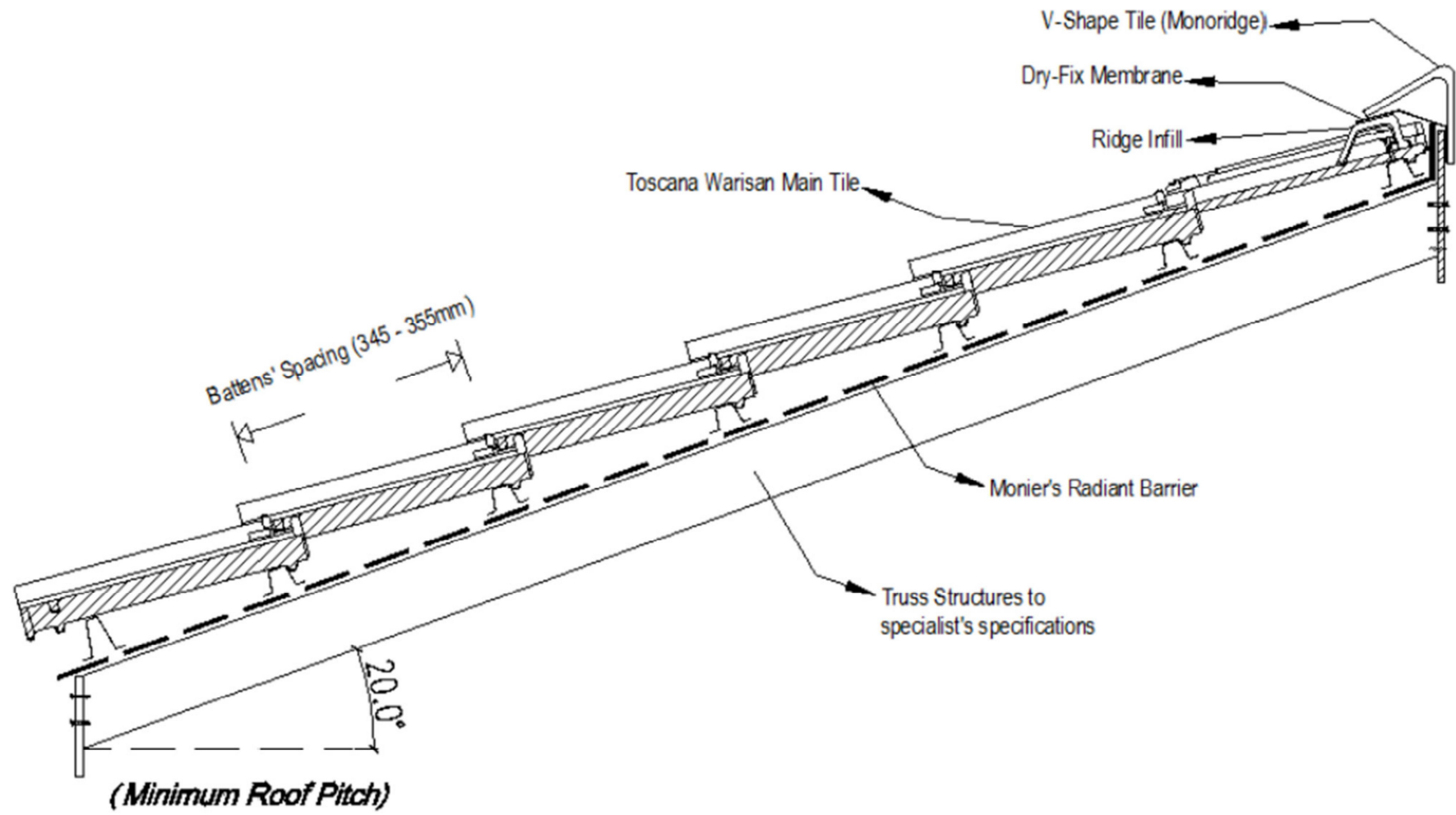


## MONO PITCH ROOF

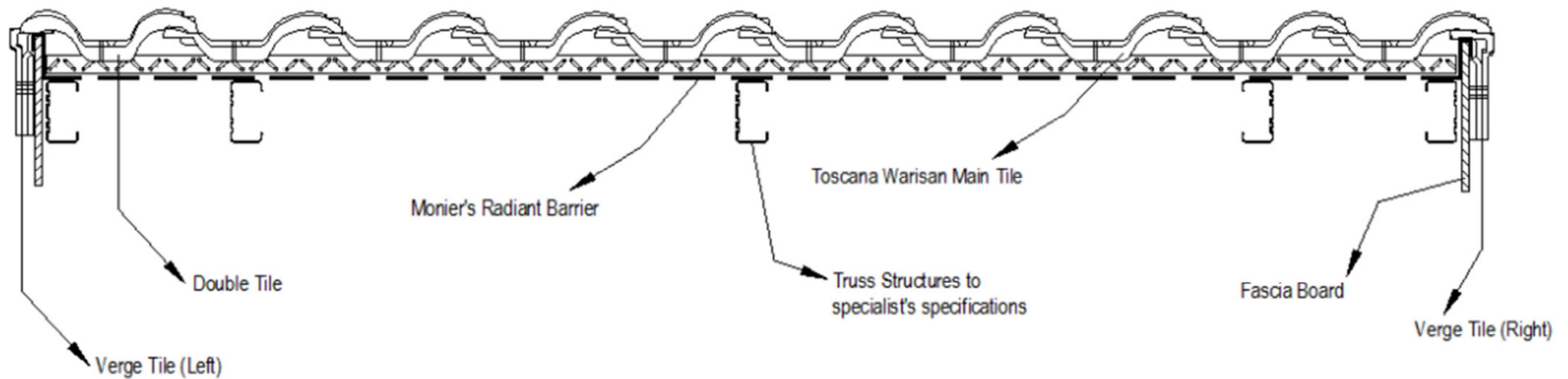




# MONO PITCH ROOF

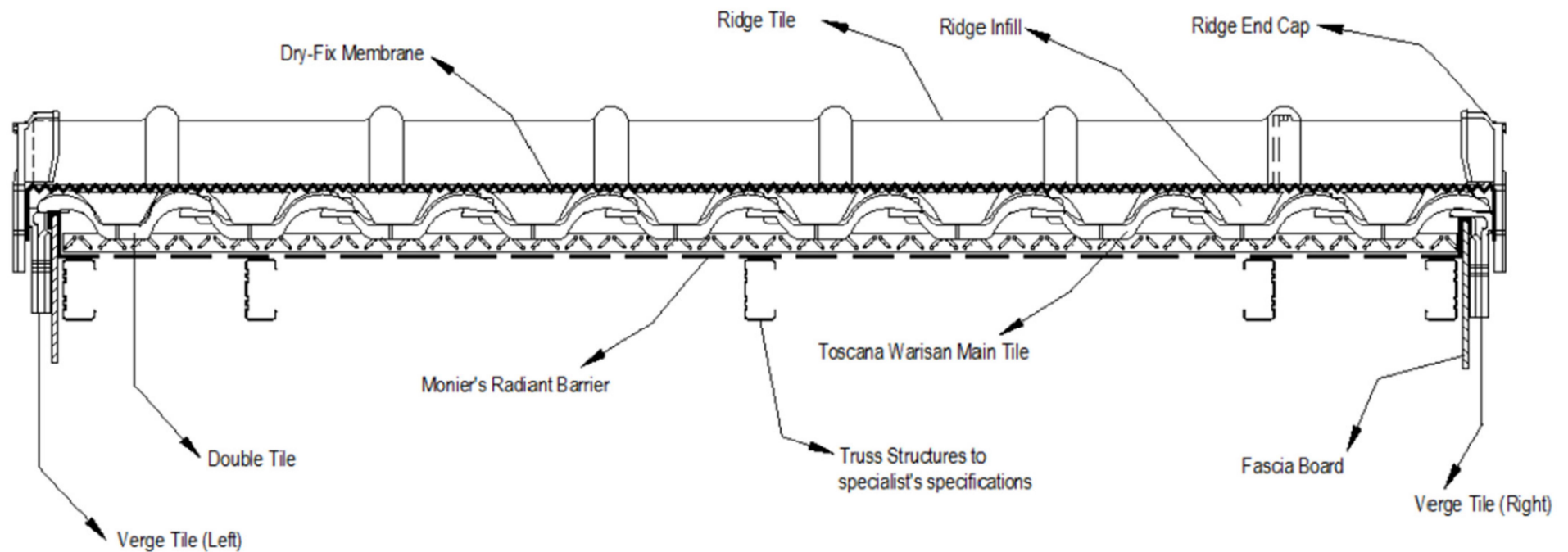


## CROSS SECTION



*\* Precautions shall be taken to ensure the Radiant Barrier is not damaged / punctured by truss web members*

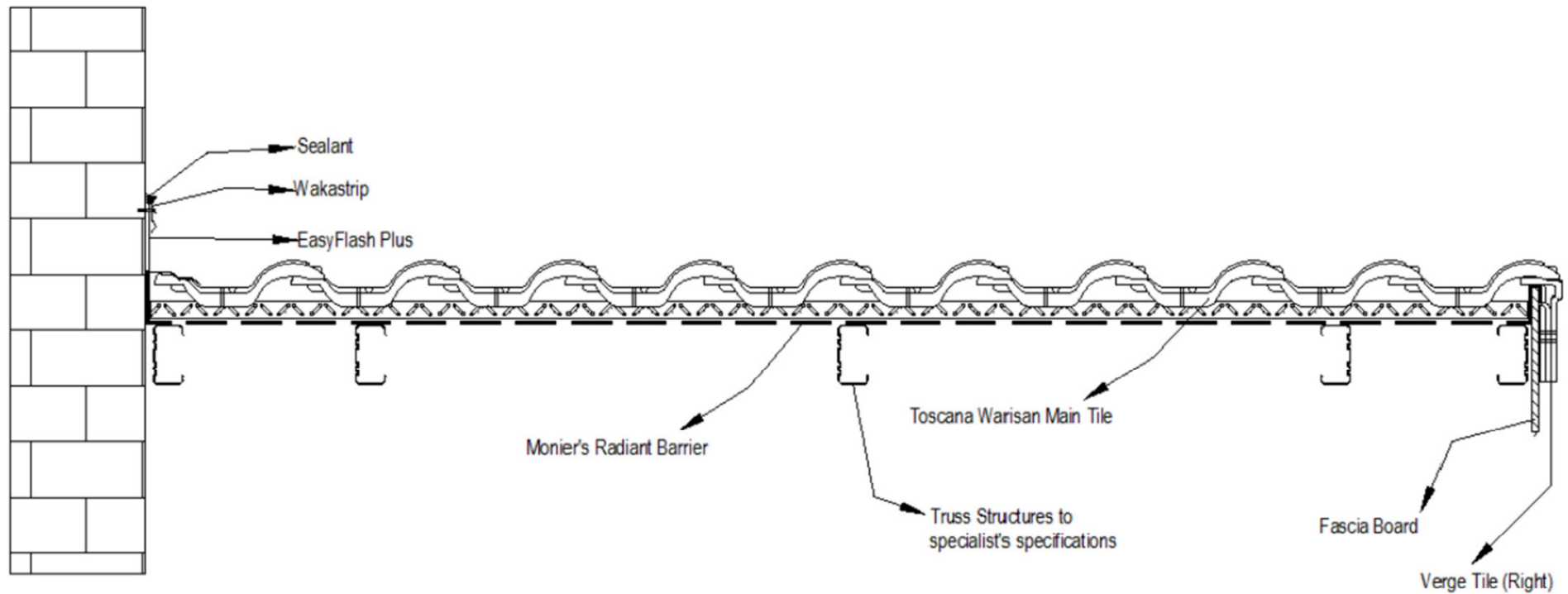
## CROSS SECTION



*\* Precautions shall be taken to ensure the Radiant Barrier is not damaged / punctured by truss web members*



## CROSS SECTION



*\* Precautions shall be taken to ensure the Radiant Barrier is not damaged / punctured by truss web members*