

FLEX



Wishco FLEX[®]

Freedom & flexibility
– Bring the heat everywhere

INT – Assembly and operation instruction manual

CarboTek-based heater – Please read the instructions carefully
and retain them for future reference

INT

These instructions should be read carefully and retained for future reference

We cannot be liable for any damages caused by failure to observe these instructions..

Important safety instructions – read carefully

Wishco FLEX heater is designed for safe operation. Nevertheless, installation, maintenance and operation of the heater can be dangerous. Observing the following procedures will reduce the risk of fire, electric shock, injury to persons and keep installation time to a minimum. Save these instructions for future use.

Please read carefully and save this instruction

1. Read all instruction before using this heater.
2. Remove the unit from it's packaging and check to make sure it is in good condition before using.
3. Do not let children play with parts of package (such as plastic bags).
4. Check the household voltage to ensure it matches the heater's rated specification.
5. Check the power cord and plug carefully before used, to make sure that they are not damaged.
6. Before unplugging the power cord, be sure to turn off the power. When energizing the unit, be sure your hands are dry to prevent from electric shock.
7. This heater is hot when in use. To avoid burns, do not let bare skin touch hot surfaces. If provided, use handles when moving this heater. Keep combustible materials, such as furniture, pillows, bedding, papers, clothes, and curtains at least 1 meter from the front of the heater and keep them away from the sides and rear.
8. Extreme caution is necessary when any heater is used by or near children or disabled and whenever the heater is left operating and unattended.
9. Do not use near or in the immediate vicinity of a bath or swimming pool or any source of liquid.
10. To protect against electric shock, do not immerse cord or plug in water or any other liquid.
11. Do not insert or allow foreign objects to enter any ventilation or exhaust opening, as this may cause an electric shock, fire or damage to the heater.
12. Always unplug the heater when not in use.
13. Connect to properly grounded outlets only.
14. Always plug heaters directly into a wall outlet/receptacle. Never use with an extension cord or relocatable power tap (outlet/power strip).
15. Do not allow cord to overhang the counter top where it can be easily pulled by children.
16. Do not put fingers or foreign objects into the grill while in operation.
17. Do not leave the appliance unattended when in use.
18. This heater is not intended for use in bathrooms, laundry and similar indoor locations, never locate heater where it may fall into a bathtub or other water container.
19. No liability can be accepted for any damage caused by non compliance with these instructions or any other improper use or mishandling.
20. This appliance is not intended for use by persons (including children) with reduces physical, sensory or mental capabilities or lack of experience and knowledge unless they have been given supervision or instruction concerning the use of the appliance by a person responsible for their safety. Children and vulnerable people should be supervised to ensure they do not play with the appliance.

21. Use this heater only as described in this manual. Any other use not recommended by the manufacturer may cause fire, electric shock, or injury to persons.
22. Do not operate any heater with a damaged cord or plug or after the heater malfunctions, has been dropped or damaged in any manner. Disconnect power at service panel and have heater inspected by a reputable electrician before reusing. If the supply cord is damaged in any way, it must be replaced by the manufacturer or its service agent or a similarly qualified person in order to avoid a hazard.
23. Do not run cord under carpeting. Do not cover cord with throw rugs, runners, or similar coverings. Do not route cord under furniture or appliances. Arrange cord away from traffic area and where it will not be tripped over.
24. To disconnect heater, turn controls to off, then remove plug from outlet.
25. To prevent overheating of this appliance, keep the air inlets and outlets clean and free of anything that may cause blockage. Check all inlets and outlets from time to time to ensure it is clear of any dirt or dust accumulation. DO NOT COVER.
26. A heater has hot and arcing or sparking parts inside. Do not use it in areas where gasoline, paint, or flammable liquids are used or stored.
27. Parts of the heater may exceed 200 °C, contact with the heating tube, reflector, or metal parts near the heating tube, may cause severe BURNS. To avoid burns, do not let bare skin touch hot surface.
28. NEVER place hands under the heating elements. ALWAYS allow heating element to cool at least 10 minutes before touching the heating tube or adjacent parts.
29. This product contains recyclable materials. Do not dispose this product as unsorted municipal waste. Please contact your local municipality for the nearest collection point.

Introduction

Wishco FLEX infrared heater produce instant and comfortable heat like the sun. These robust and weatherproof heaters are designed for domestic and commercial heating applications within indoor and outdoor areas.

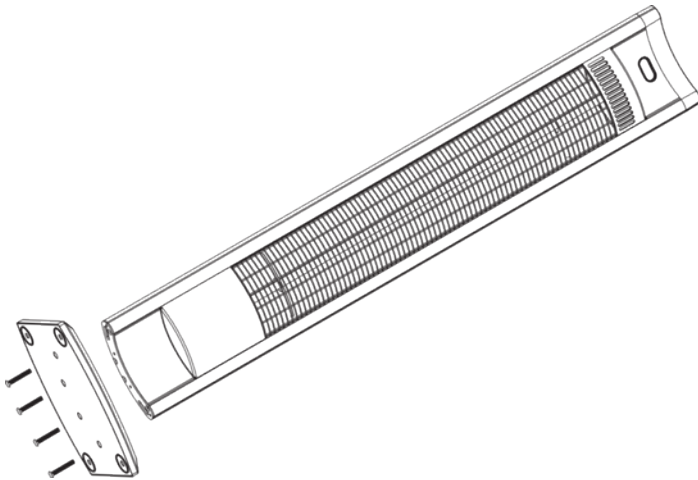
Voltage (V)	230 V
Wattage (W)	1000/2000 W
Hertz (Hz)	50-60
Dimensions, W x H x D (mm)	170 x 1030 x 65
Dimensions, base, W x H x D (mm)	268 x 24 x 205
Weight (kg)	4.2

Installation

Tools needed:

– **Screwdriver**

1. This heater should be installed by a competent person, i.e. a qualified electrician.
2. Always disconnected the heater from the electricity supply and allow it to cool before installation.
3. Keep the supply cord away from the body of the heater which will get hot during use.
4. If the heater is to be used outside, a weatherproof outlet is recommended.
5. Fasten the heater securely on the base plate using the screws supplied.

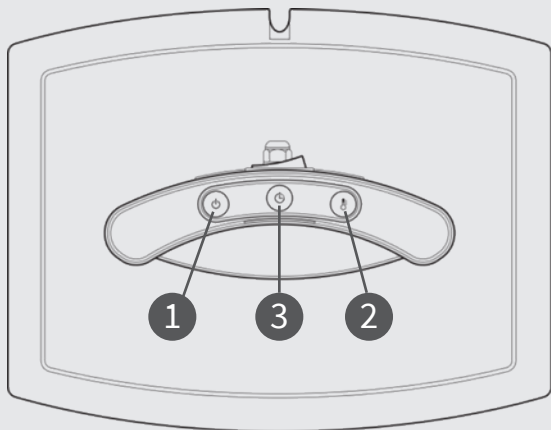


To reduce risk of fire

- Do not cover any objects such as clothes on the heater.
- Do not place the heater near the bed.
- Keep furniture, papers, clothes etc. away from the sides and rear
- Keep combustible materials, such as furniture, pillows, curtains at least 0.9 m away from the front of the heater and keep them away from the sides and rear.
- Hot surface, do not touch.
- Do NOT use with an extension cord or relocateable power tap (outlet/power strip).

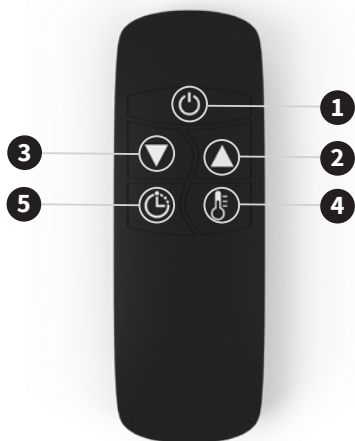
Operating

1. Turn on the power button, the product is in standby mode display (- -).
2. Press heating level button: select the heating level (L1 - L2 - standby - off).
3. Press timer button: To set the timer from 0H-24H, which is the number of hours it will run. 0H will display and then adjust to the number of hours you would like to set.



Remote control instructions

Remote control instructions	
Button	
1	Turn heater ON/OFF
2	Increase sleep time and temperature (max. level 2)
3	Decrease sleep time and temperature (min. level 1)
4	Enable level setting mode [Default: starts at last level used]
5	Sleep timer, hours



Please note

All Wishco FLEX heaters and their remote controls have the same frequency, so it is possible to control several heaters with just one remote control.

Inserting batteries (not included)

Insert 2 AAA / Alkaline type batteries into your remote control.

1. Flip the back of your remote control and pull out battery cover. Insert the batteries in accordance with the instructions and polarity of the batteries.
2. Change the batteries in the same way as described above.

Notice

1. Replace the old batteries with batteries of the same type. Otherwise, your heater may not function well.
2. Remove the batteries in case of long terms of disuse to prevent leakage, which may impair your remote control.
3. Do not allow water or liquid to get into the remote control.

Caution

When the appliance is not operated for a long time, cleaning or maintenance is conducted, or when the location of the heater is changed, the heater should be turned to OFF and unplugged from the electrical connection.

Periodic inspection and removal of dirt and contaminants will ensure that the equipment can be operated safely.

Troubleshooting

1. Check if the power cord is plugged into an electrical outlet, if not, plug in.
2. Check if electricity to the main fuse is working
3. Error code shows on display

E1 Error on display:

Control unit overheat. Check installation clearances.

E2 Error on Display:

Tip over function, Make heater less than 60° working angel and restart heate

Maintenance

Attention! Careful and regular maintenance of your heater considering our instructions assume great importance so as to attain a long efficient operation of your appliance.

1. Check the filthiness of the Reflector and IR-Filament at least once a month. If necessary, apply cleaning and maintenance instructions.
2. The number of checks may be increased considering the amount of the dust in the environment.
3. Check the deformation of the Reflector, Wire and Frame visually while cleaning the appliance. In case of deformation, consult to your technical service.
4. Check the Power Cord and Plug visually while cleaning the appliance. In case of deformation, consult to your technical service.

Cleaning

Regular and careful cleaning helps your infrared heater operate efficiently for many trouble free years.

To clean your heater follow steps below:

1. Unplug the power cord for your safety before cleaning your appliance.
2. Make sure the heater is cool before continuing.
3. To keep the heater clean, the outer shell maybe cleaned with a soft, damp cloth. You may use a mild detergent if necessary. After cleaning, dry the unit with a soft cloth. (CAUTION: DO NOT let liquids enter the heater).
4. DO NOT use alcohol, gasoline, abrasive powders, furniture polish or rough brushes to clean the heater. This may cause damage or deterioration to the surface of the heater.
5. DO NOT immerse the heater in water
6. Wait until the heater is completely dry before use.

Storage

Store the heater in a cool, dry location when not in use to prevent dust and dirt build up. Use packaging carton to store.

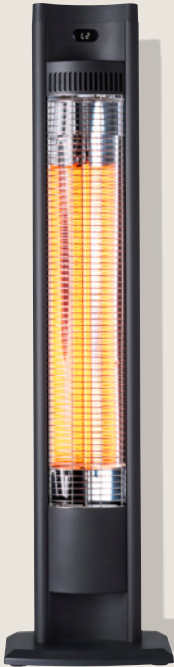
Attention

1. Always disconnect the heater from the electricity supply and allow it to cool before attempting to work on it.
2. If the heater has collected dust or dirt inside the unit or around the heating element, have to unit cleaned by a qualified service agent. Do not operate the heater in this condition.
3. The only maintenance required is cleaning of the external surfaces of the heater.
4. Do not touch the heating element with bare fingers, as residue from your hand could affect the life of the lamp. If it is accidentally touched, remove the finger marks with a soft cloth moistened with mentholated spirit or alcohol.
5. Do not attempt to repair or adjust any electrical or mechanical functions on this heater.
6. The heater contains no user serviceable parts. Should the product suffer damage or breakdown, it must be returned to the manufacturer or its service agent.
7. Damaged supply cords to be replaced by the manufacturer, service agent or similarly qualified person in order to avoid hazard.

Recycling

At the end of the electrical products useful life it should not be disposed of with household waste. Please recycle where facilities exist. Check with your local authority or retailer for recycling advice in your country.

FLEX



Contact: info@wishco.eu
Information: wishco.eu

wishco°
HEAT FOR EVERYONE