

Please note, the infographic covers the some major areas of the UCI Regulations, however by no means it is exhaustive. For more details please refer to the UCI Regulations and the UCI Clarification Guide of the UCI Technical Regulations.

UNLESS OTHERWISE SPECIFIED:
DIMENSIONS ARE IN MILLIMETERS
SURFACE FINISH:
TOLERANCES:
LINEAR:
ANGULAR:

FINISH:

DEBURR AND BREAK SHARP EDGES

DO NOT SCALE DRAWING REVISION

UCI Innovation Unit

TITLE:
2023 Technical Regulations

DWG NO. **Mass Events** **A3**
Track / Road / Cyclo-Cross

SCALE:1:10 SHEET 1 OF 1

NAME	SIGNATURE	DATE
DRAWN Andrei Krasnikau		
CHK'D		
APPV'D		
MFG		
Q.A		

MATERIAL:

Height Category, cm

CATEGORY 1	CATEGORY 2	CATEGORY 3
<180.0	180.0-189.9	≥ 190.0

S - the horizontal distance between the peak tip of the saddle and the vertical line passing through the bottom bracket
 E - the horizontal distance between the vertical planes passing through the bottom bracket axle and the extremity of the fixed time trial extension handlebar
 F - the horizontal distance between the front line of the Forearm support box and the vertical plane passing through the extremity of the extension. The minimum distance is set for 180mm
 H - the height difference (the vertical distance) between the midpoint of the forearm support and the highest or lowest point of the extension (including accessory)

Exemptions, Article 1.3.013

	Saddle, mm		
	CATEGORY 1	CATEGORY 2	CATEGORY 3
S*	0 ≤ S ≤ 50*		
E	≤ 750		
F	≥ 180		
H	<100	< 120	< 140

OR

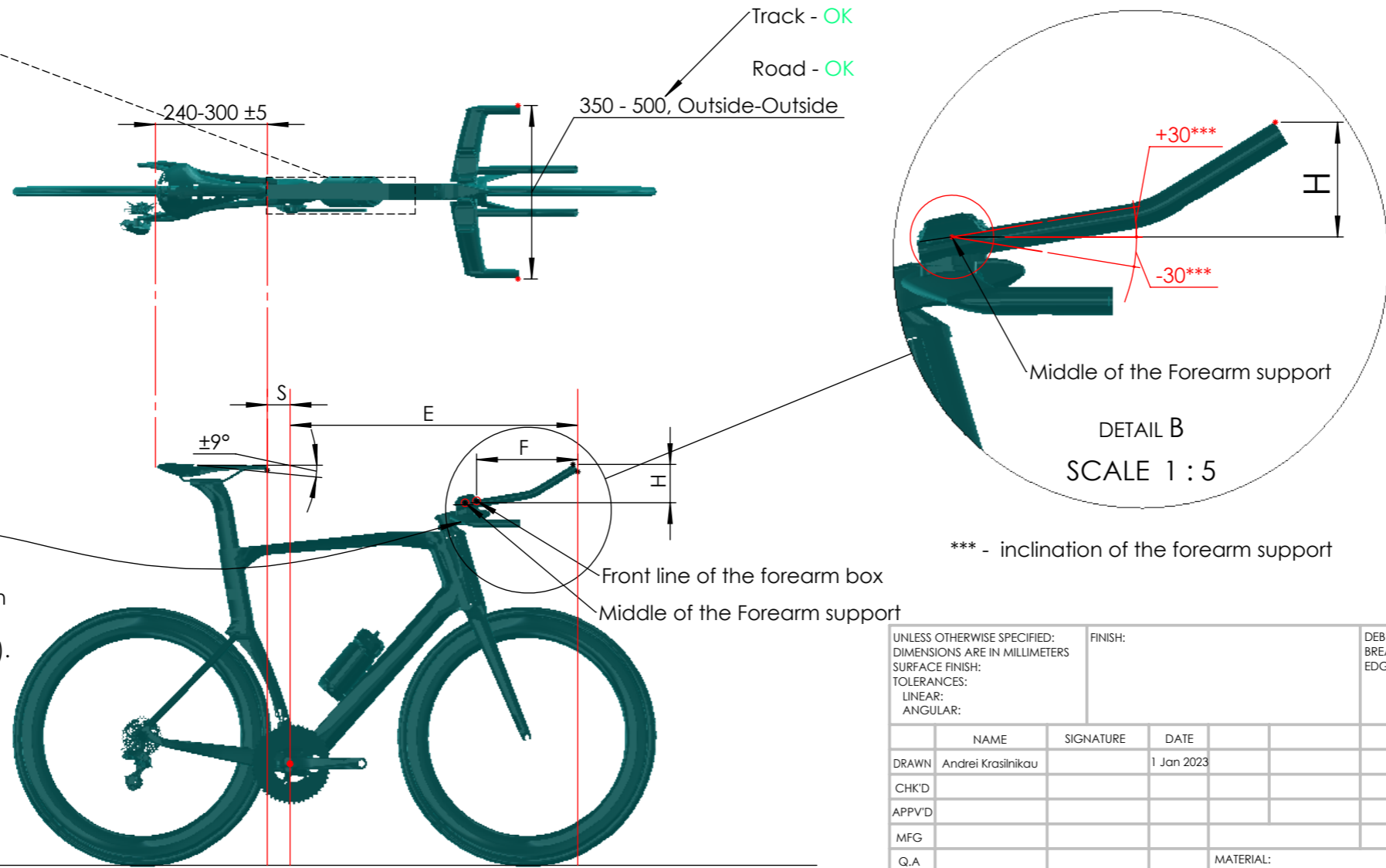
	Extensions, mm		
	CATEGORY 1	CATEGORY 2	CATEGORY 3
S	> 50		
E	≤ 800	≤ 830	≤ 850
F	≥ 180		
H	< 100	< 120	< 140

* - in no case the peak of the saddle can exceed the vertical line passing through the bottom bracket spindle

	UCI Height Category Label is required
Road:	
Individual Time Trial	YES
Team Time Trial	YES
Team Time Trial Mixed relay	YES
Track:	
Individual Pursuit	YES
Team Pursuit	YES
500m / 1km	YES

The UCI Height Category Label must be applied on a frame, the upper side of the top tube area.

Please note: a bicycle without the UCI Height Category Label will be measured by the UCI Commissaire under the Default Measurements as per Article 1.3.023.



The traditional type of handlebars or the base bar must be positioned in the area defined in article 1.3.022 (A, B, C, D).

Reference plane**

** - all measurements are taken in relation to the Reference Plane

Please note, the infographic covers the some major areas of the UCI Regulations, however by no means it is exhaustive. For more details please refer to the UCI Regulations and the UCI Clarification Guide of the UCI Technical Regulations.

UCI Equipment Page



UNLESS OTHERWISE SPECIFIED: DIMENSIONS ARE IN MILLIMETERS SURFACE FINISH: TOLERANCES: LINEAR: ANGULAR:		FINISH:	DEBURR AND BREAK SHARP EDGES	DO NOT SCALE DRAWING	REVISION
NAME	SIGNATURE	DATE		Innovation Unit	
DRAWN Andrei Kraslinikou		1 Jan 2023		TITLE: 2023 Technical Regulations	
CHK'D				DWG NO. Individual/Team Events Track / Road	
APPV'D				A3	
MFG				SCALE:1:15 SHEET 1 OF 1	
Q.A			MATERIAL:		