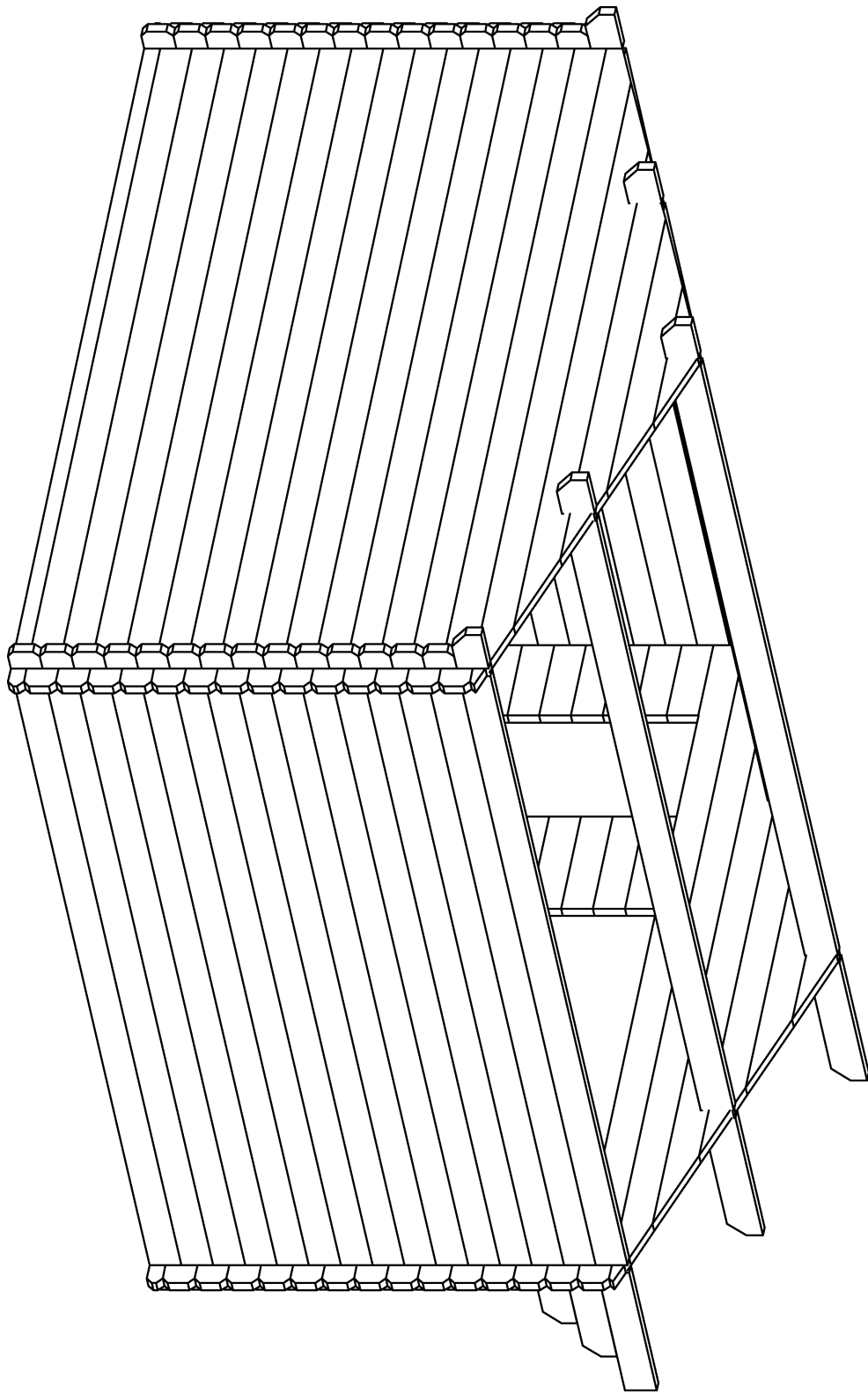
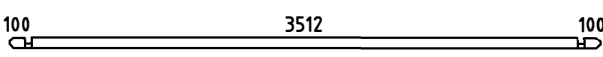
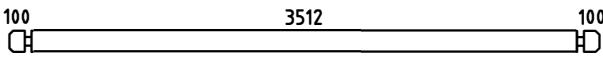
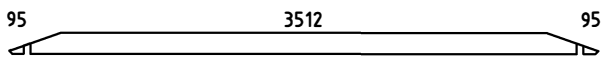
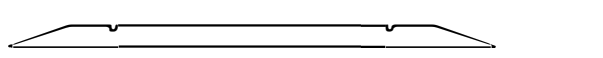

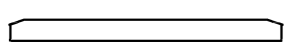
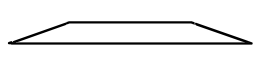
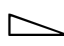
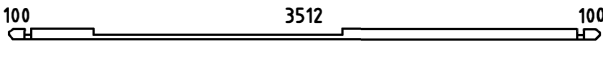
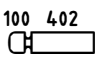
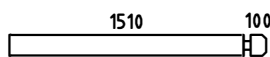
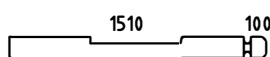
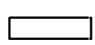
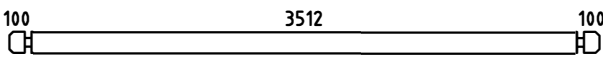
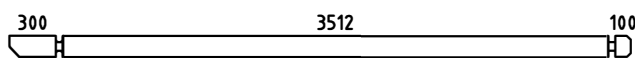
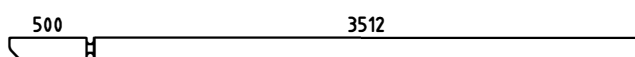
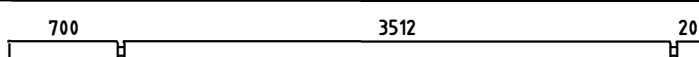
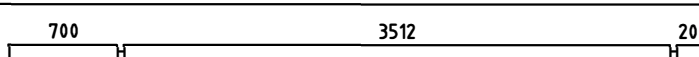
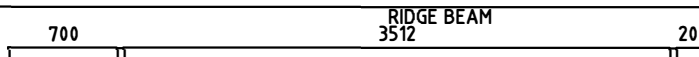
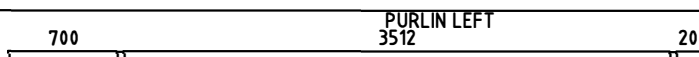
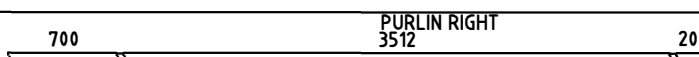
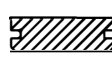



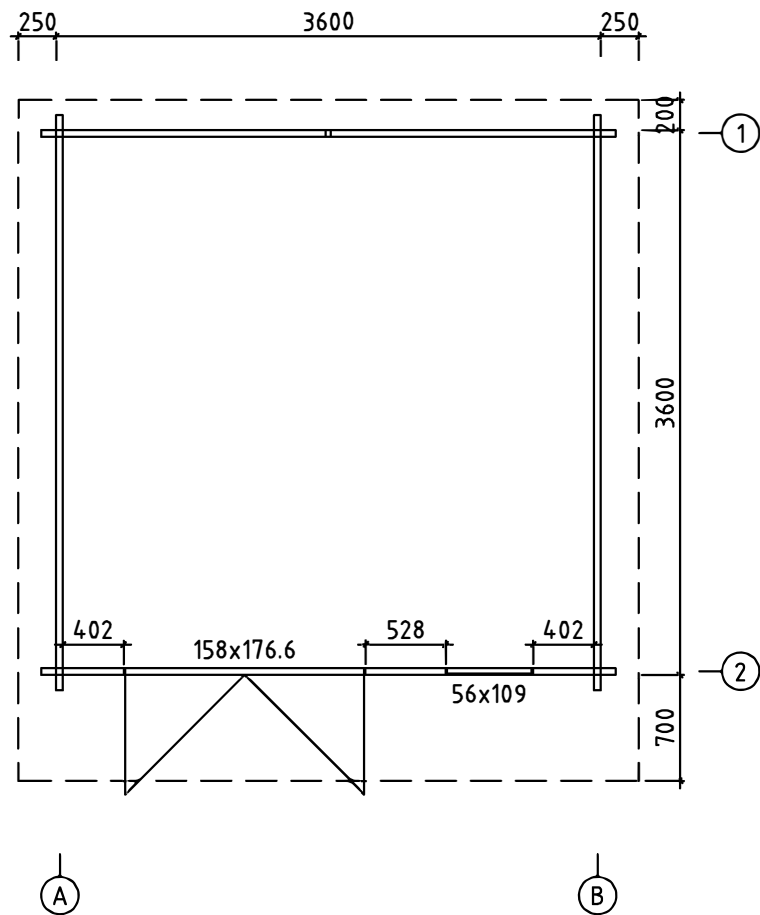


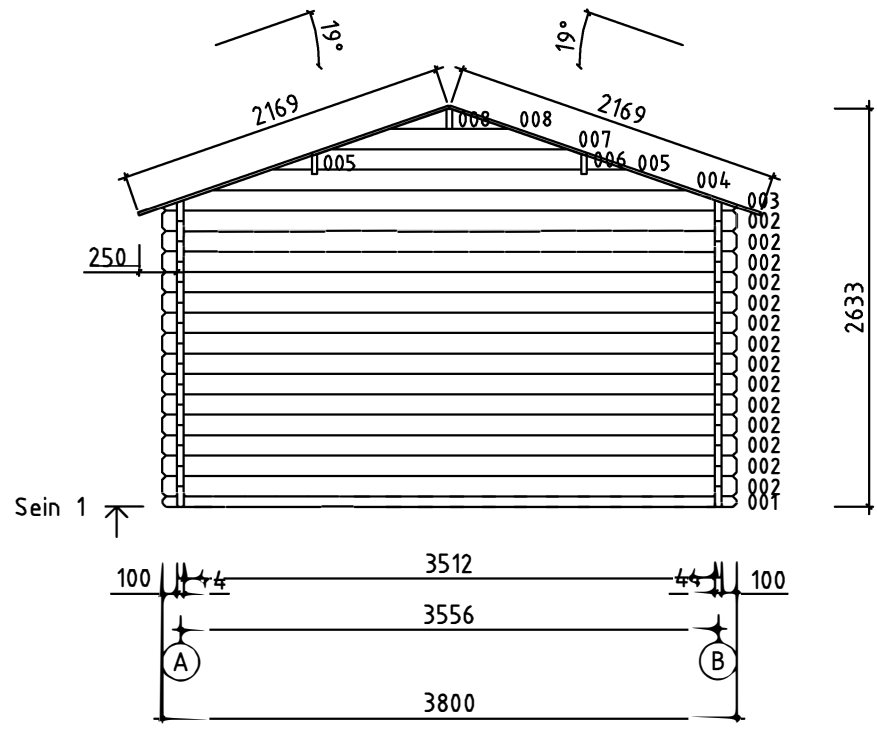
Svanhild



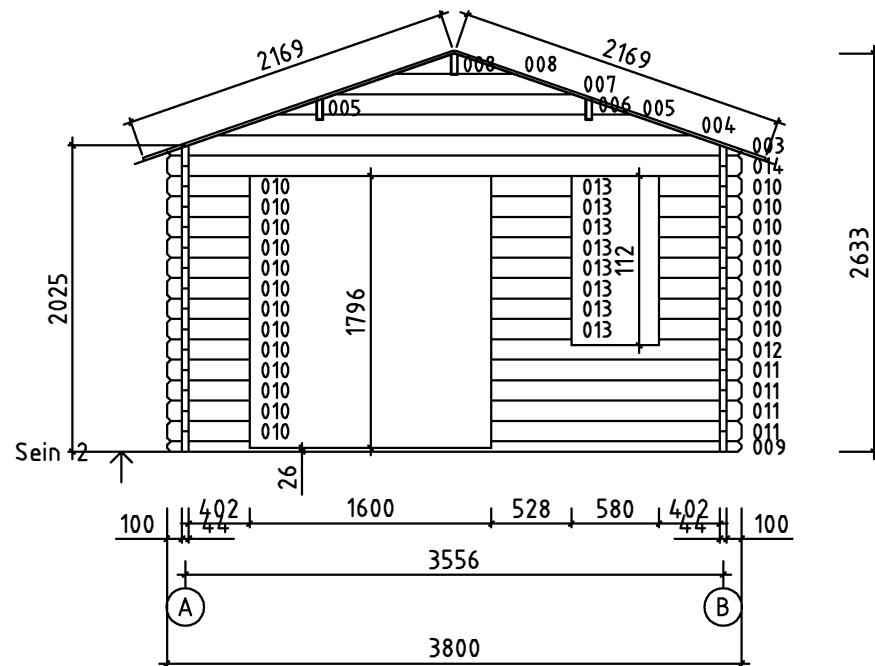
| Pos | Joonis Svanhild-44 | Arv | Profiil (mm) | Pikkus (mm) | | |
|------|--|----------|-----------------|-----------------|------|-----|
| 001 |  | 1 | 44x68 | 3800 | | |
| 002 |  | 38 | 44x135 | 3800 | | |
| 003 |  | 2 | 44x135 | 3789 | | |
| 004 |  | 2 | 44x135 | 3122 | | |
| 005 |  | 4 | 44x91 | 264 | | |
| 006 |  | 2 | 44x135 | 1760 | | |
| 007 |  | 2 | 44x135 | 1561 | | |
| 008 |  | 4 | 44x129 | 373 | | |
| 009 |  | 1 | 44x68 | 3800 | | |
| 010 |  | 21 | 44x135 | 546 | | |
| 011 |  | 4 | 44x135 | 1654 | | |
| 012 |  | 1 | 44x135 | 1654 | | |
| 013 |  | 8 | 44x135 | 528 | | |
| 014 |  | 1 | 44x135 | 3800 | | |
| 015 |  | 2 | 44x135 | 4000 | | |
| 016 |  | 2 | 44x135 | 4200 | | |
| 017 |  | 1 | 44x135 | 4500 | | |
| 018 |  | 1 | 44x135 | 4500 | | |
| HT1 |  | 1 | 45x140 | 4500 | | |
| PL1 |  | 1 | 45x140 | 4500 | | |
| PR1 |  | 1 | 45x140 | 4500 | | |
| | LAELAUDIS  | 100 | 90x19 | 2169 | | |
| | Eaves board  | 4 | 19x90 | 4500 | | |
| | Eaves slat  | 4 | 19x45 | 4500 | | |
| | Gable board  | 4 | 19x90 | 2340 | | |
| Kood | Svanhild-44 | Materjal | File | Svanhild-44.dwg | Leht | 1/2 |



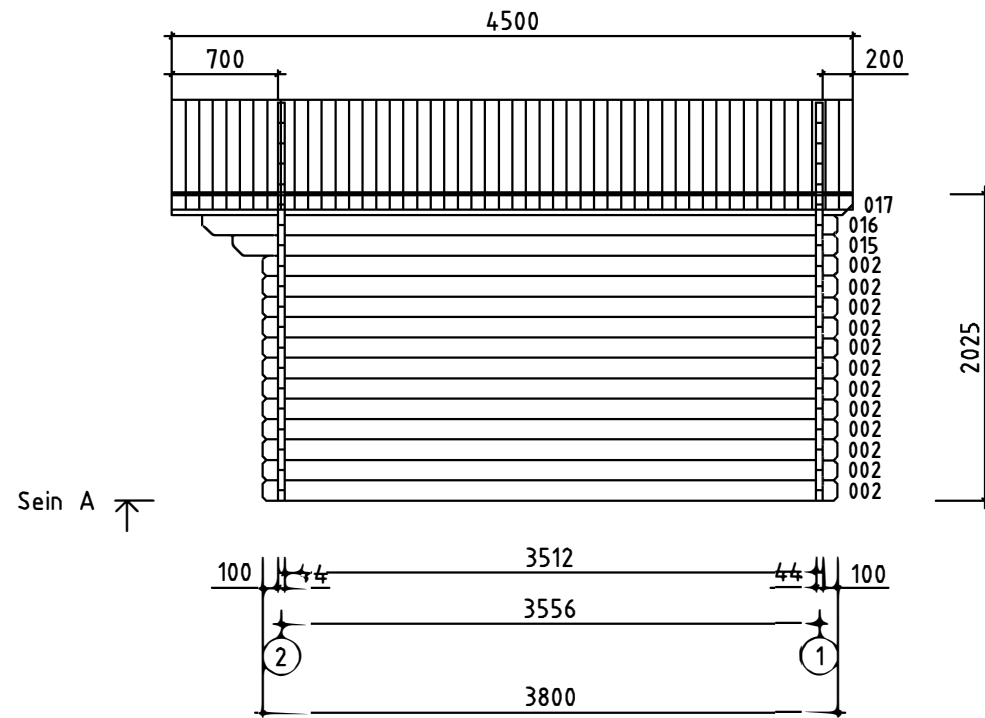
| | | | |
|-----------|-------------|----------|-------------------|
| Kood | Svanhild-44 | Leht | |
| Joonis | Plan | Mootkava | 1:50 |
| Materjal | 44x135 | Kuup. | 02.12.2019 |
| Joonestas | | File | Svanhild-44x135.d |



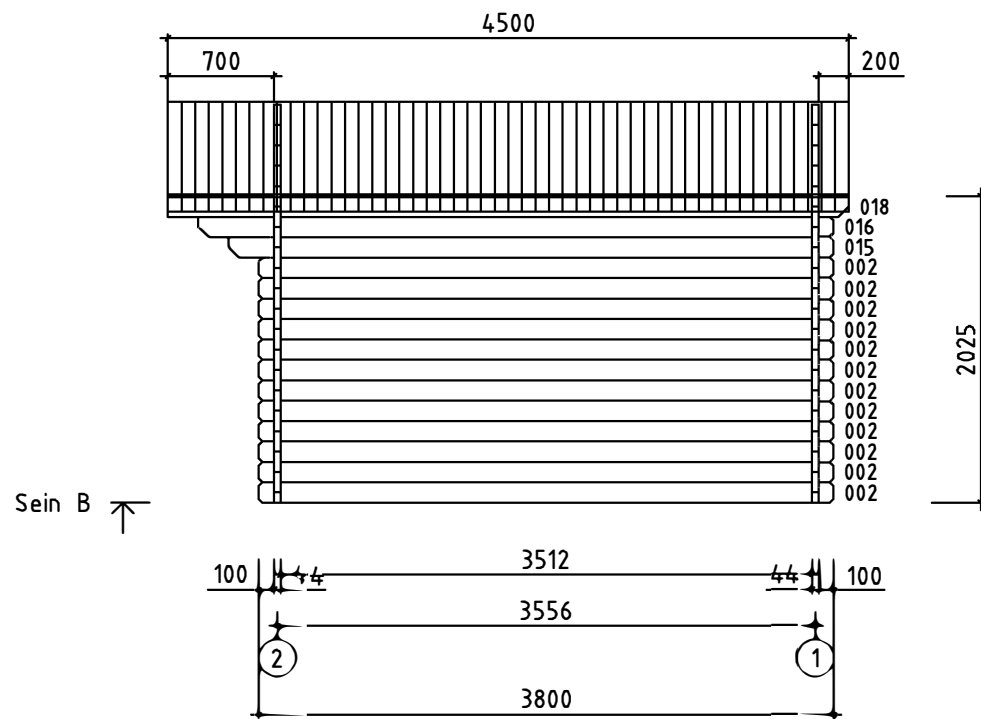
| | | | |
|-----------|----------------------|----------|------------|
| Kood | Svanhild-44 | Leht | 4 |
| Joonis | SEIN 1 | Mootkava | 1:50 |
| Materjal | 4.4x13.5 | Kuup. | 02.12.2019 |
| Joonestas | File Svanhild-44.dwg | | |



| | | | |
|-----------|----------------------|----------|------------|
| Kood | Svanhild-44 | Leht | 5 |
| Joonis | SEIN 2 | Mootkava | 1:50 |
| Materjal | 4.4x13.5 | Kuup. | 02.12.2019 |
| Joonestas | File Svanhild-44.dwg | | |

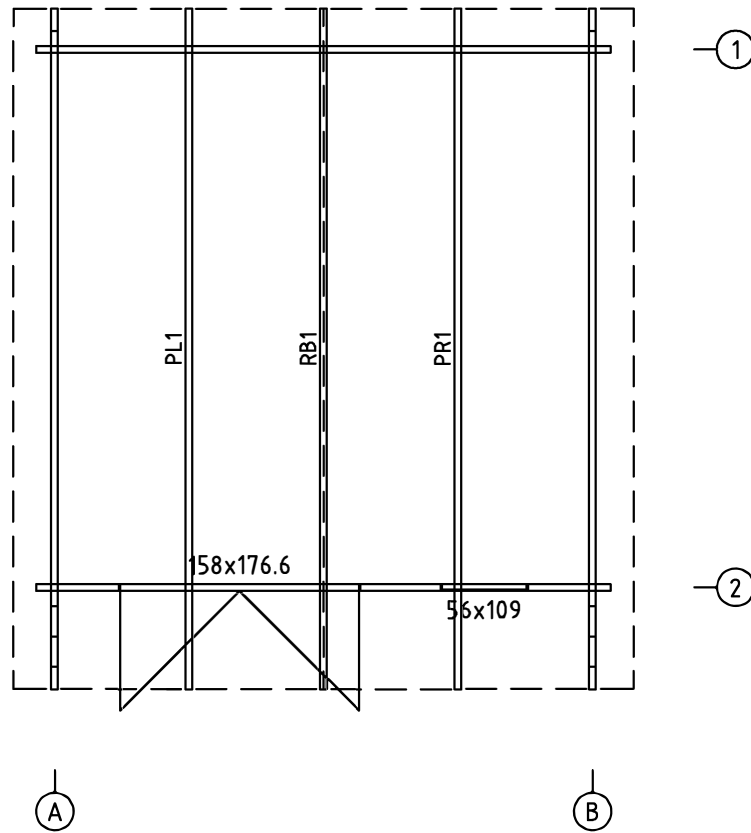


| | | | |
|-----------|----------------------|----------|------------|
| Kood | Svanhild-44 | Leht | 2 |
| Joonis | SEIN A | Mootkava | 1:50 |
| Materjal | 4.4x13.5 | Kuup. | 02.12.2019 |
| Joonestas | File Svanhild-44.dwg | | |



Sein B ↗

| | | | |
|-----------|----------------------|----------|------------|
| Kood | Svanhild-44 | Leht | 3 |
| Joonis | SEIN B | Mootkava | 1:50 |
| Materjal | 4.4x13.5 | Kuup. | 02.12.2019 |
| Joonestas | File Svanhild-44.dwg | | |



| | | | |
|-----------|-----------------|----------|-------------------|
| Kood | Svanhild-44 | Leht | |
| Joonis | Roof beams plan | Mootkava | 1:50 |
| Materjal | 44x135 | Kuup. | 02.12.2019 |
| Joonestaj | | File | Svanhild-44x135.d |