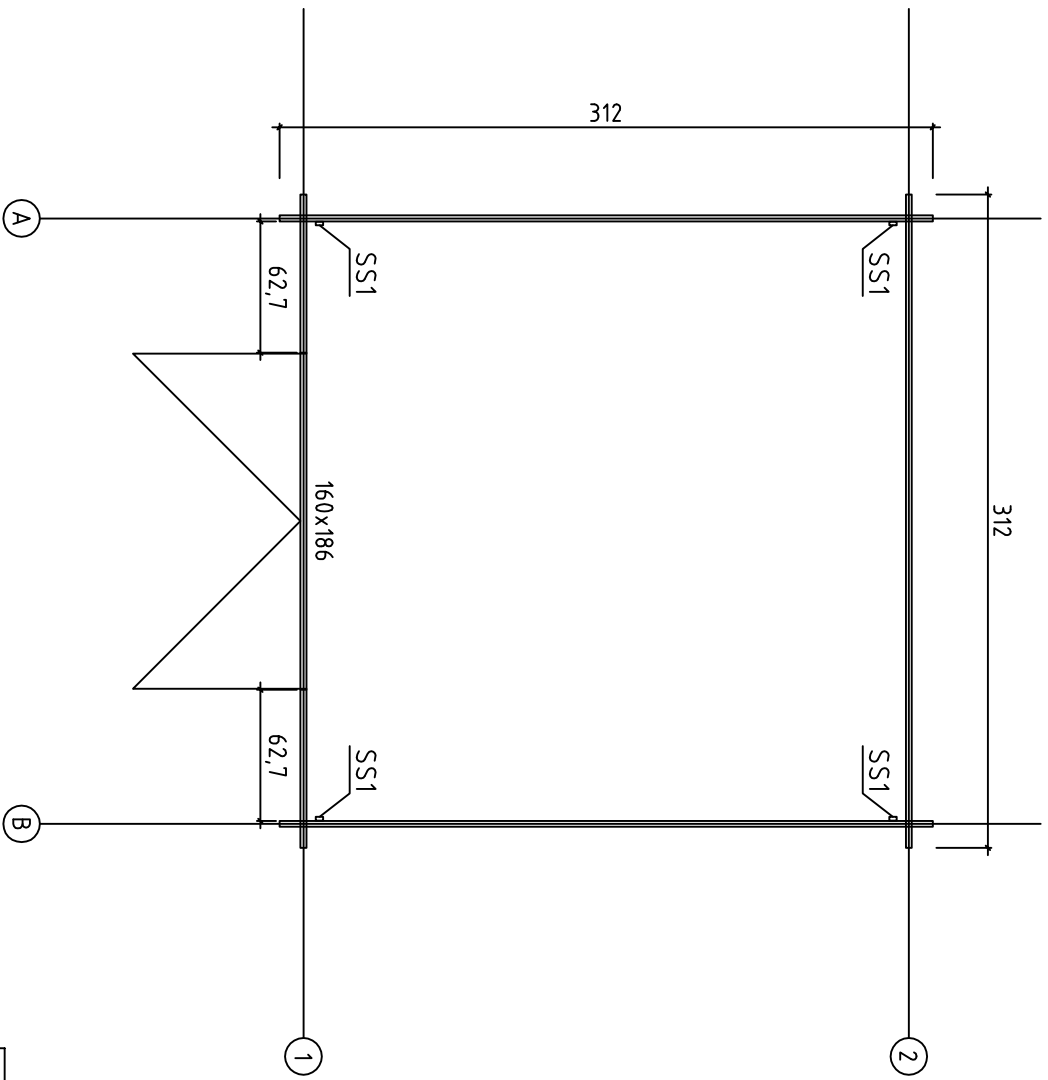


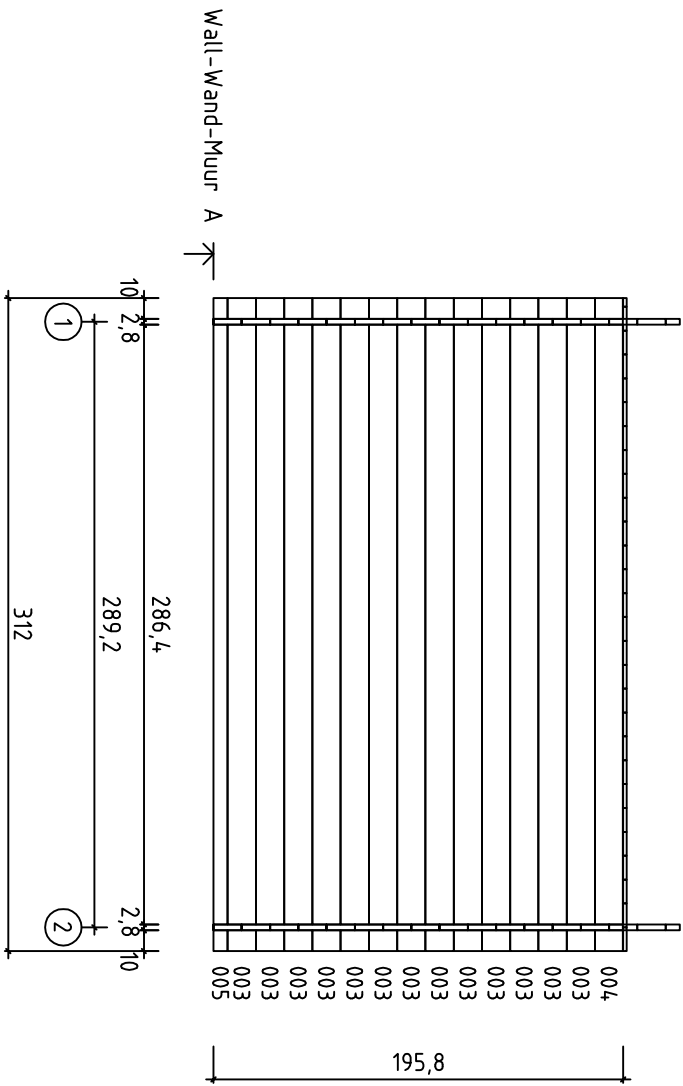
Date rev. Description

V 1.0

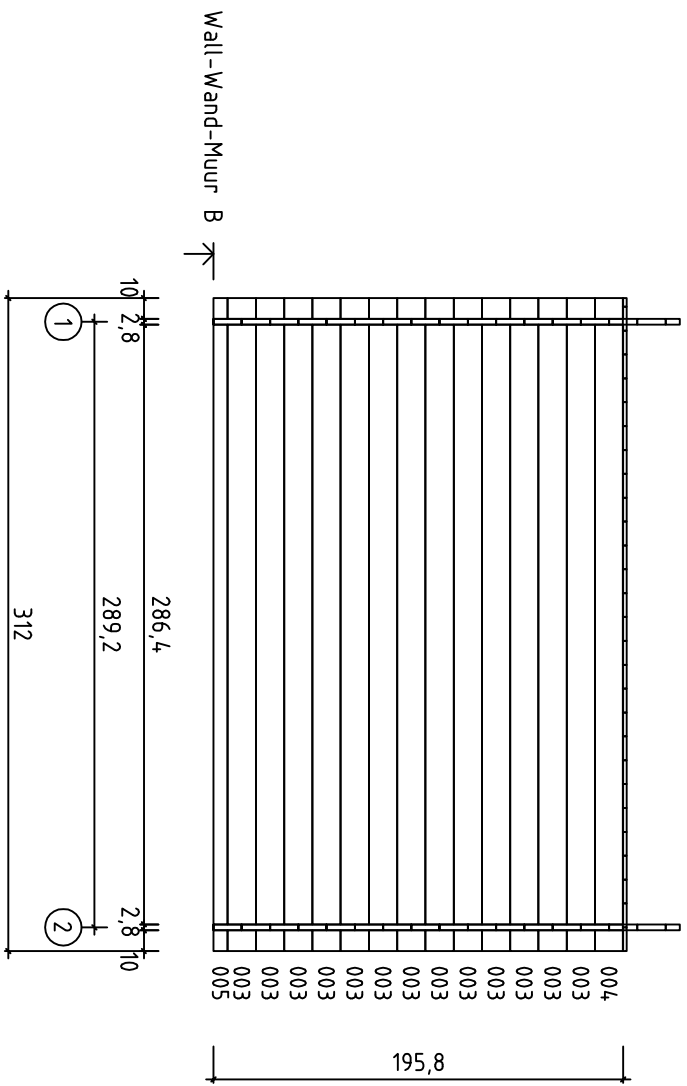
House	Høder-28	Sheet	1
Drawing	3D	Scale	
Material	28x135	Date	21.10.2019
Drawer	K.K.	File	Høder-28 3D.dwg



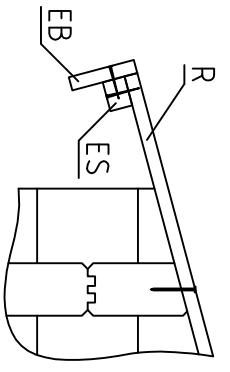
House	Høder-28	Sheet	2
Drawing	Plan	Scale	1:35
Material	28x135	Date	23.10.2019
Drawer	K.K.	File	Høder-28.dwg



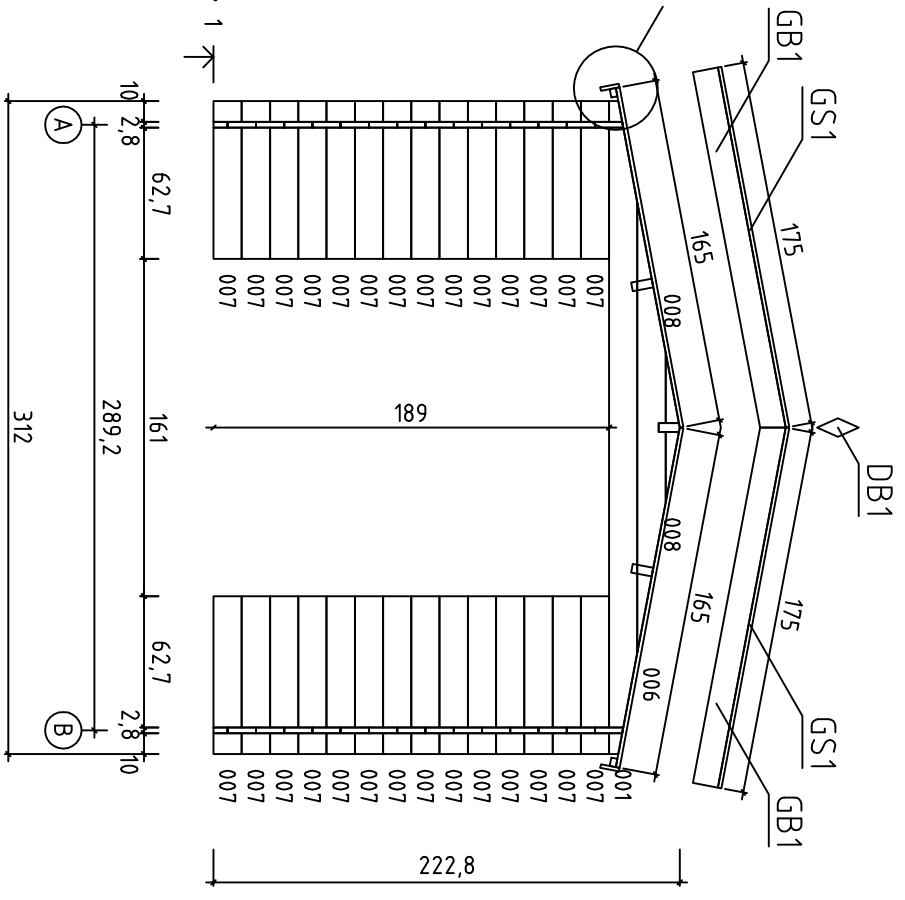
House	Høder-28	Sheet	3
Drawing	WALL-WAND-MUUR A	Scale	1:35
Material	2.8x13.5	Date	23.10.2019
Drawer	K.K.	File	Høder-28.dwg



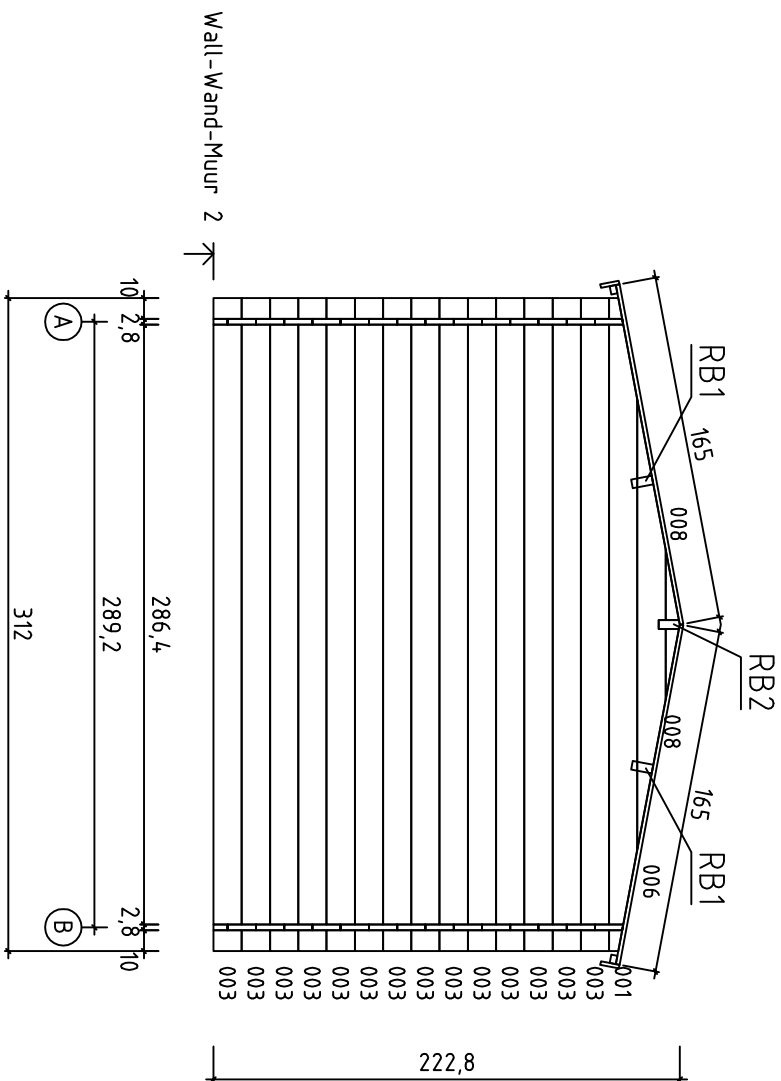
House	Høder-28	Sheet	4
Drawing	WALL-WAND-MUUR B	Scale	1:35
Material	2.8x13.5	Date	23.10.2019
Drawer	K.K.	File	Høder-28.dwg



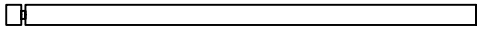
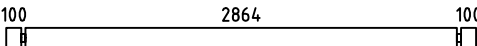
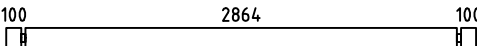
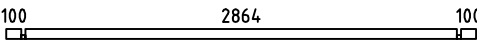
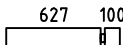

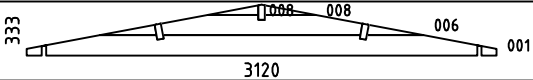
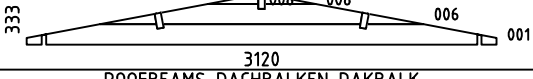
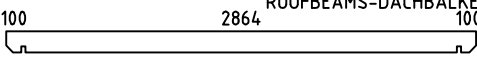
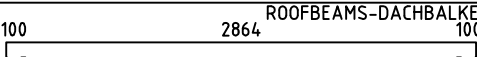

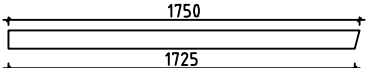







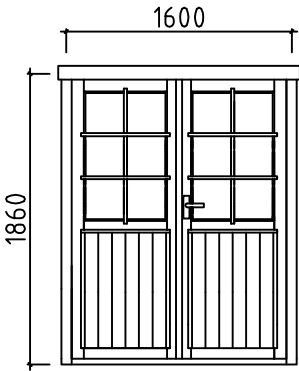






Wall-Wand-Muur 1



House	Høder-28	Sheet	5
Drawing	WALL-WAND-MUUR 1	Scale	1:35
Material	2.8x13.5	Date	23.10.2019
Drawer	K.K.	File	Høder-28.dwg



House	Høder-28	Sheet	6
Drawing	WALL-WAND-MUUR 2	Scale	1:35
Material	2.8x13.5	Date	23.10.2019
Drawer	K.K.	File	Høder-28.dwg

Pos	Specification-Bestimmung-Omschrijving Høder-28	Pcs	Profile (mm)	L (mm)		
002	SPARE BEAM-ERZATZBOHLE-VOORRAADPLANK 	1	28x135	3120		
003		40	28x135	3120		
004		2	28x135	3120		
005		2	28x68	3120		
007		28	28x135	755		
HB	HIT BLOCK-SCHLAGHÖLZER-BLAZENPLANK 	2	28x135	300		
W1-1		1	28x333	3120		
W2-1		1	28x333	3120		
RB1	ROOFBEAMS-DACHBALKEN-DAKBALK 	2	43x140	3120		
RB2	ROOFBEAMS-DACHBALKEN-DAKBALK 	1	43x140	3120		
R1	ROOFBOARD-DACHBRETT-DAKPLANK  or-oder-of	73+1 56+1	18x88 18x114	1650		
GB1	GABLE BOARD-GIEBELBLENDE-GEVELPLANK 	4	18x120	1750		
GS1	ROOF FELT FILLET-GIEBELLEISTE-GEVELLIJST 	4	18x70	1750		
EB1	EAVE BOARD-TRAUFBRETT-AFDEKPLANK 	2	18x90	3120		
ES1	EAVE SLAT-TRAUFENLEISTE-AFDEKLIJST 	2	30x40	3120		
DB1	DIAMOND-RAUTE-DIAMANT 	2	18x90	200		
SS1	STORM SLAT-STURMLEISTE-STORMLIJST 	4	18x35	1900		
	SCREWS-SCHRAUBEN-SCHROEF FOR-FÜR-VOOR SS1 	12	ø6.0	50		
	WASHER-SCHEIBE-SCHIJF FOR-FÜR-VOOR SS1 	12	ø6.0	18		
	DOUBLEDOOR-DOPPELTÜR-DUBBELE DEUR (right-rechts-Droit) AST_PL       	P 1 1 1 6 2	1600	1860		
Kood	Høder-28	Materjal	File	Høder-28.dwg	Leht	7