

BUILDING CODE Aldis	WALL LOG (mm): 28
SIZE (mm): 3000x2000	

<h2 style="margin: 0;">COMPONENT SPECIFICATION</h2>	
---	--

NUMBER	COMPONENT FUNCTION	COMPONENT CODE	VIEW	SIDE VIEW	DIMENSIONS (mm)			QUANTITY (psc.)
					LENGHT	WIDTH	THICKNESS	
1	Wall board	A3,A4			695	115	28	32
2	Wall board	A5,B2			3000	115	28	18
3	Wall board	C1,D1			2000	115	28	36
4	Wall board	A6			3200	115	28	1
5	Wall board	A7			3200	115	28	1
6	Wall board	B3			3200	115	28	1
7	Wall board							
8	Wall board							
9	Wall board	A9			150	42	28	1/1
10	Wall board	A10			2844	42	28	1
11	Wall board	A1,A2			695	55	28	1/1
12	Wall board	B1			3000	55	28	1
13	Beam				3200	120	40	1
14	Roof board				2195	135	19	24
15	Window							
16	Door D-1				1880	1590		1
17	Fascia board				3200	38/50	16	2
18	Fascia board				2200	38/50	16	2
19	Apex	C2,D2			2200	115	28	2
20	Roof	A8,B4			3238	255	19	2
21	Roof	C3,D3			2200	255	19	2
22								
23								
24								
25								

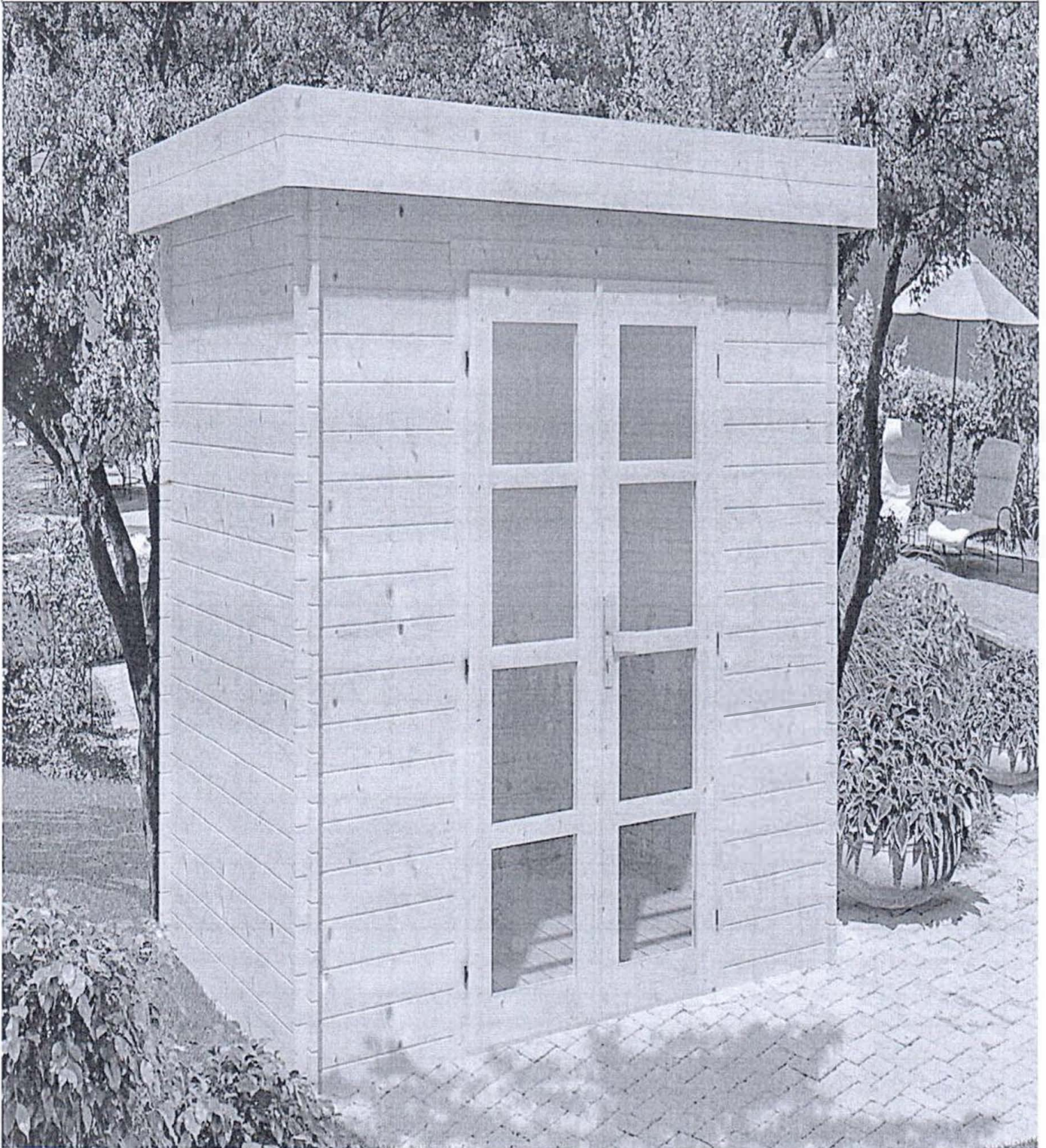
PACKAGE NR.:	MNFCT. ORDER NR.:	PAGE/PAGES: 1/5
CONTROL 1 SIGNATURE	CONTROL 2 SIGNATURE	

BUILDING CODE **Aldis**

WALL LOG (mm): 28

SIZE (mm): 3000x2000

ISOMETRIC VIEW



PACKAGE NR.:

MNFCT. ORDER NR.:

CONTROL 1

CONTROL 2

SIGNATURE

SIGNATURE

PAGE/PAGES: **2/5**

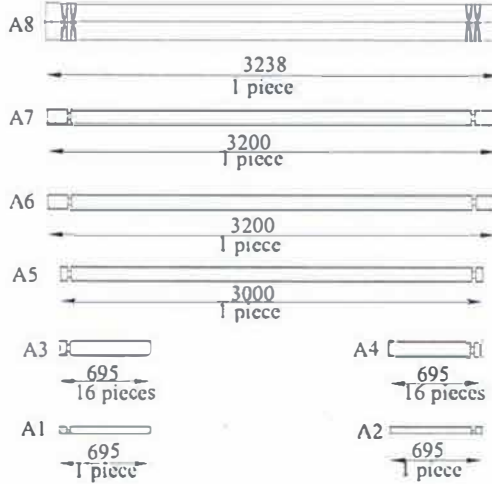
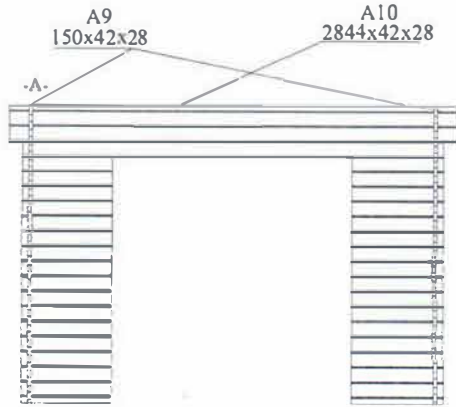
BUILDING CODE

Aldis

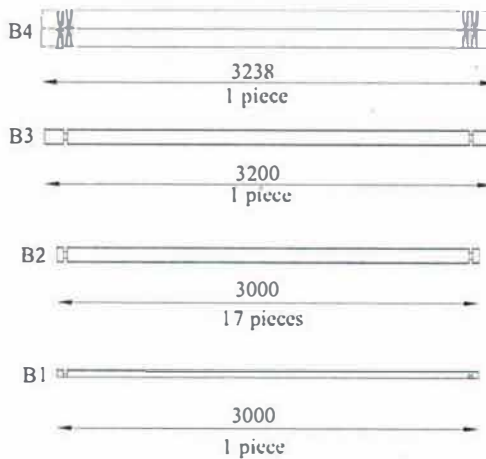
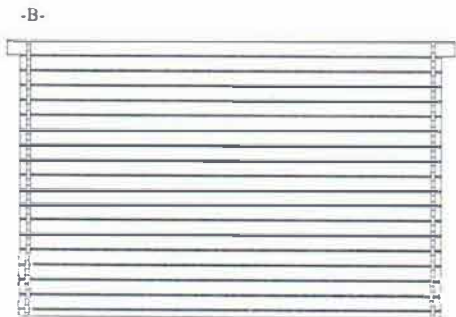
Wall log (mm):28

Size (mm):3000x2000

FRONT VIEW



BACK VIEW



PACKAGE NR.:

MNFCT.ORDER NR

CONTROL 1

CONTROL 2

PAGE/PAGES: 3/5

SIGNATURE

SIGNATURE

BUILDING CODE

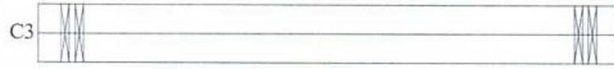
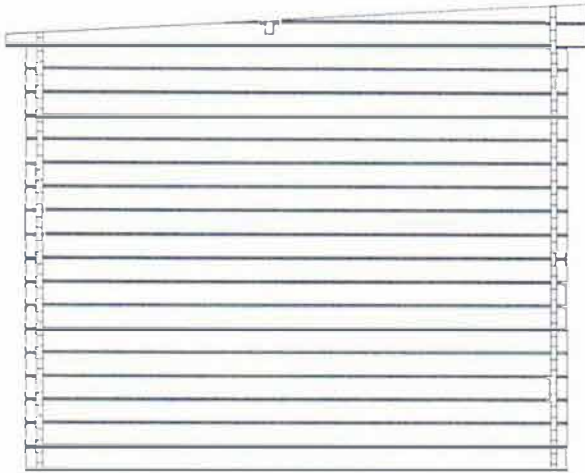
Aldis

Wall log (mm):28

Size (mm):3000x2000

LEFT VIEW

-C-



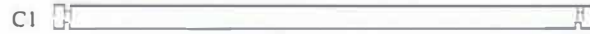
2200

1 piece



2200

1 piece

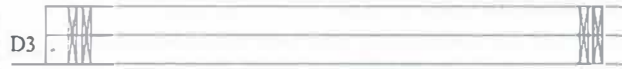
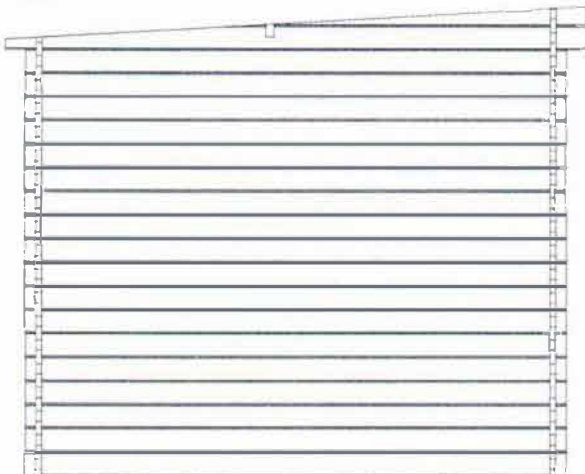


2000

18 pieces

RIGHT VIEW

-D-



2200

1 piece



2200

1 piece



2000

18 pieces

PACKAGE NR.:

MNFCT.ORDER NR

CONTROL 1

CONTROL 2

PAGE/PAGES: 4/5

SIGNATURE

SIGNATURE

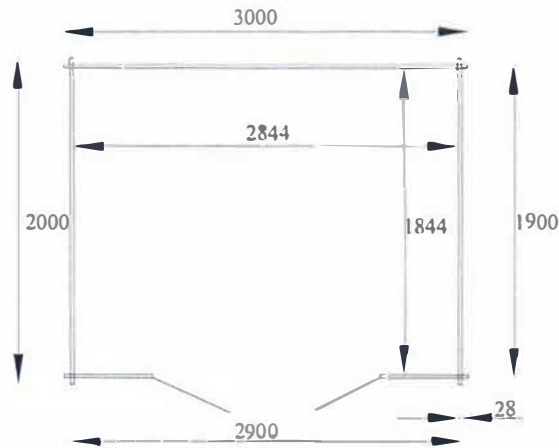
BUILDING CODE

Aldis

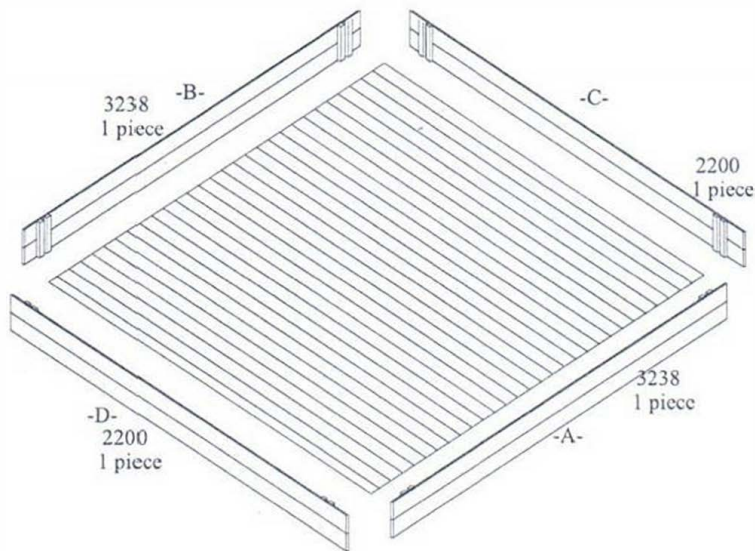
Wall log (mm):28

Size (mm):3000x2000

FLOOR PLAN



ROOF PLAN



PACKAGE NR.:

MNFCT.ORDER NR

CONTROL 1

CONTROL 2

PAGE/PAGES: **5/5**

SIGNATURE

SIGNATURE