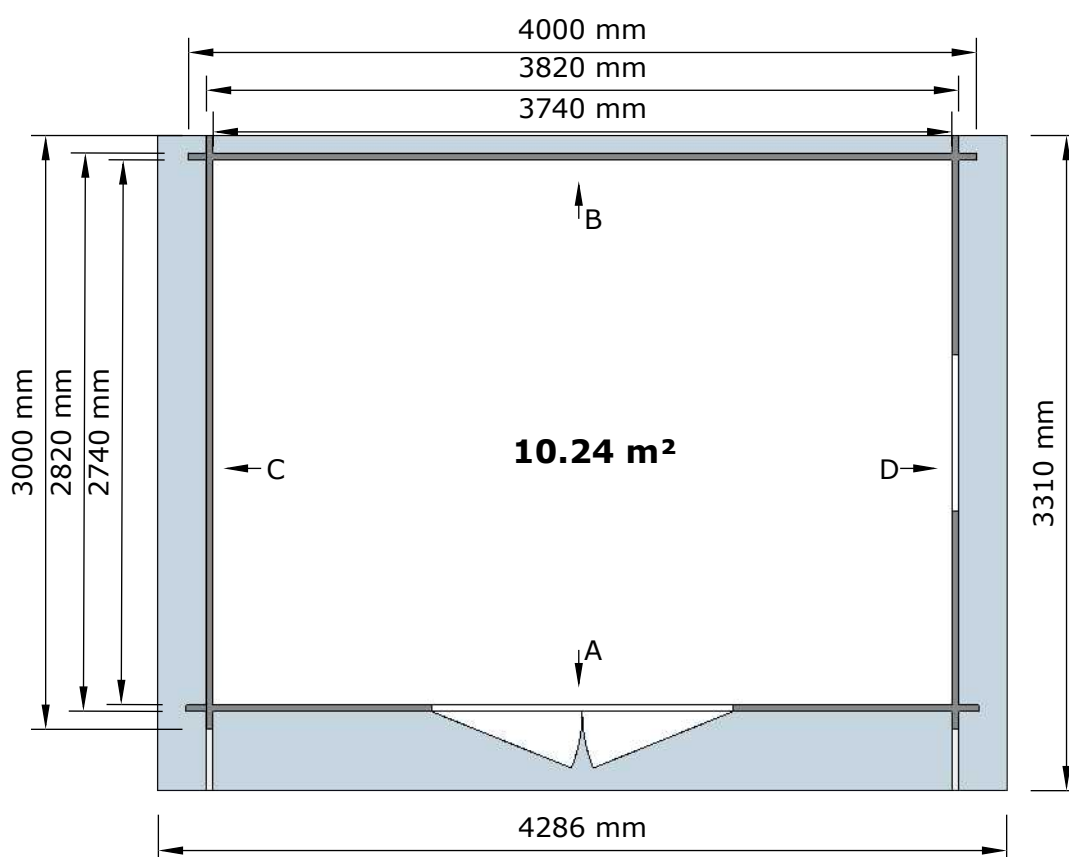
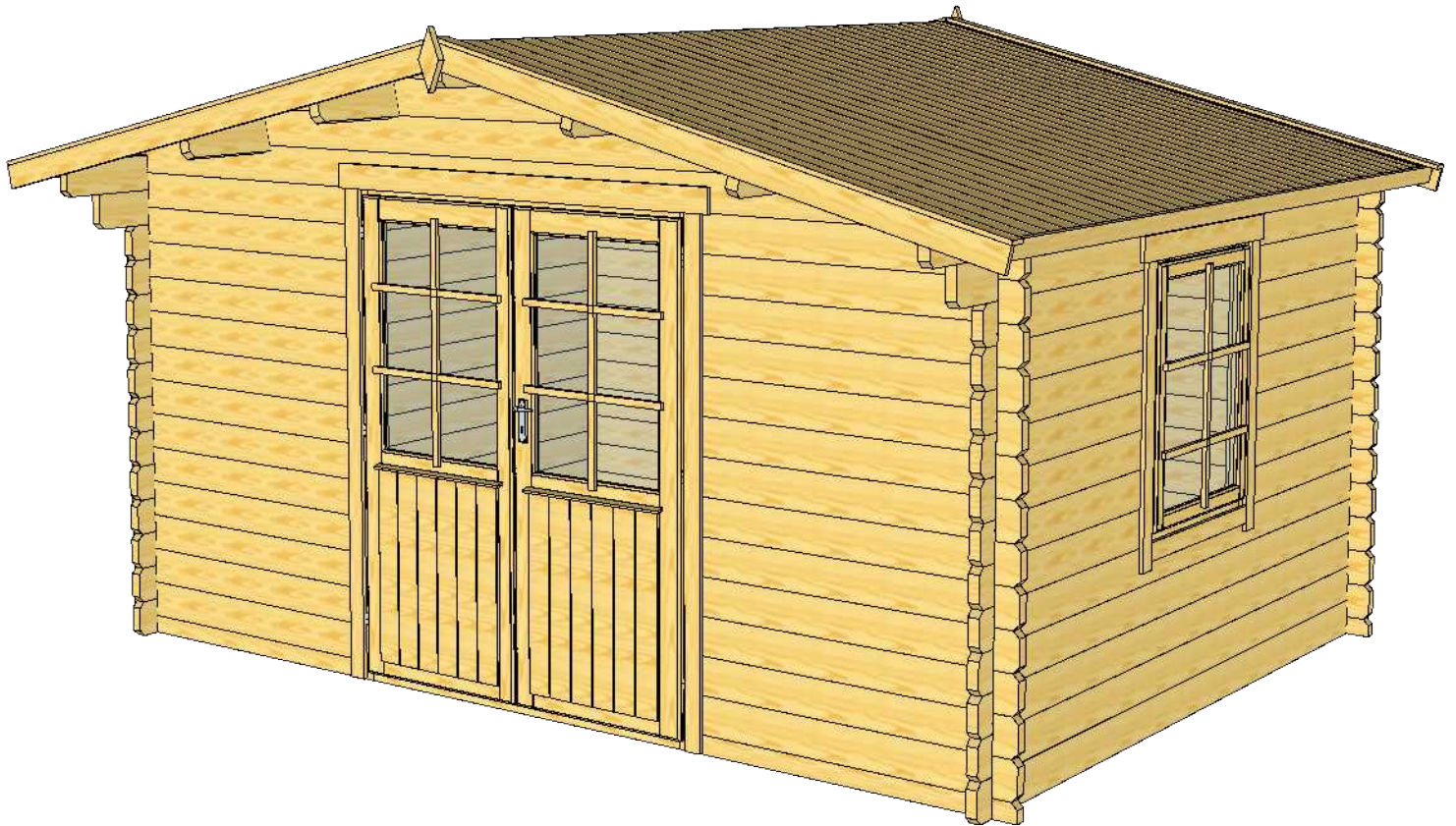
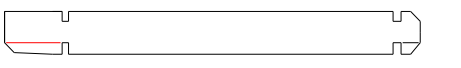
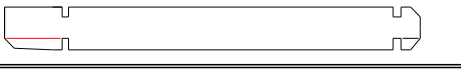
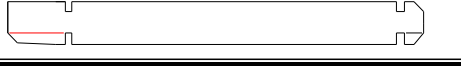
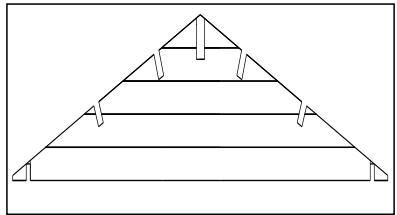
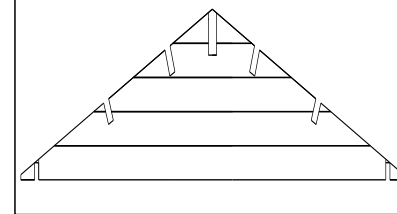


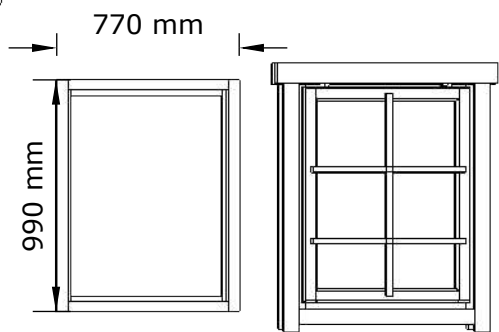
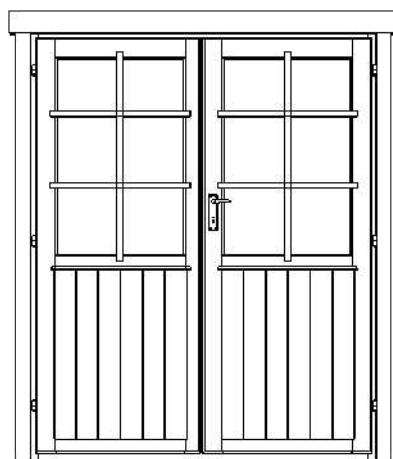
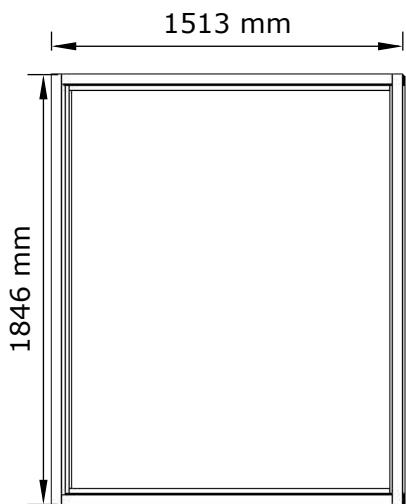
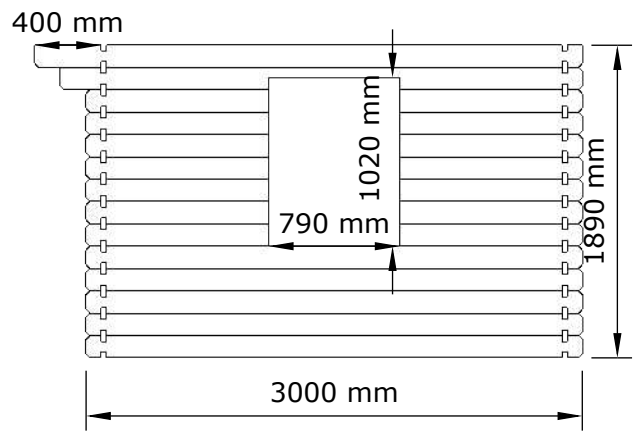
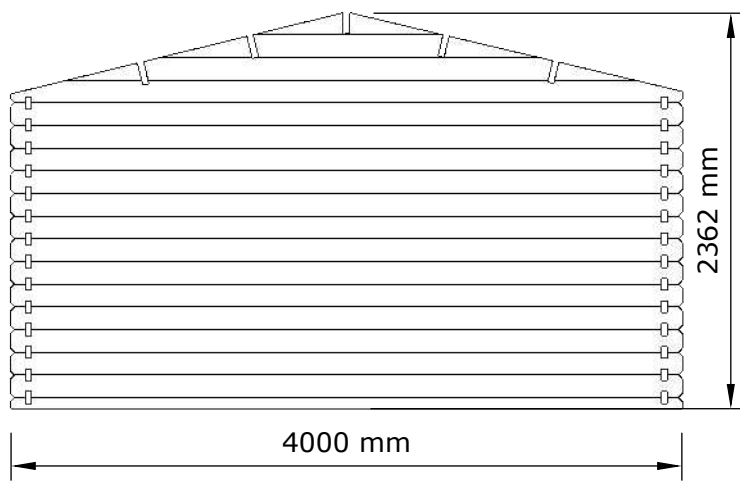
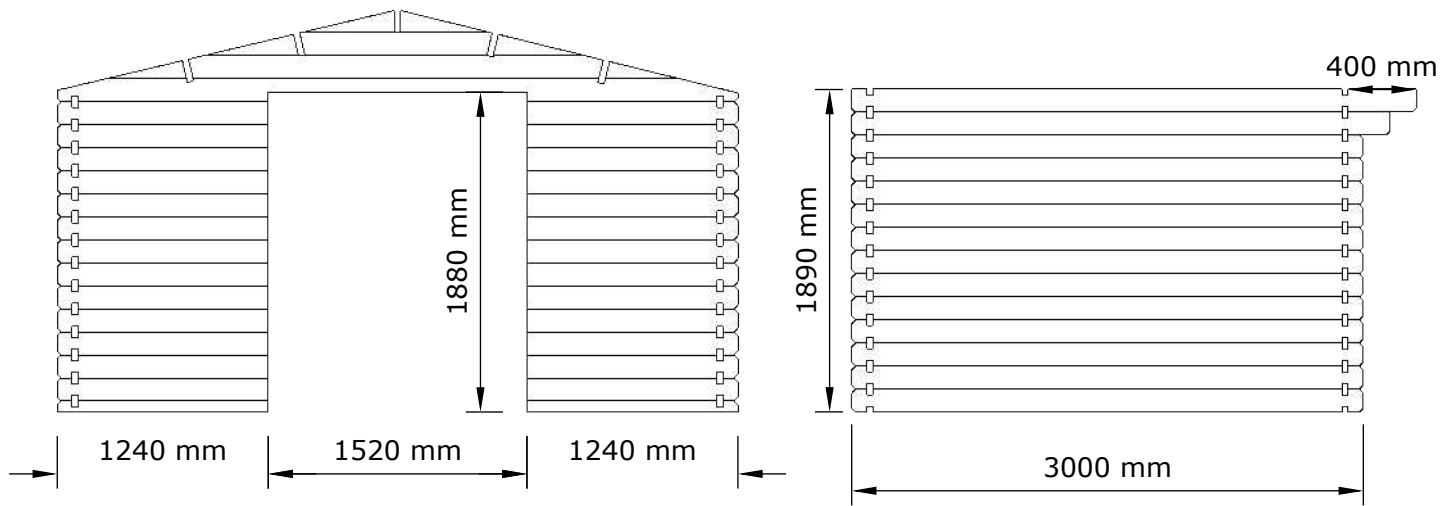
UNE 4,0X3,0 R-17

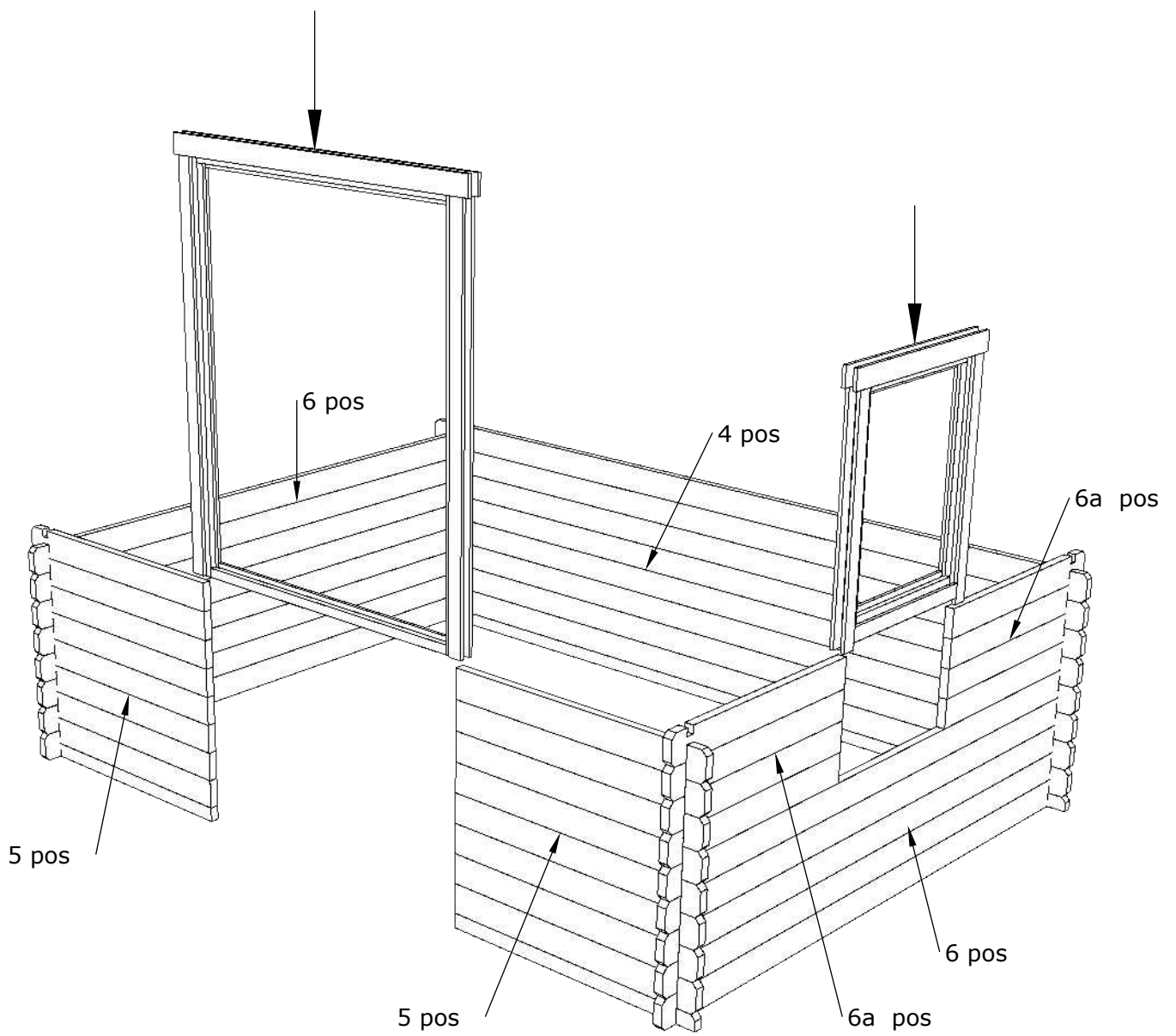
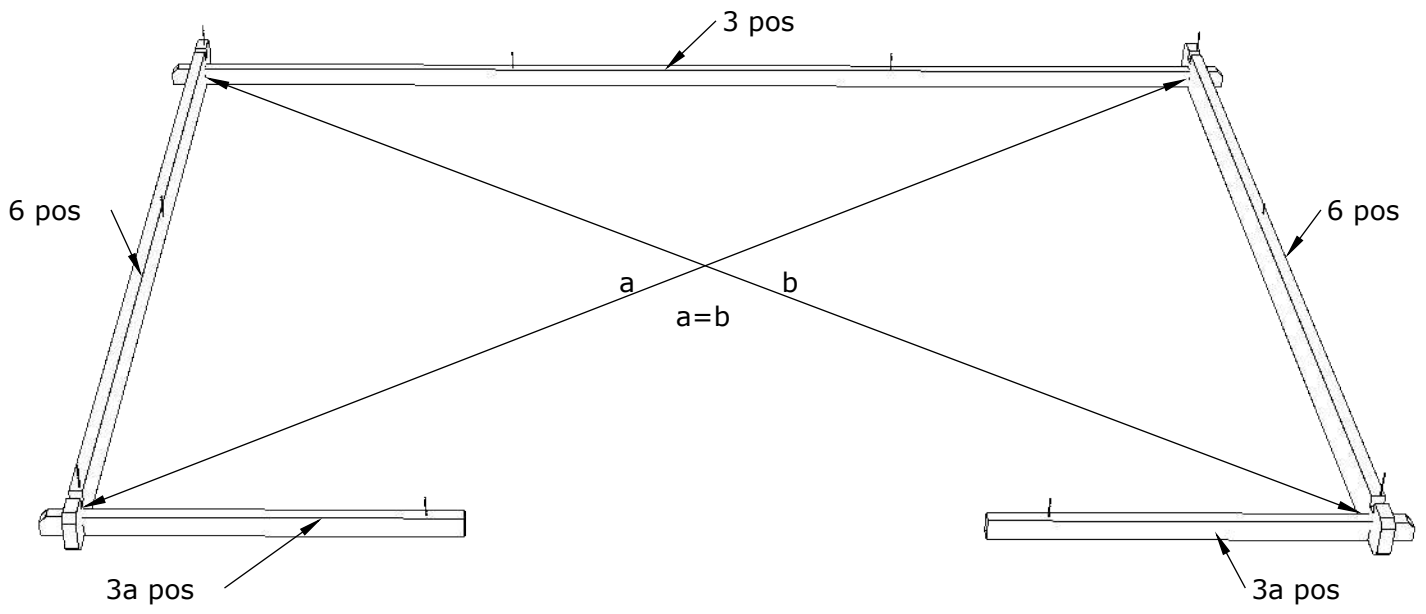
Manual



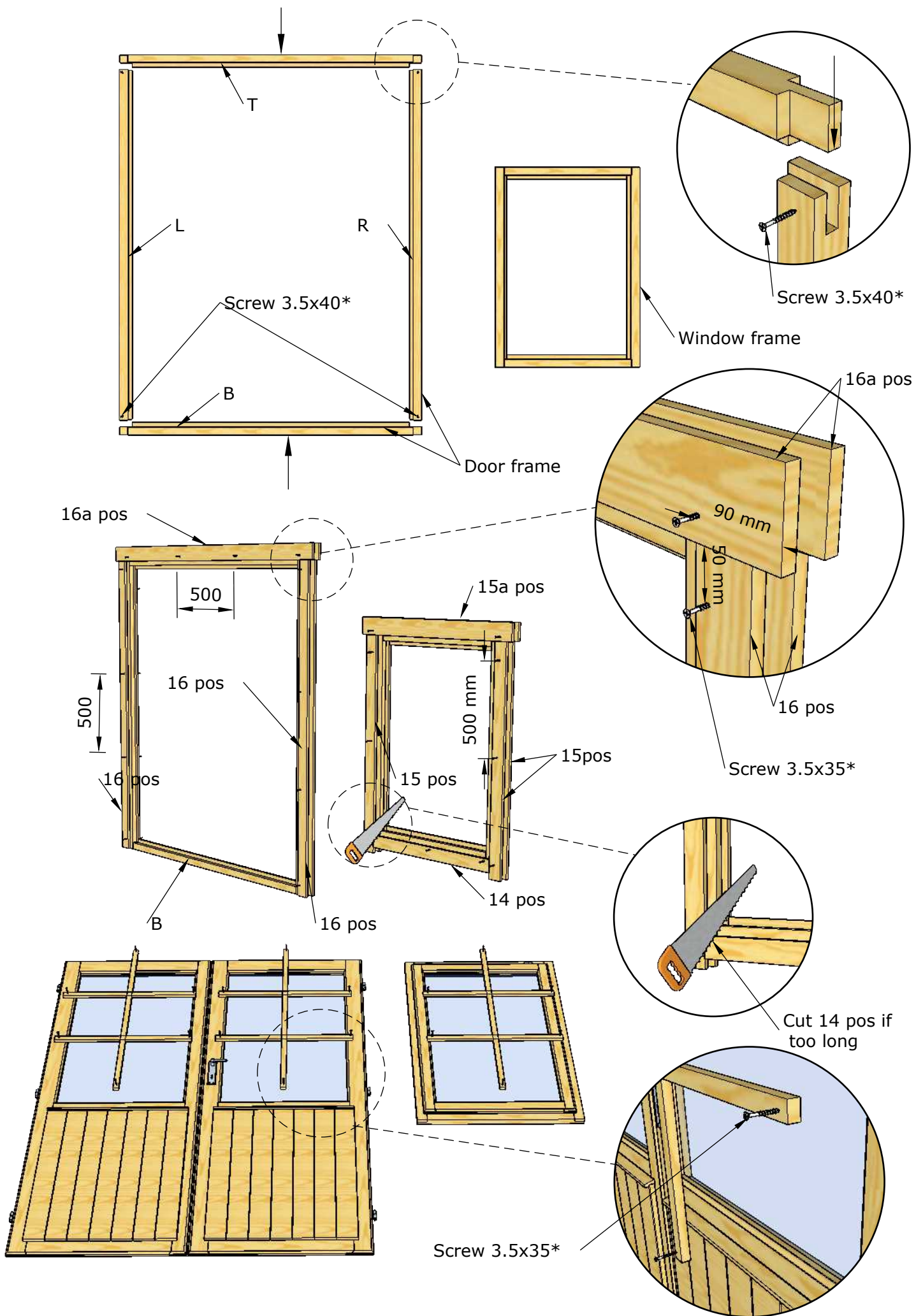
Une 4,0x3,0 40 mm

Pos	Size, mm h x b x l			Quantity		Destination
3	40	67,5	4000	1		Wall B
3a	40	67,5	1235	2		Wall A
4	40	135	4000	13		Wall B
5	40	135	1235	26		Wall A
6	40	135	3000	17		Wall C, D
6a	40	135	1105	14		Wall D
7	40	135	3155	1		Wall C
7a	40	135	3155	1		Wall D
7b	40	135	3310	2+1		Wall C, D
8	40	135	4000	1		Vault
8a	40	135	3306	1		Vault
8b	40	135	2204	1		Vault
8c	40	135	1102	1		Vault
8/1	40	135	4000	1		Vault
8a/1	40	135	3306	1		Vault
8b/1	40	135	2204	1		Vault
8c/1	40	135	1102	1		Vault
9	40	145	3310	1		Rafter
9a	40	145	3310	4		Rafter
10	16	90	2200	76		Roof board
11	16	90	2250	4		Wind board
11a	16	65	2260	4		Wind board
12	16	65	3310	2		Roof board
13				2		Diamond
14	16	65	733	2		
15	16	65	1070	4		
15a	16	90	990	2		
16	16	65	1890	4		
16a	16	90	1660	2		
18				1		Window
19				1+1		Door

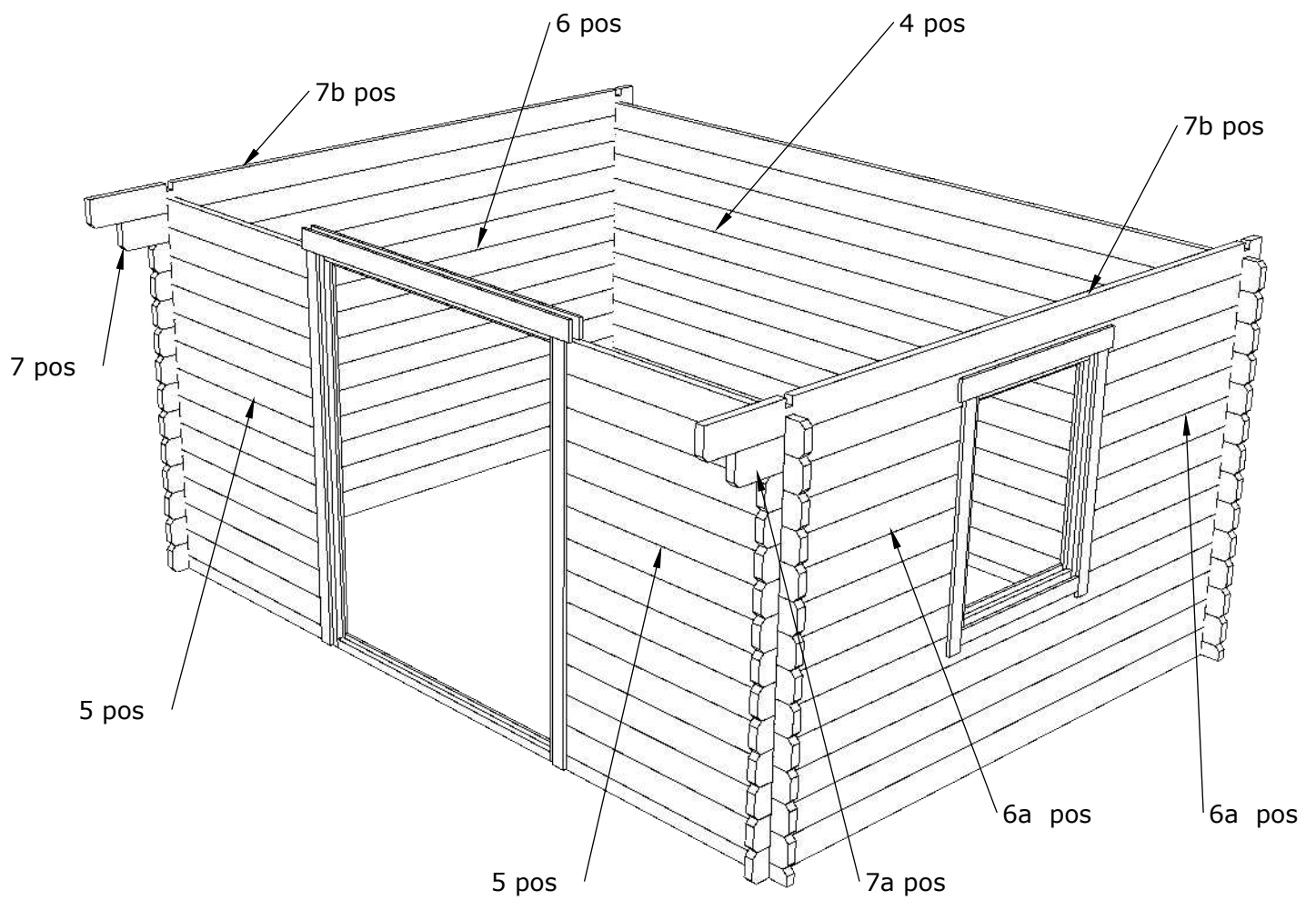
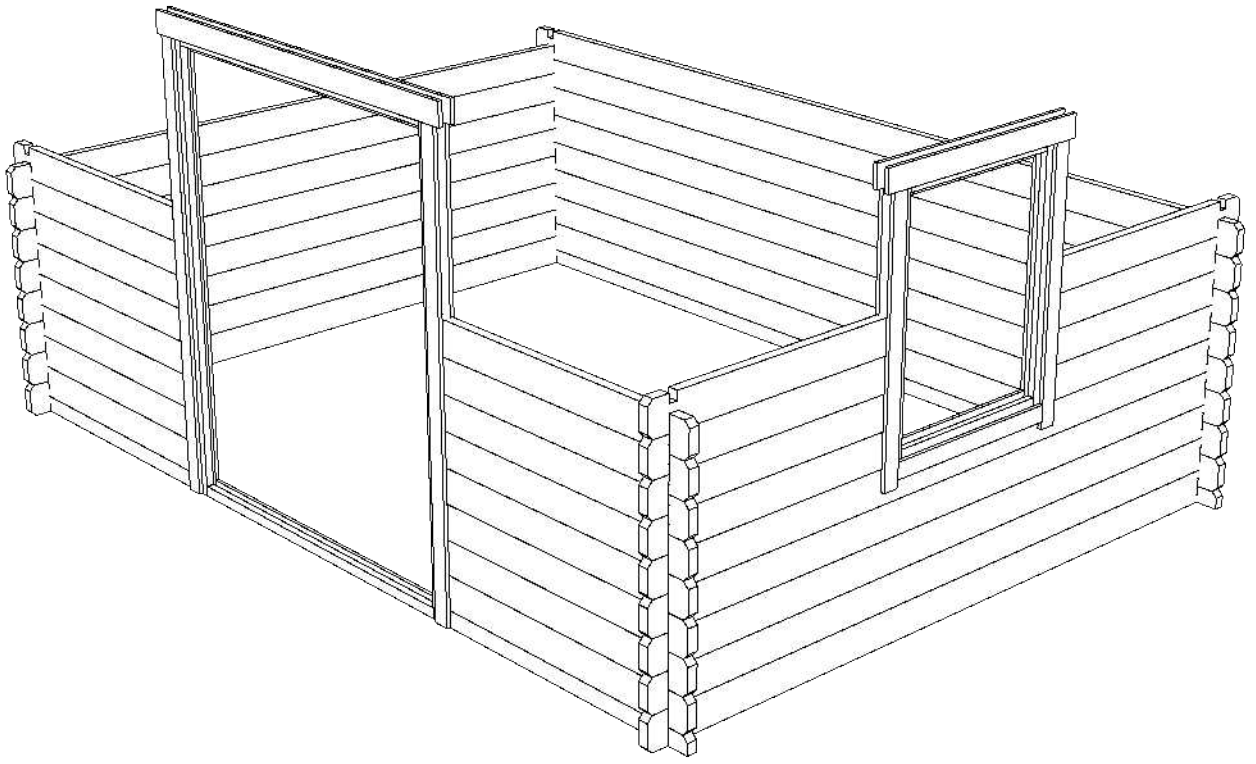


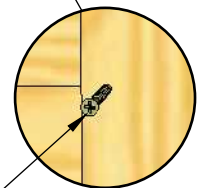
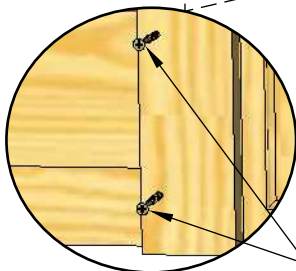
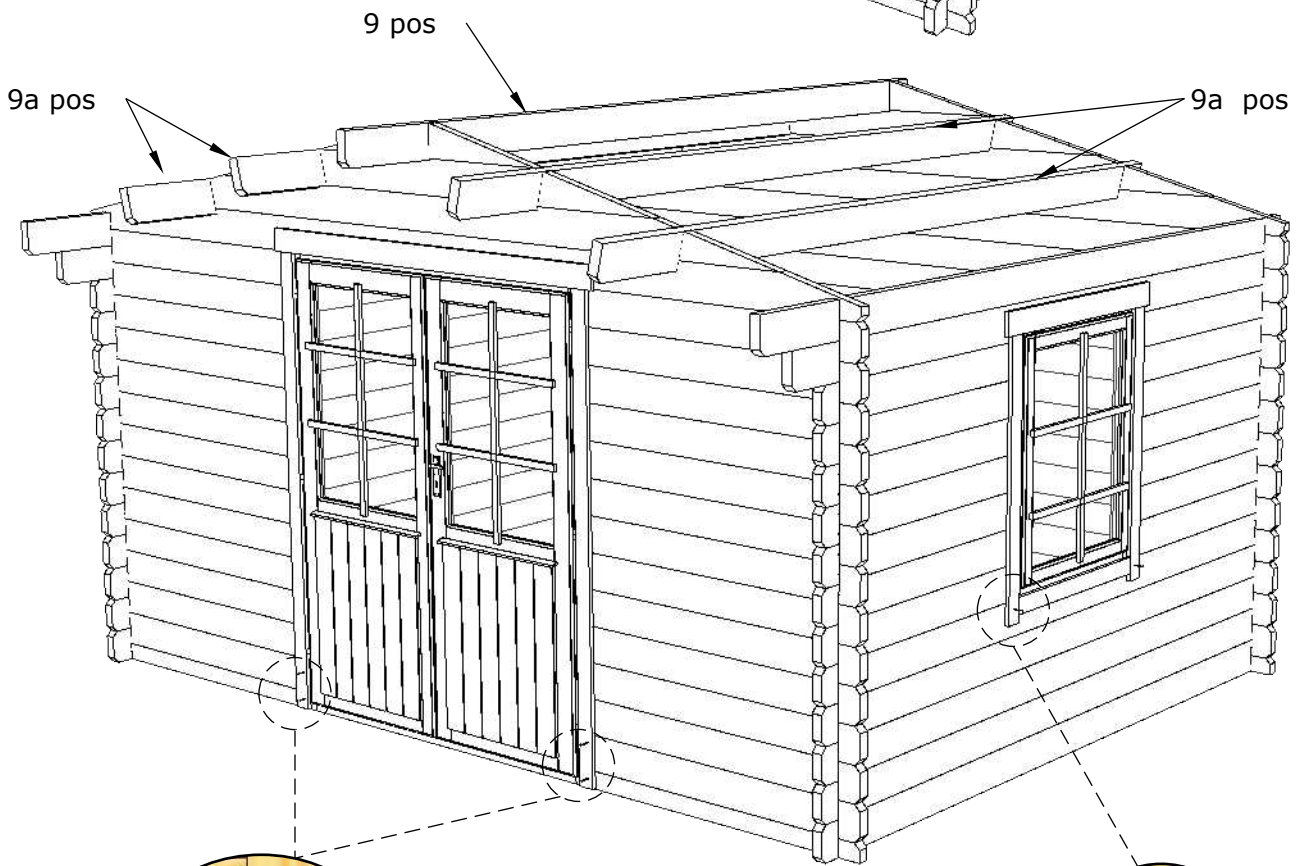
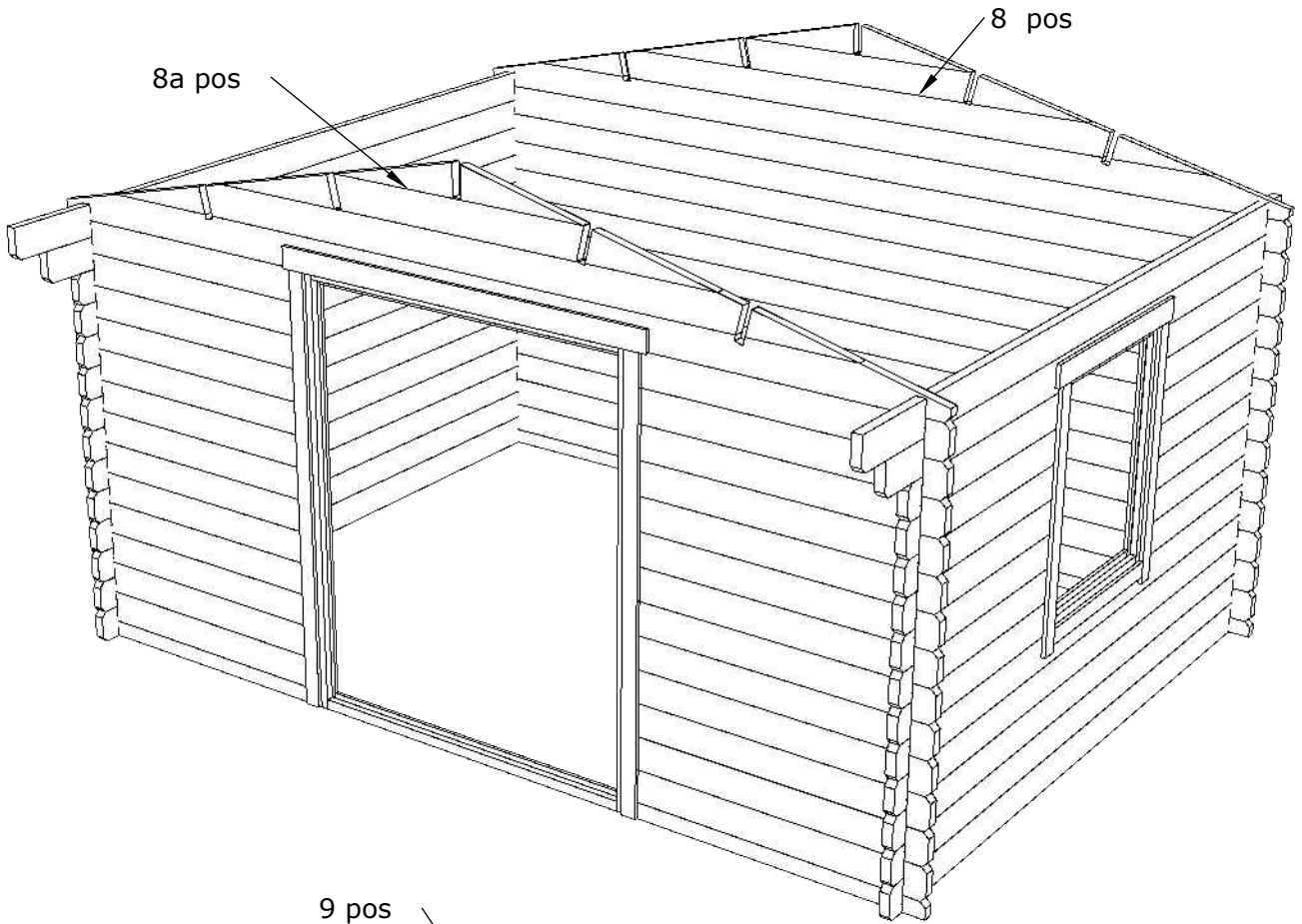


* Screws are not included in the package.



* Screws are not included in the package.

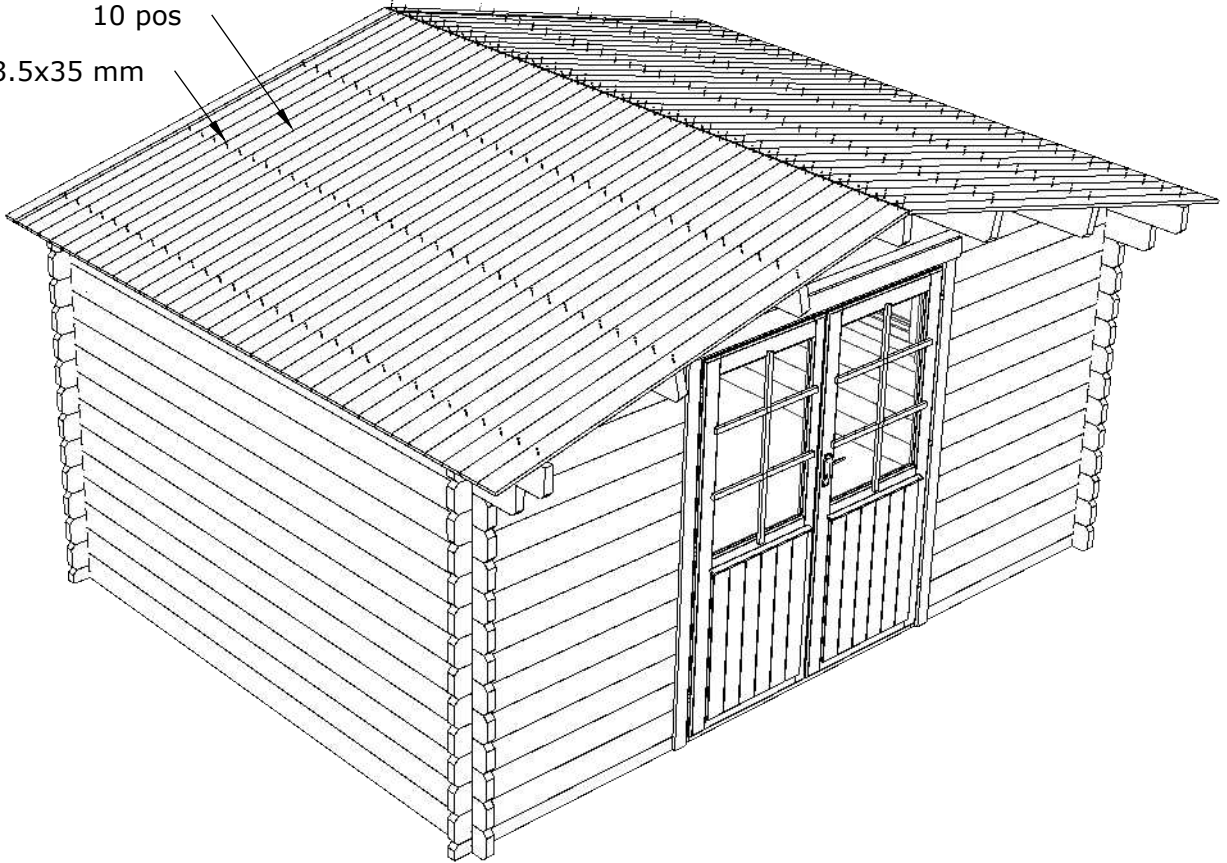




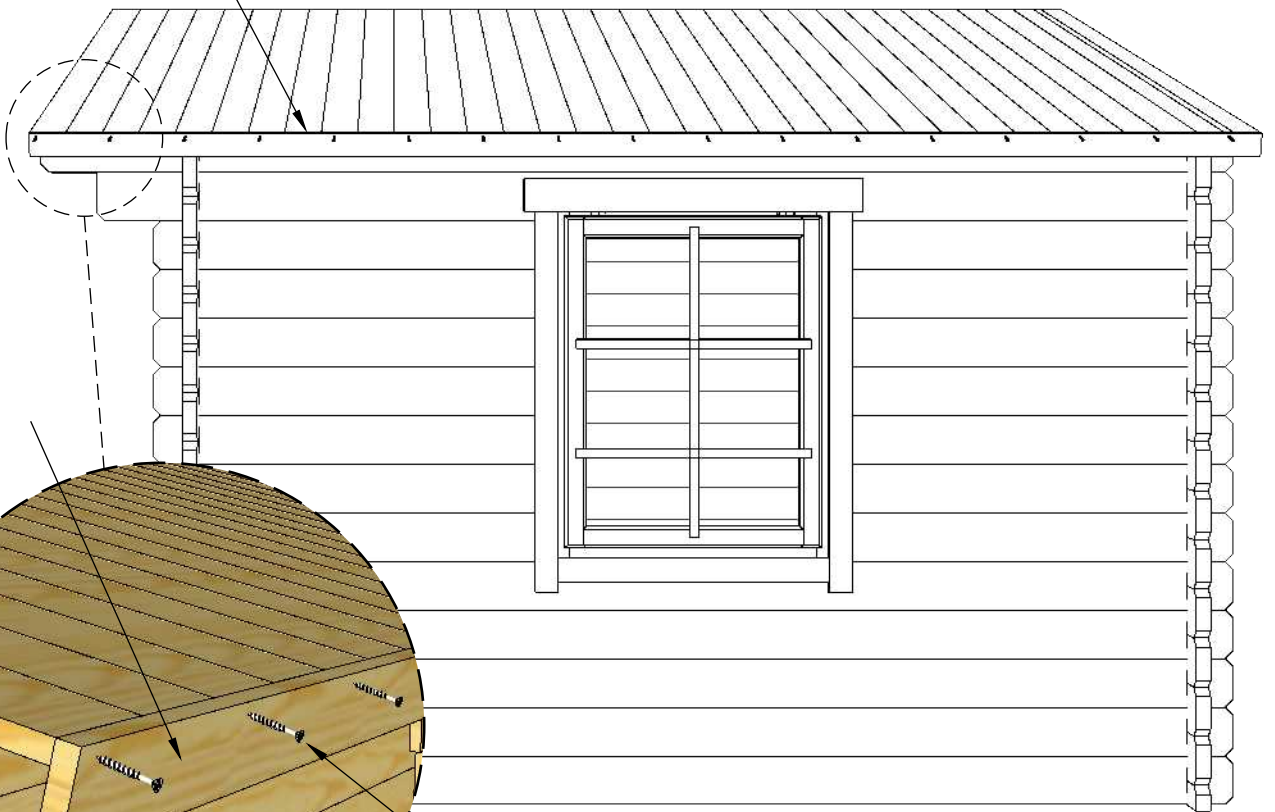
*Screw 3.5x35 mm

* Screws are not included in the package.

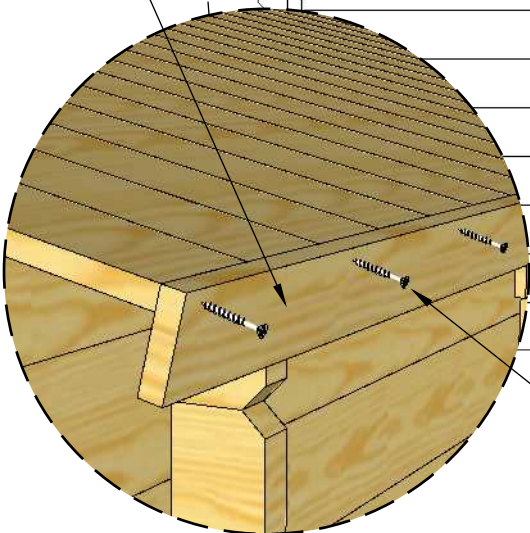
10 pos
*Screw 3.5x35 mm



12 pos.

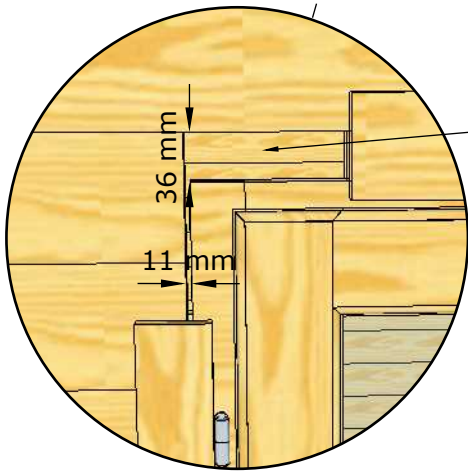
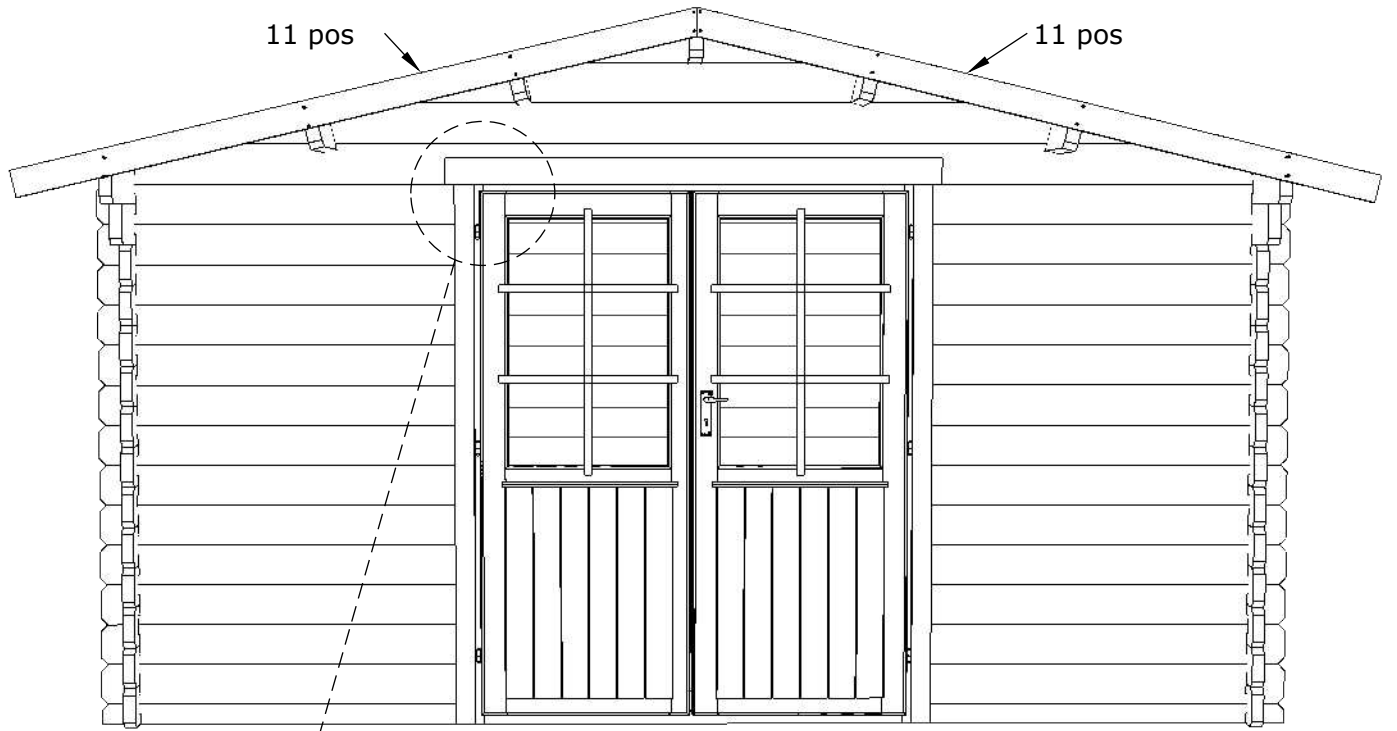


12 pos.



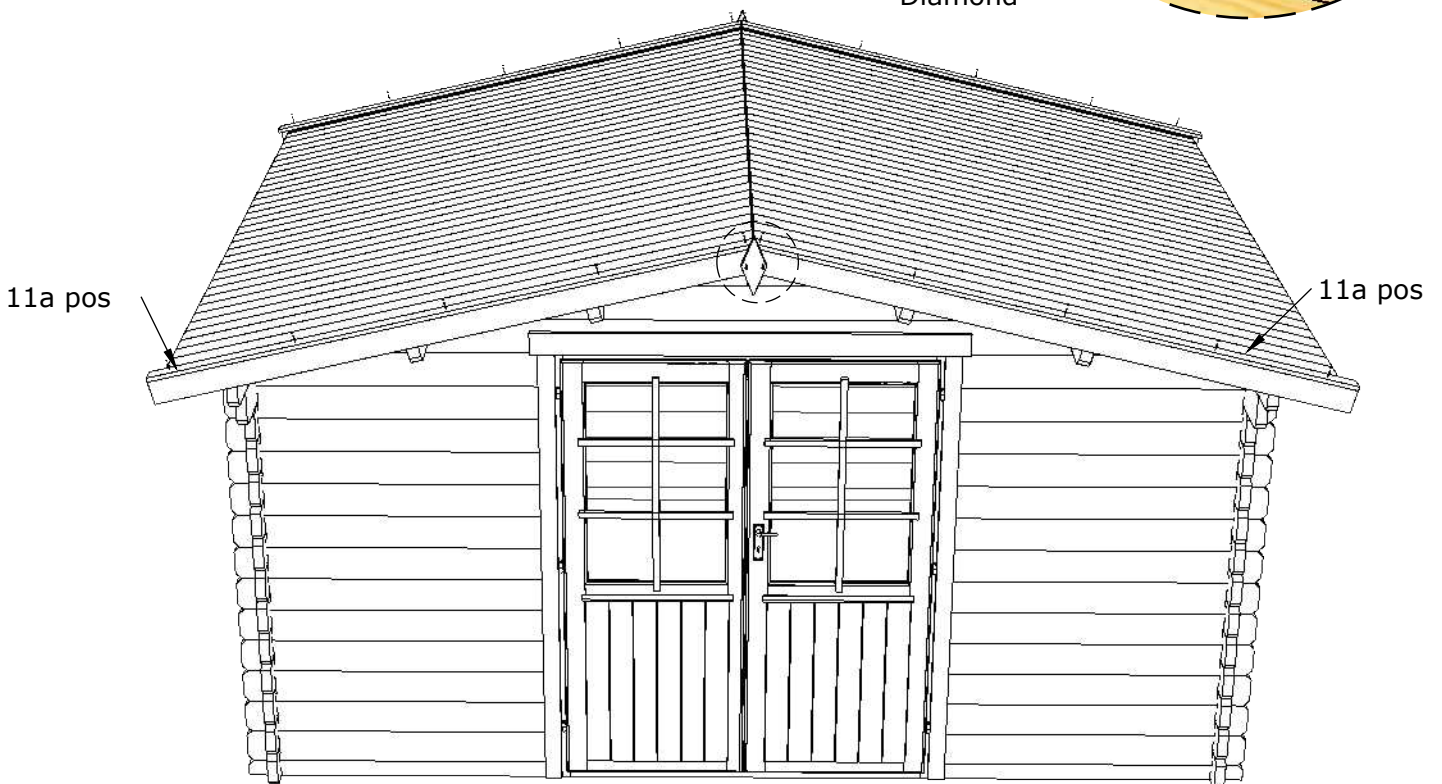
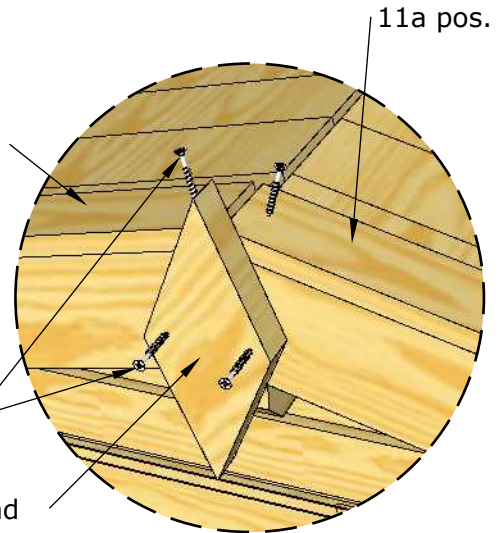
*Screw 3.5x35 mm

* Screws are not included in the package.



Normal - ca 40 mm;
 min - ca 5 mm;
 max - ca 90 mm

11a pos.

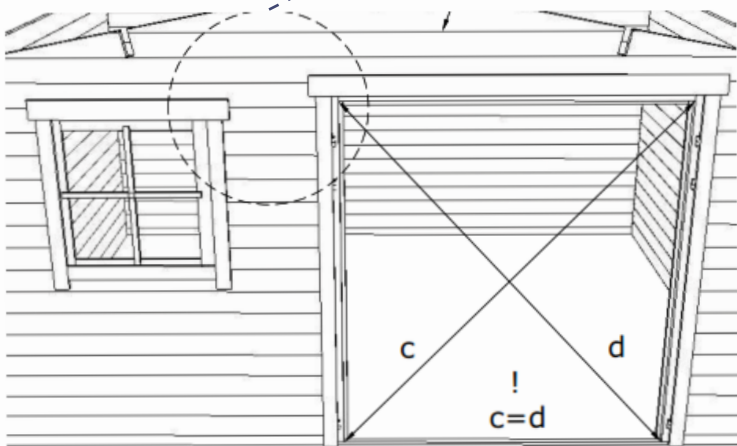
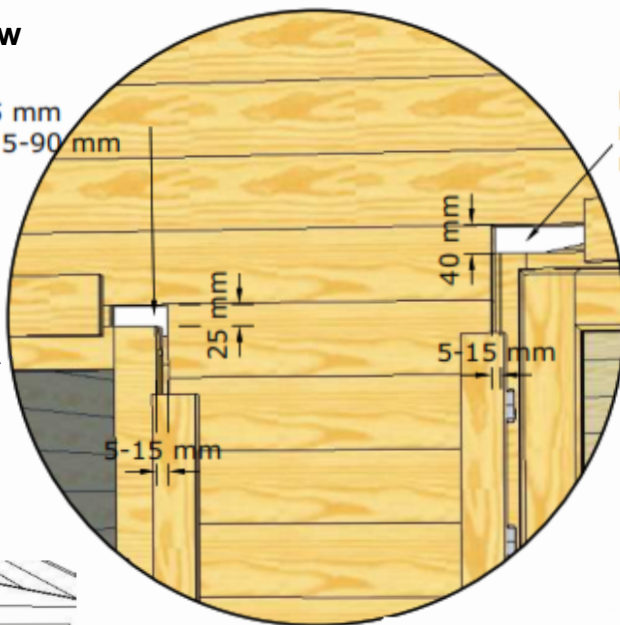


Window

Normal ca 25 mm
min-max ca 5-90 mm

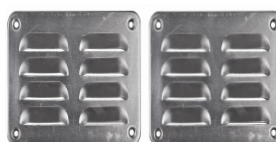
Door

Normal - ca 40 mm;
min - ca 5 mm;
max - ca 90 mm



Recommendations.

It is recommended to install a ventilation system in the house.



Assembly of the house requires at least minimum knowledge in the field of assembly of wood products. Otherwise, we recommend hiring a specialist.