

BUILDING CODE **Aslaug**

WALL LOG (mm): 45

SIZE (mm): 5360x3800

**COMPONENT SPECIFICATION**

**BYGNORDIC**  
by XL-BYG

NUMBER	COMPONENT FUNCTION	COMPONENT CODE	VIEW	SIDE VIEW	DIMENSIONS (mm)			QUANTITY (psc.)
					LENGHT	WIDTH	THICKNESS	
1	Wall board	A4, A7			692	115	45	22
2	Wall board	A5, A6			692	115	45	12
3	Wall board	A2			3816	115	45	9
4	Wall board	A3			3816	115	45	1
5	Wall board	B2, A9			5360	115	45	18
6	Wall board	C1			3800	115	45	18
7	Wall board	D3, C2			4100	115	45	2
8	Wall board	D1, D2			750	55	45	36
9	Apex	D4, C3		4100	115	45	2	
10	Wall board	A1			5360	55	45	1
11	Wall board	B1			5360	55	45	1
12	Wall board	A10,B3			5660	115	45	2
13	Wall board	A11,B4			5660	115	45	2
14	Wall board	A8		5360	115	19	1	
15	Wall board							
16	Wall board							
17	Fascia board	A12,B5		5698		19	2	
18	Fascia board	D5,C4		4100		19	2	
19	Roof board			5660	135	19	31	
20	Beam			4100	120	40	5	
21	Door				1880	830	45	1
22	Door				2040	2280	45	1
23	Window				850	680	45	2
24								
25								

PACKAGE NR.:

MNFCT. ORDER NR.:

**CONTROL 1**  
SIGNATURE

**CONTROL 2**  
SIGNATURE

PAGE/PAGES: **1/6**

BUILDING CODE **Aslaug**

WALL LOG (mm): 45

SIZE (mm): 5360x3800

# ISOMETRIC VIEW



PACKAGE NR.:

MNFCT. ORDER NR.:

**CONTROL 1**

**CONTROL 2**

PAGE/PAGES: **2/6**

SIGNATURE

SIGNATURE

BUILDING CODE

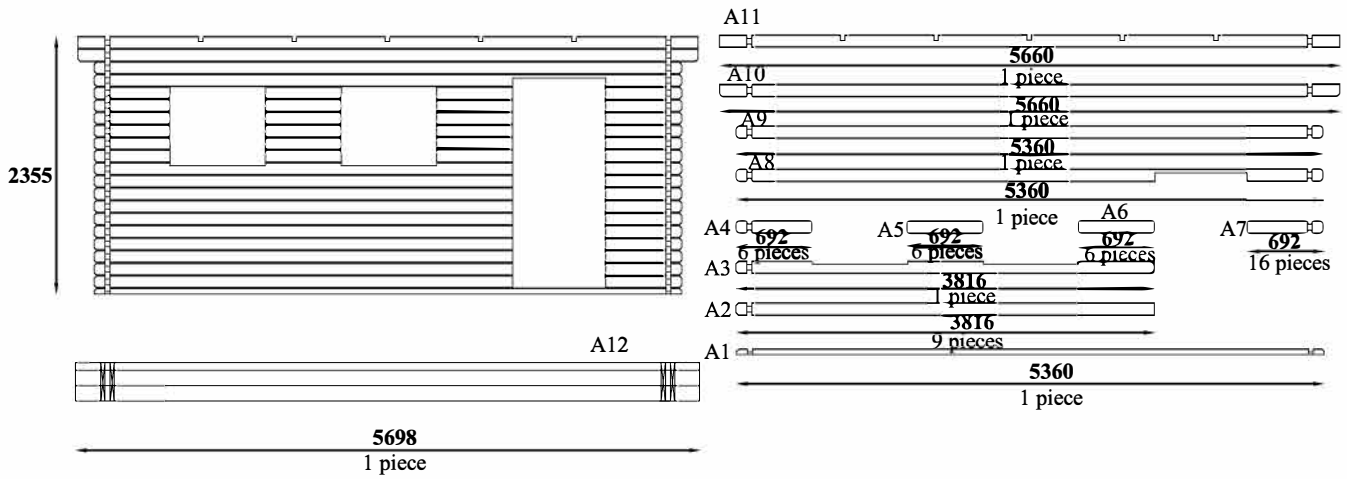
# Aslaug

WALL LOG (mm): 45

SIZE (mm): 5360x3800

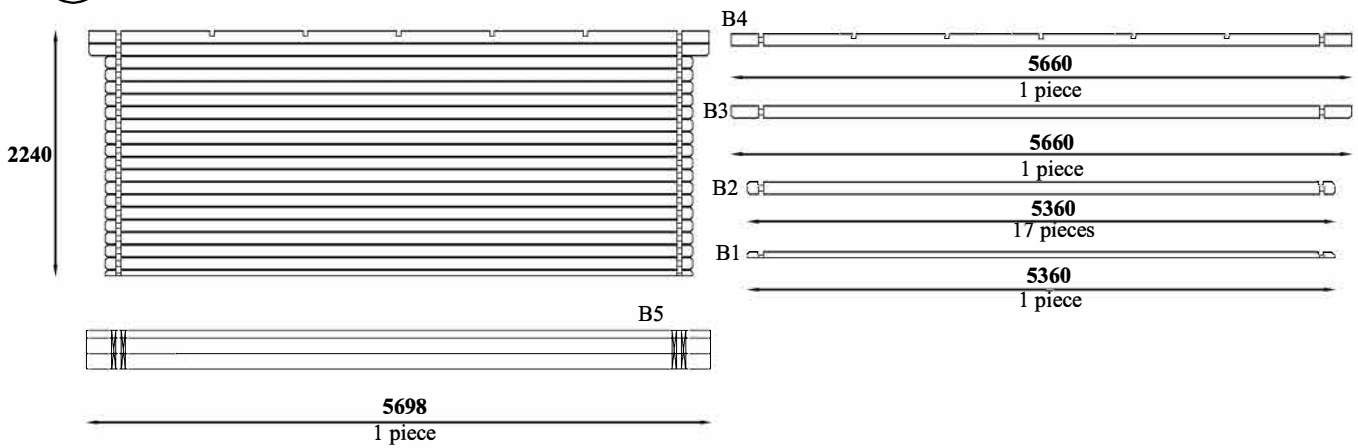
## FRONT VIEW

(A)



## BACK VIEW

(B)



PACKAGE NR.:

MNFCT. ORDER NR.:

CONTROL 1  
SIGNATURE

CONTROL 2  
SIGNATURE

PAGE/PAGES: **3/6**

BUILDING CODE

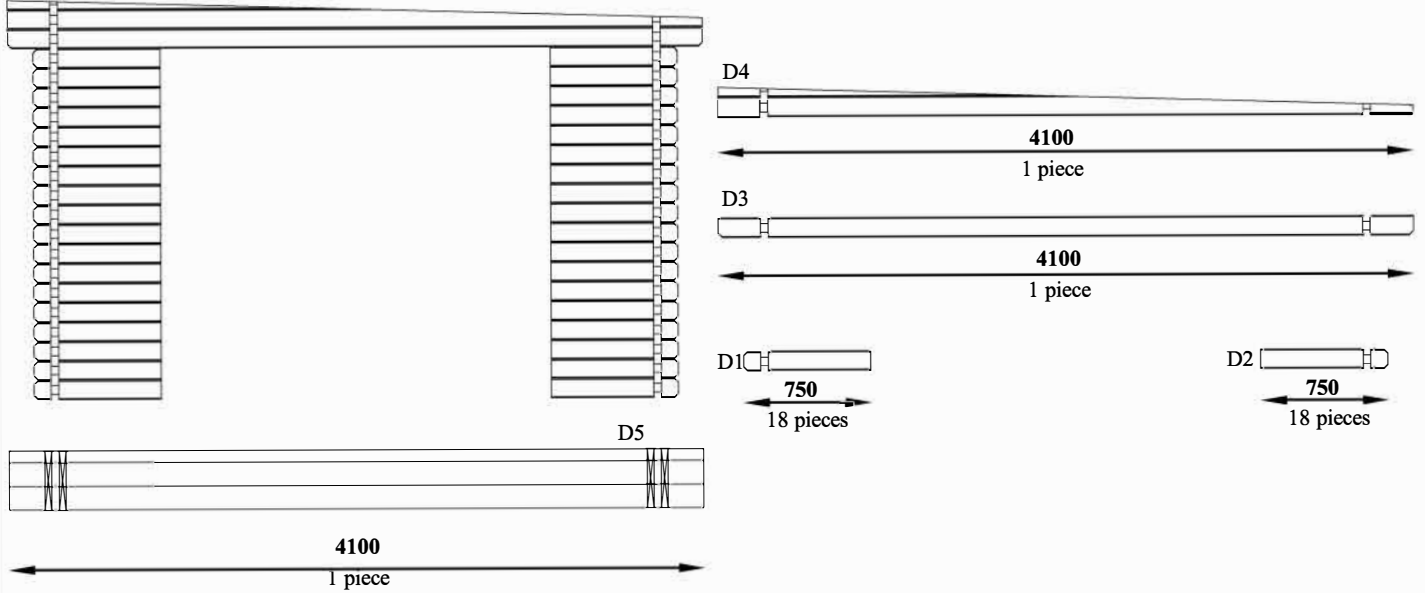
# Aslaug

WALL LOG (mm): 45

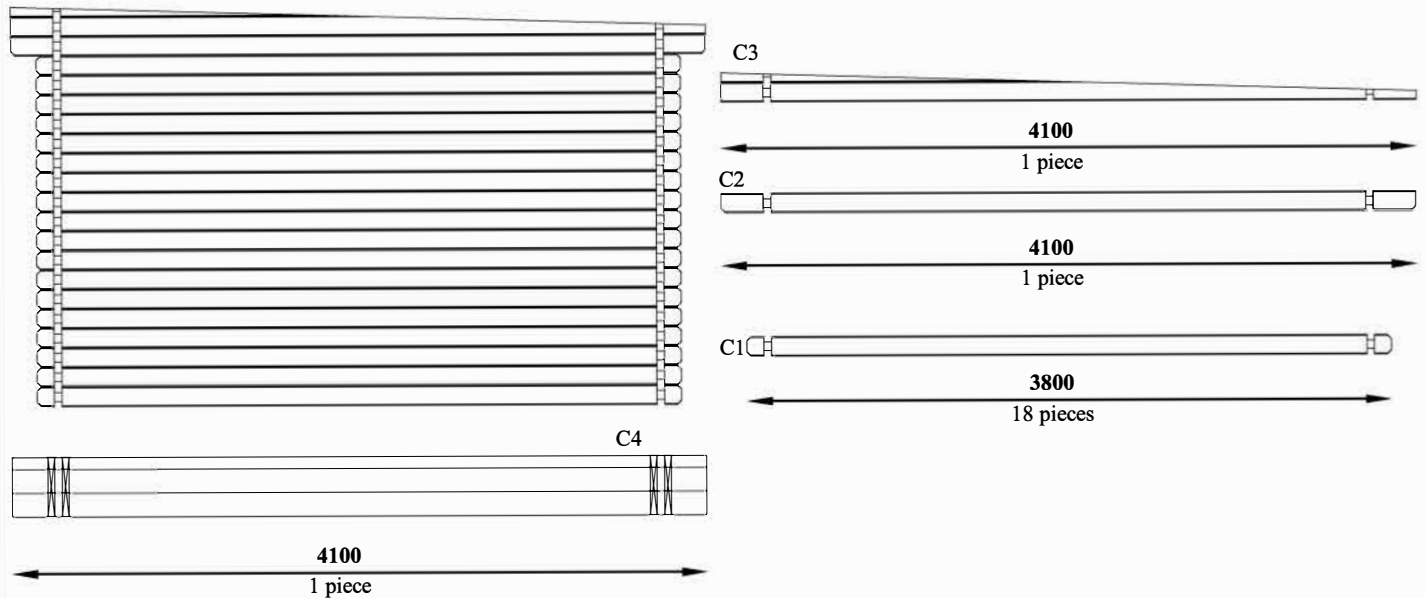
SIZE (mm): 5360x3800

## SIDE VIEW

(D)



(C)



PACKAGE NR.:

MNFCT. ORDER NR.:

CONTROL 1

CONTROL 2

SIGNATURE

SIGNATURE

PAGE/PAGES:

**4/6**

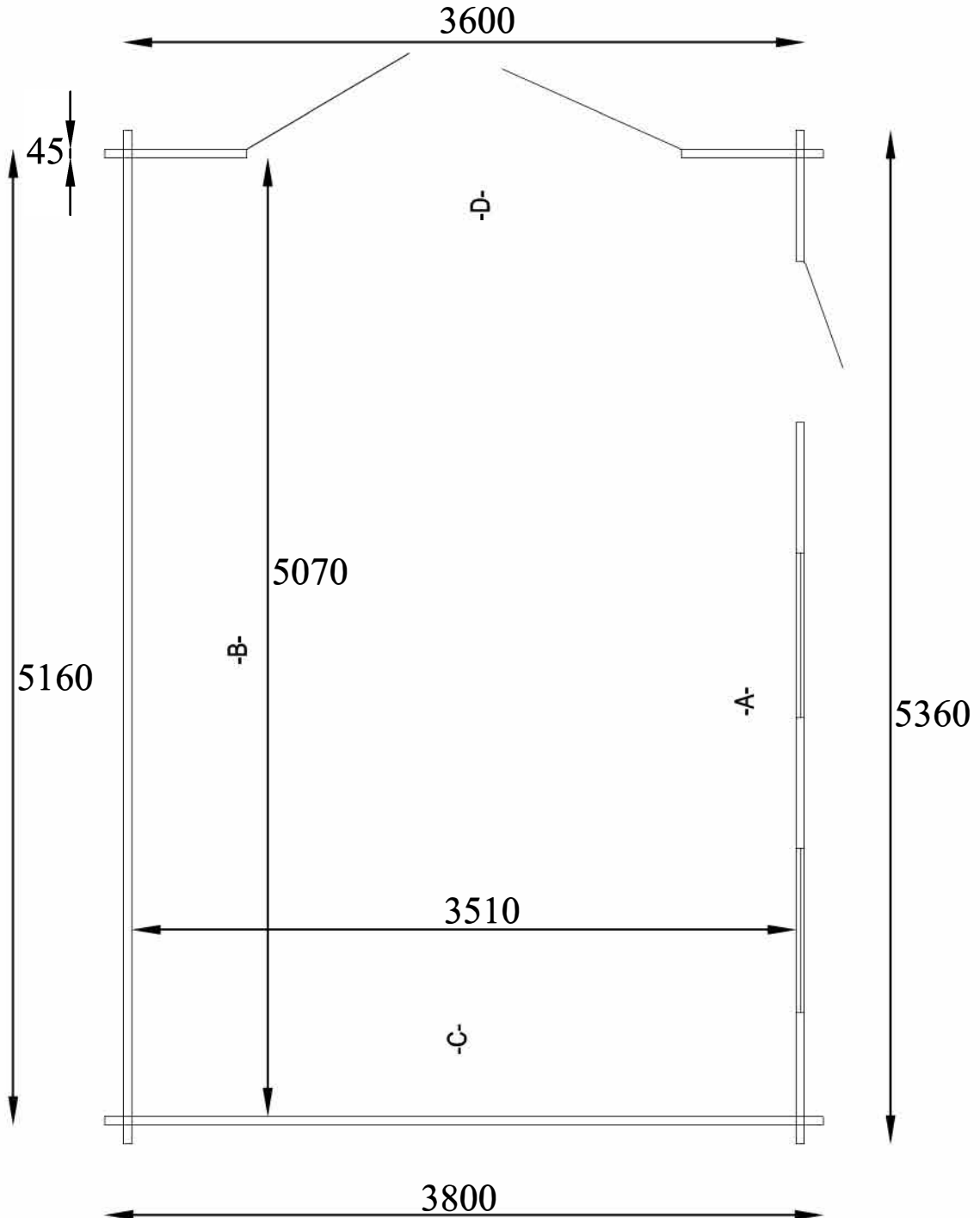
BUILDING CODE

**Aslaug**

WALL LOG (mm): 45

SIZE (mm): 5360x3800

**Floor plan**



PACKAGE NR.:

MNFCT. ORDER NR.:

**CONTROL 1**

**CONTROL 2**

SIGNATURE

SIGNATURE

PAGE/PAGES: **5/6**

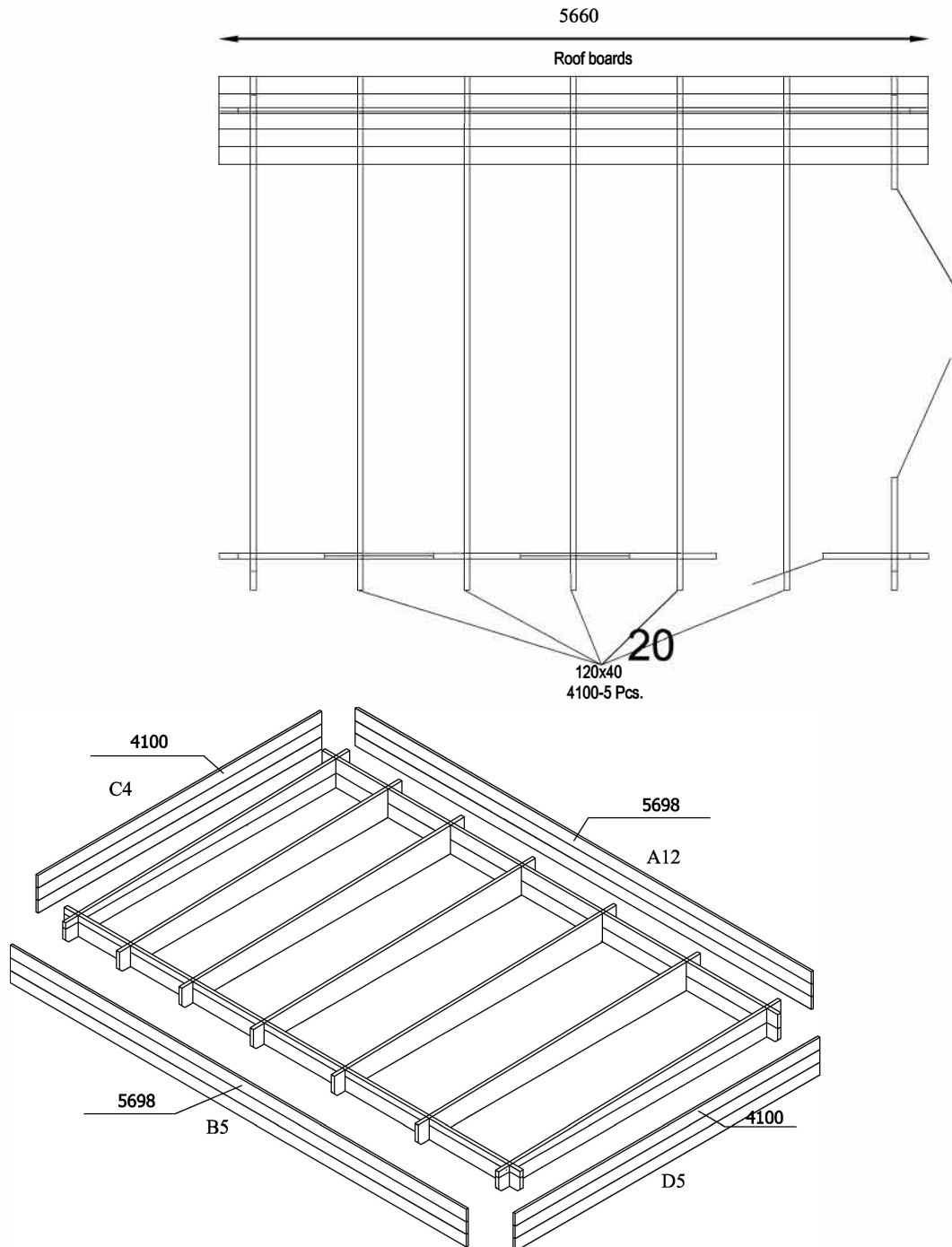
BUILDING CODE

# Aslaug

WALL LOG (mm): 45

SIZE (mm): 5360x3800

## Roof plan



PACKAGE NR.:

MNFCT. ORDER NR.:

**CONTROL 1**  
SIGNATURE

**CONTROL 2**  
SIGNATURE

PAGE/PAGES:

**6/6**

