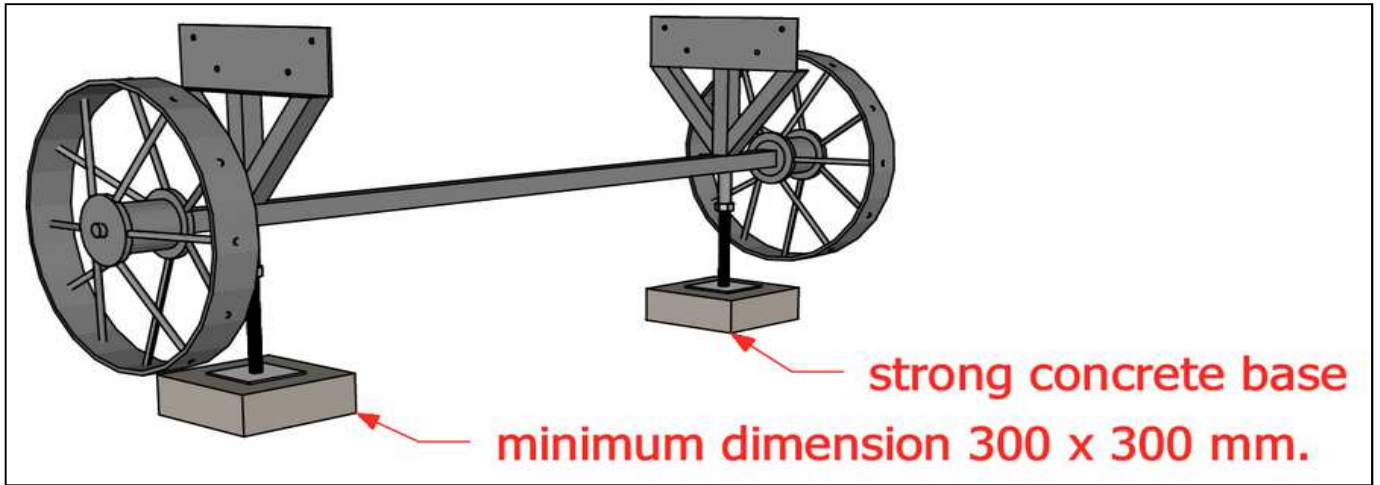


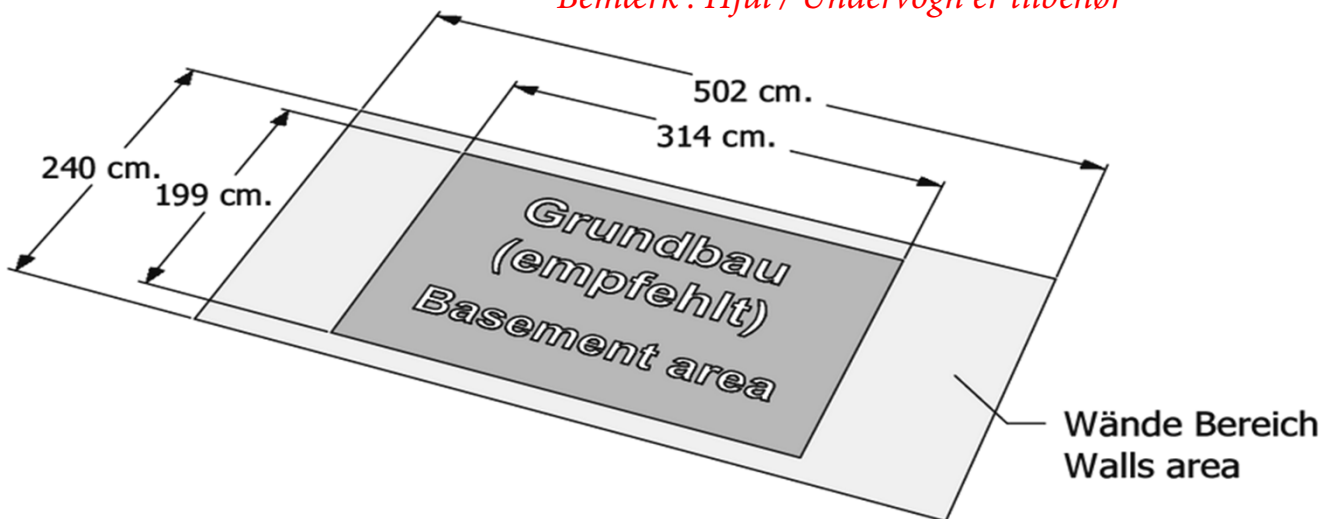
DAGFRID 2,40 x 5,05 m.

Assembly instruction

This wagon must be based on adjustable legs and is not moveable.



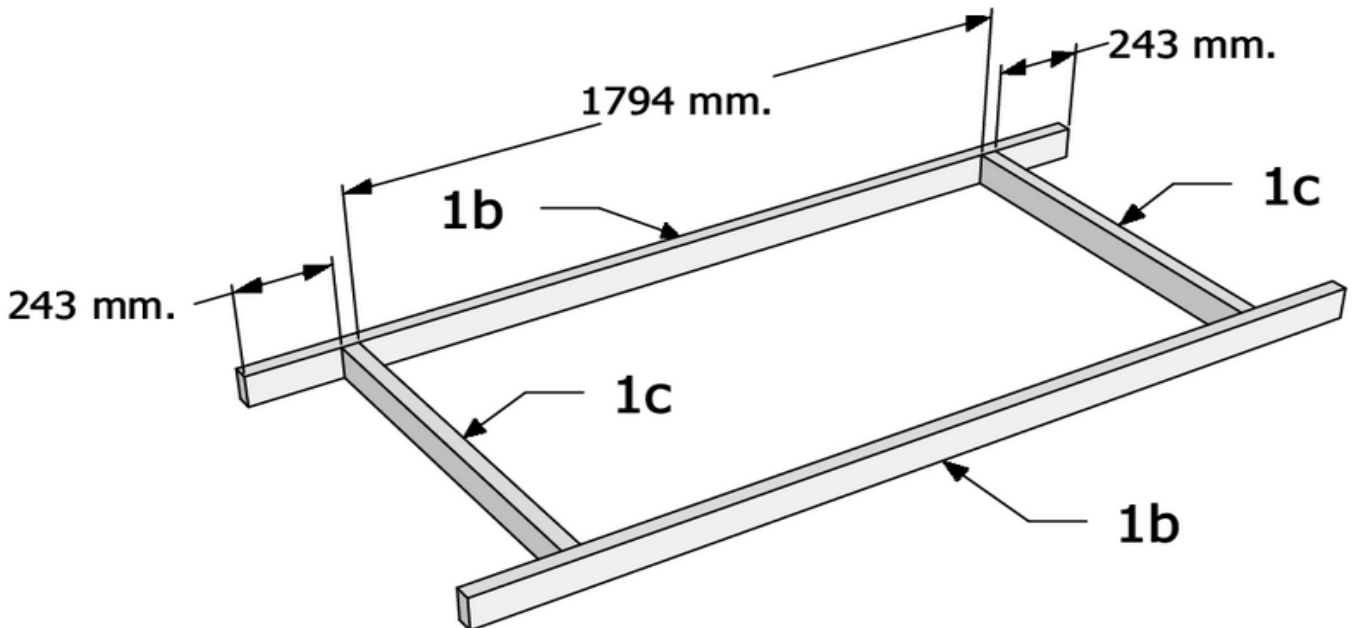
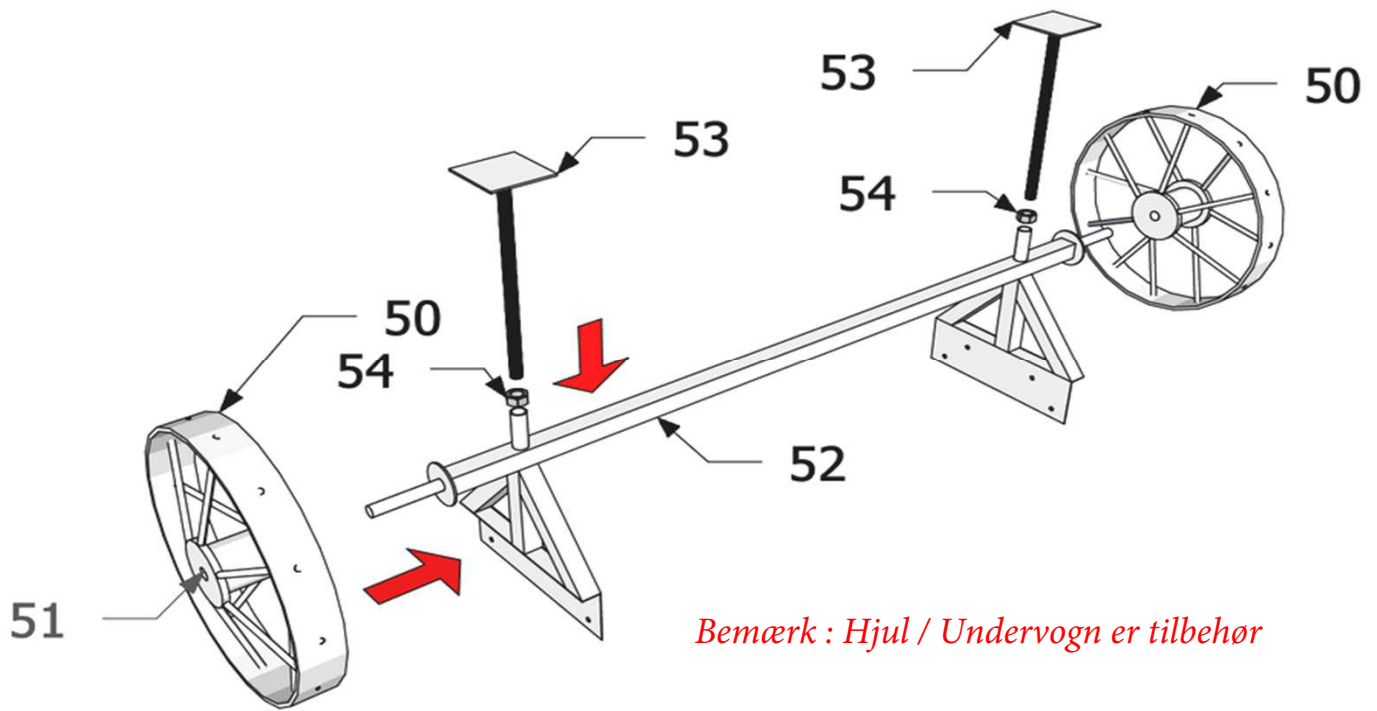
Bemærk : Hjul / Undervogn er tilbehør



DAGFRID 2,40 x 5,05 m.

Assembly instruction

1/18



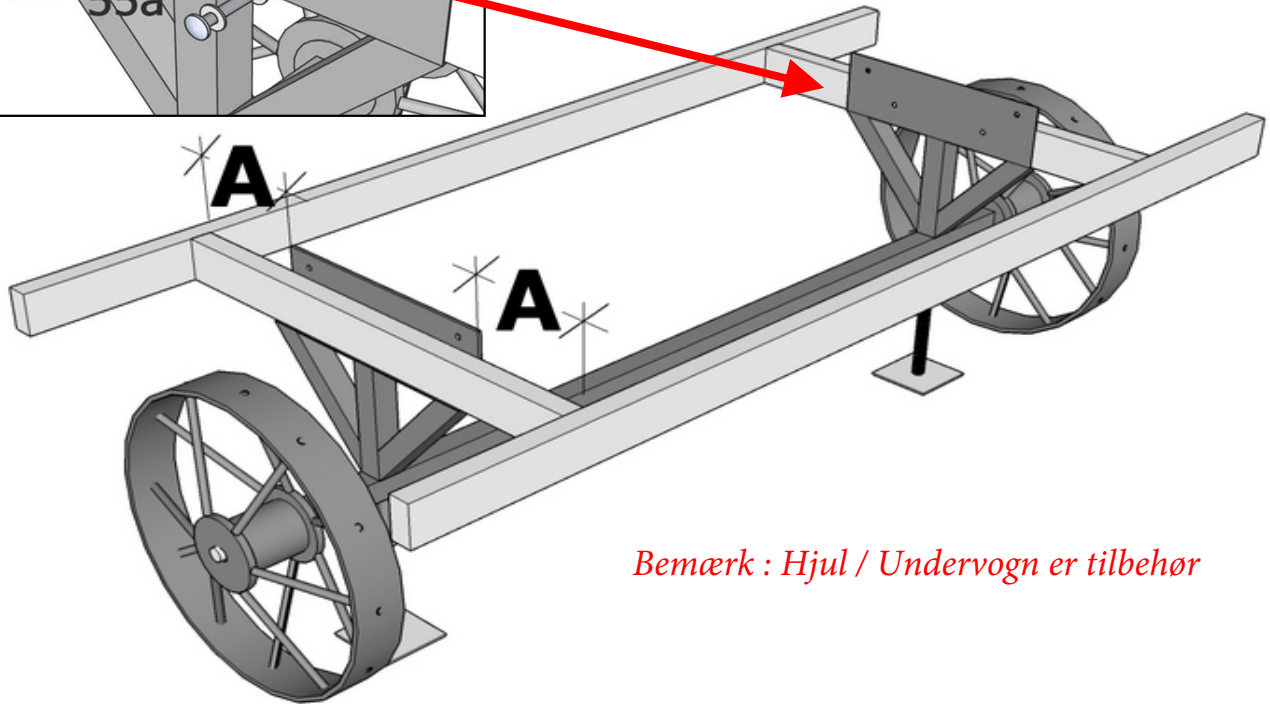
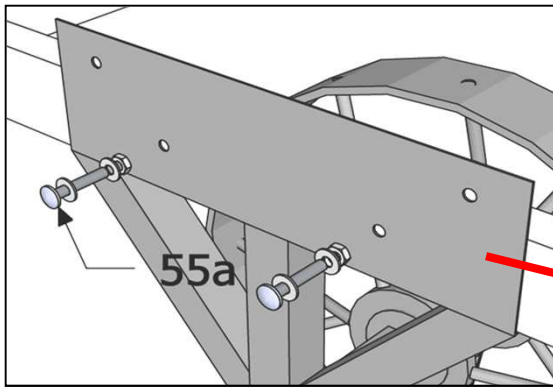
1b + **1c**

4,5 x 80	16
-----------------	-----------

DAGFRID 2,40 x 5,05 m.

Assembly instruction

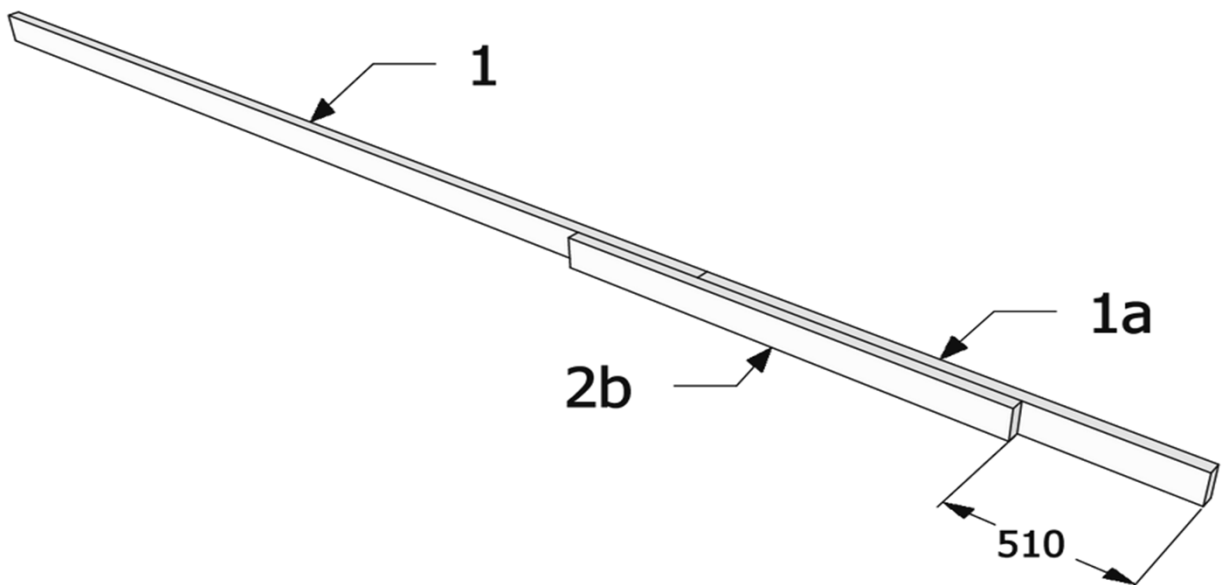
2/18



Bemærk : Hjul / Undervogn er tilbehør

base + **1b - 1c**

bolt M10x70	8
washer M10	16
nut M10	8



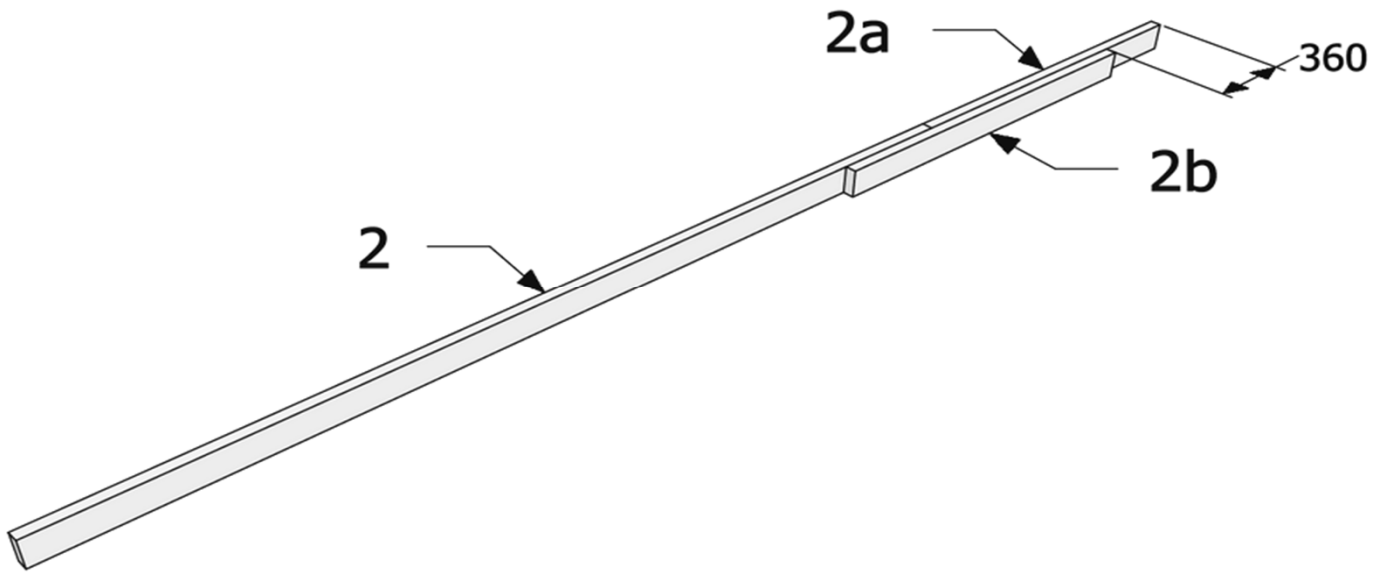
1 + **1a** + **2b**

4,5 x 80	40
-----------------	-----------

DAGFRID 2,40 x 5,05 m.

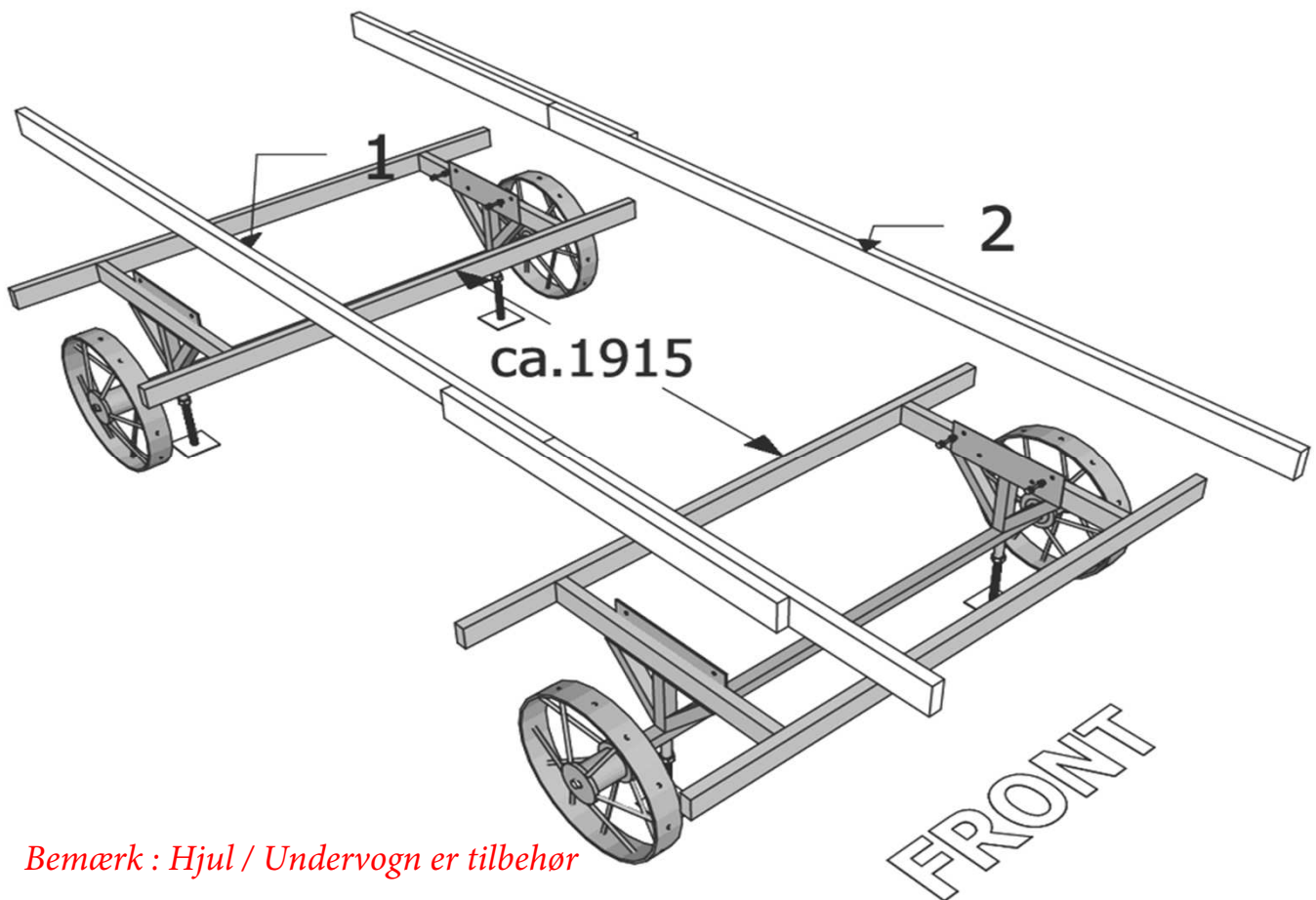
Assembly instruction

3/18



2 + **2a** + **2b**

4,5 x 80	30
----------	----

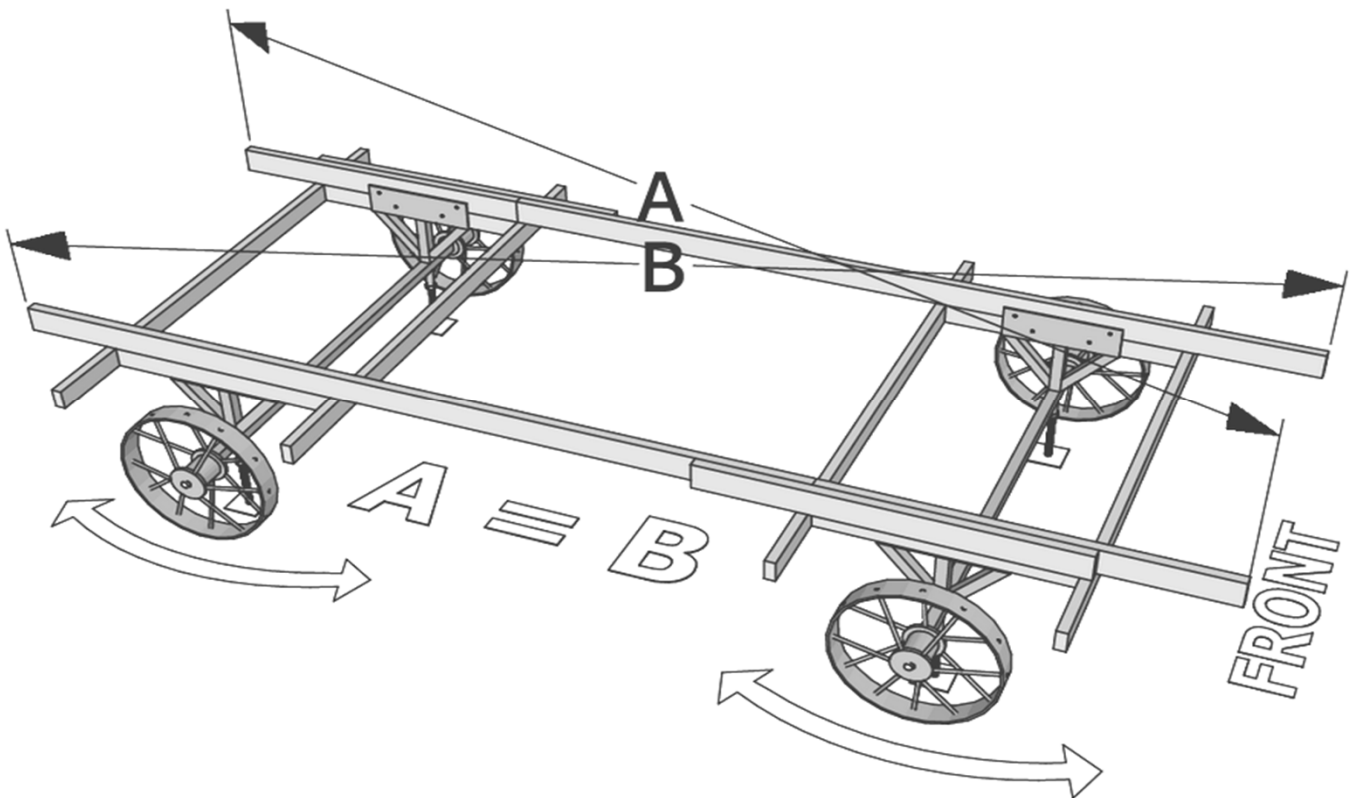
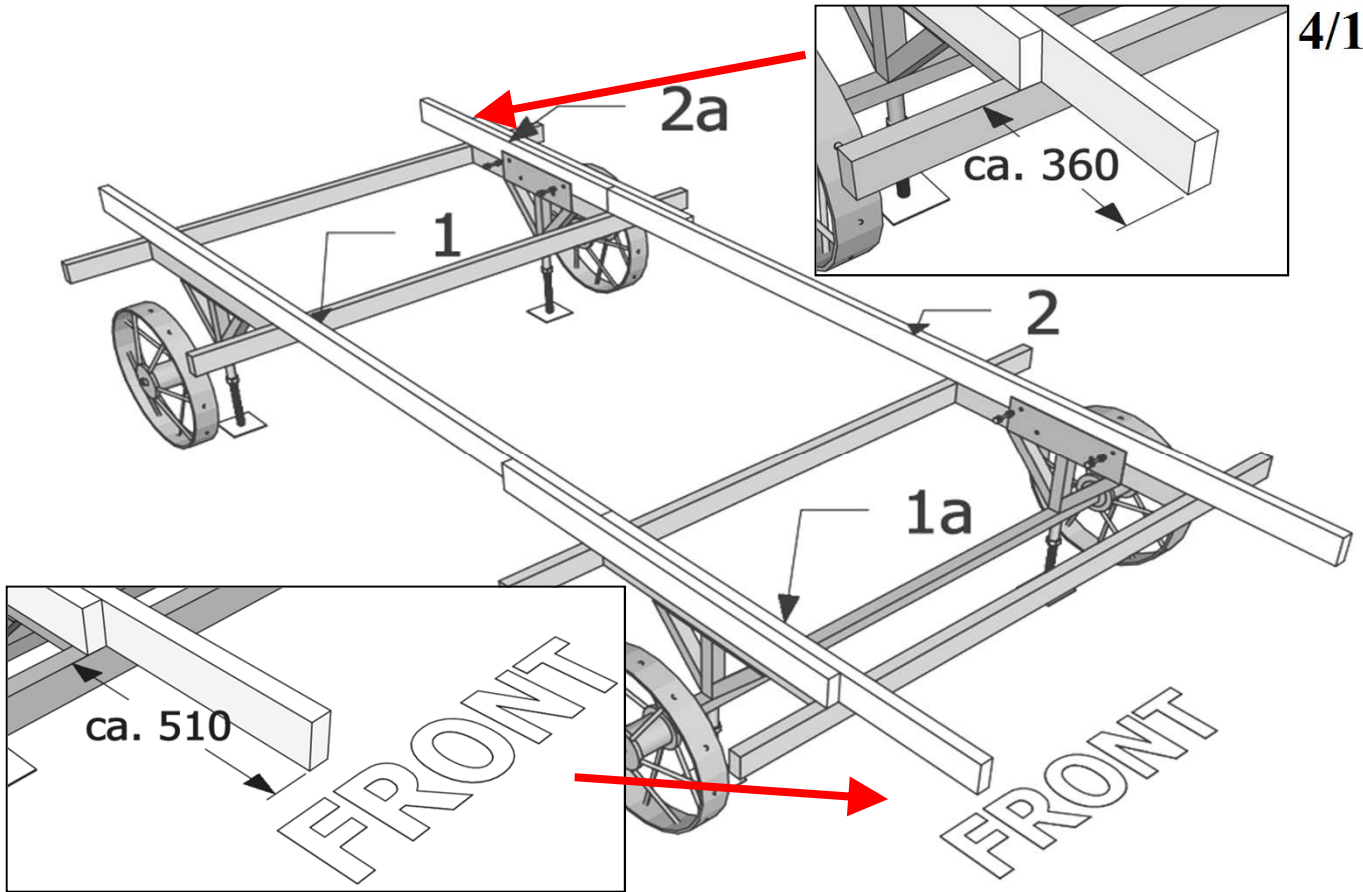


Bemærk : Hjul / Undervogn er tilbehør

DAGFRID 2,40 x 5,05 m.

Assembly instruction

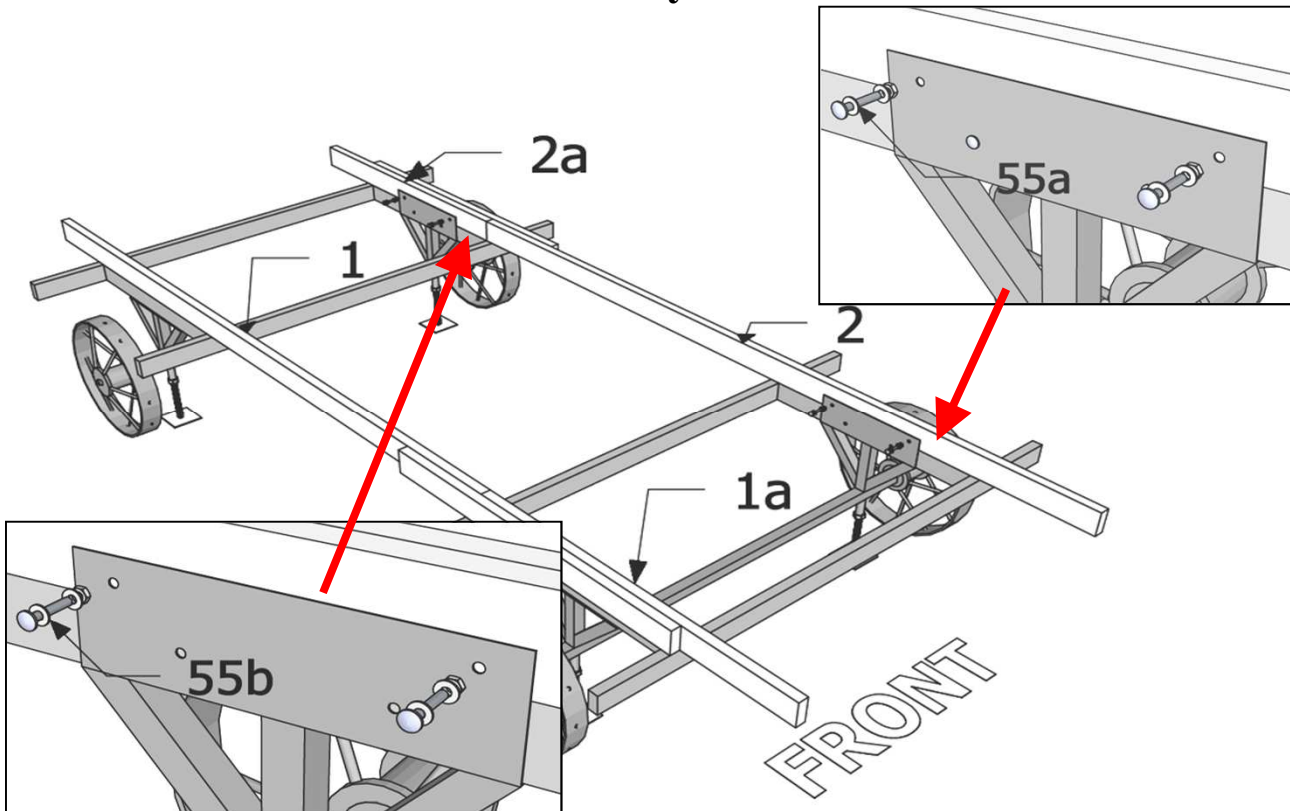
4/18



DAGFRID 2,40 x 5,05 m.

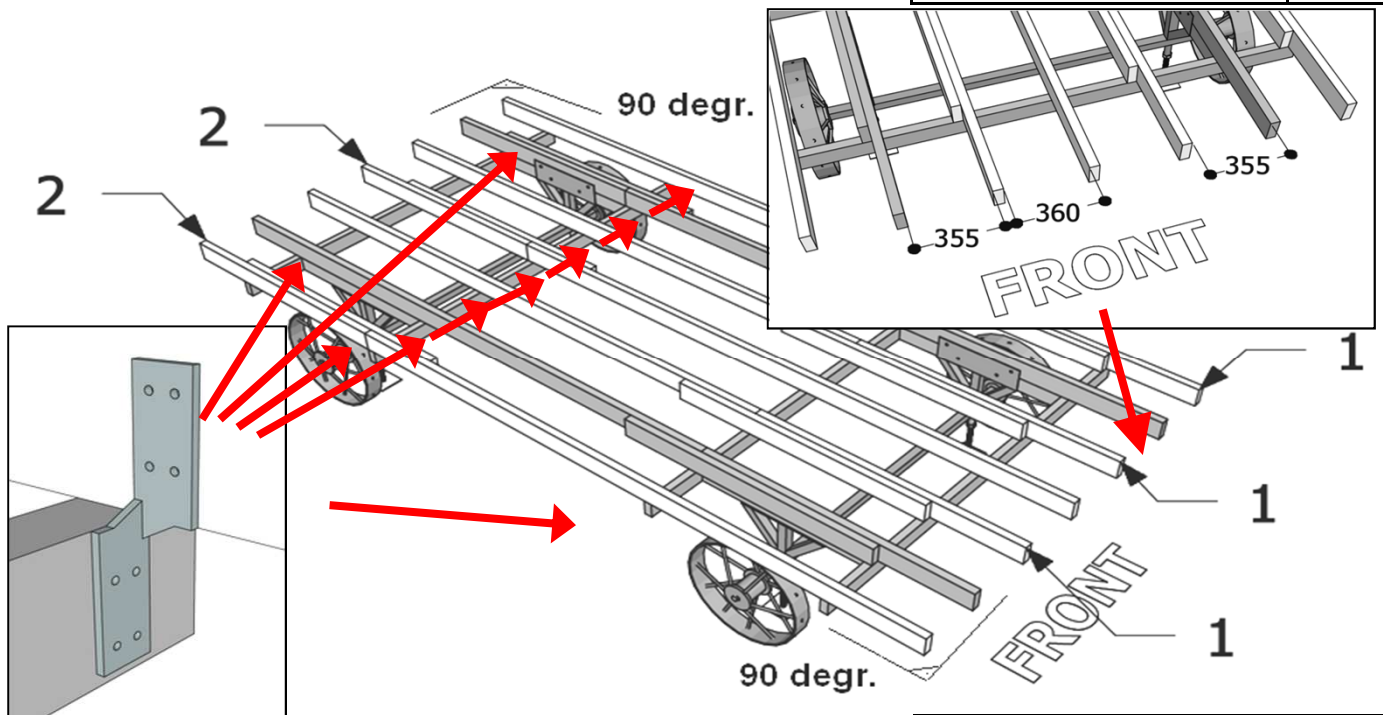
Assembly instruction

5/18



base + **1/1a-2/2a**

bolt M10x70	4
bolt M10x110	4
nut + washer M10	8



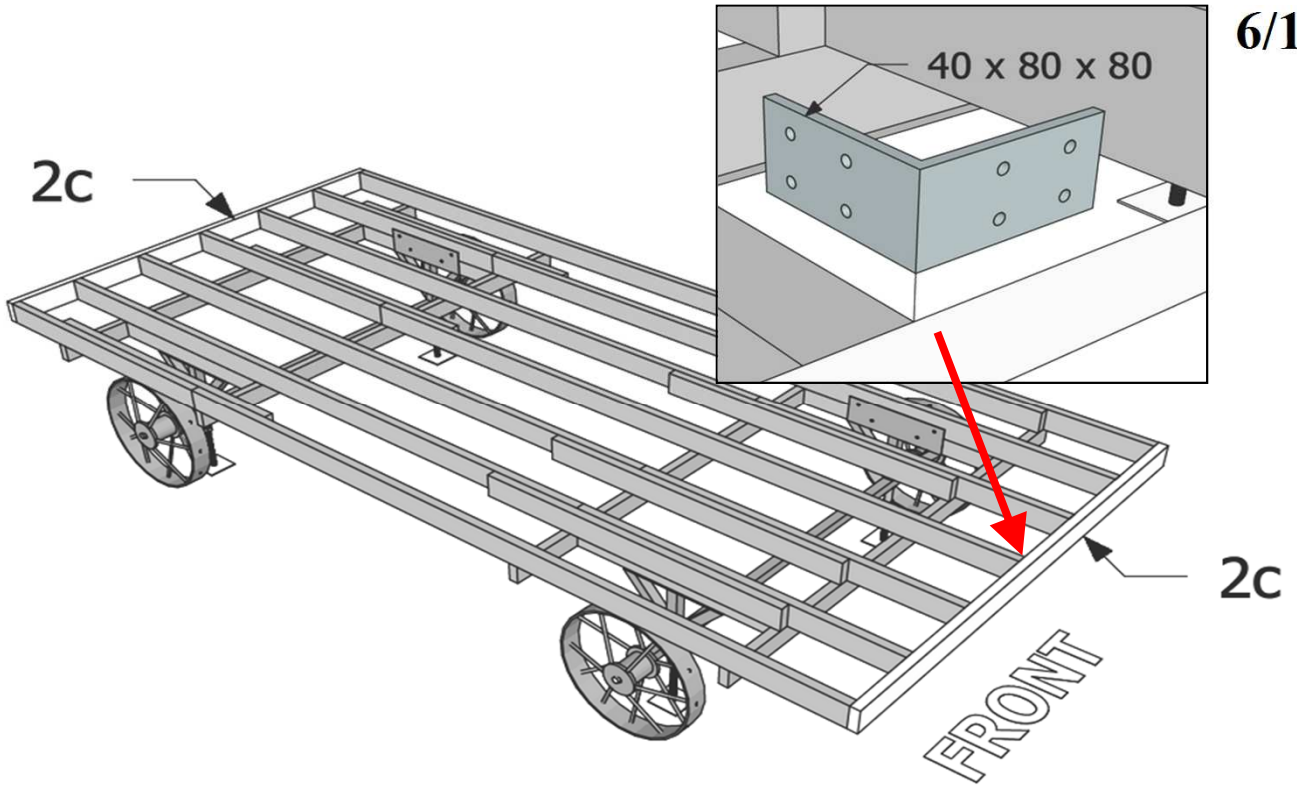
1/1a-2/2a + **1b - 1c**

4,5 x 80	10
3,5 x 40	144
support plate	18

DAGFRID 2,40 x 5,05 m.

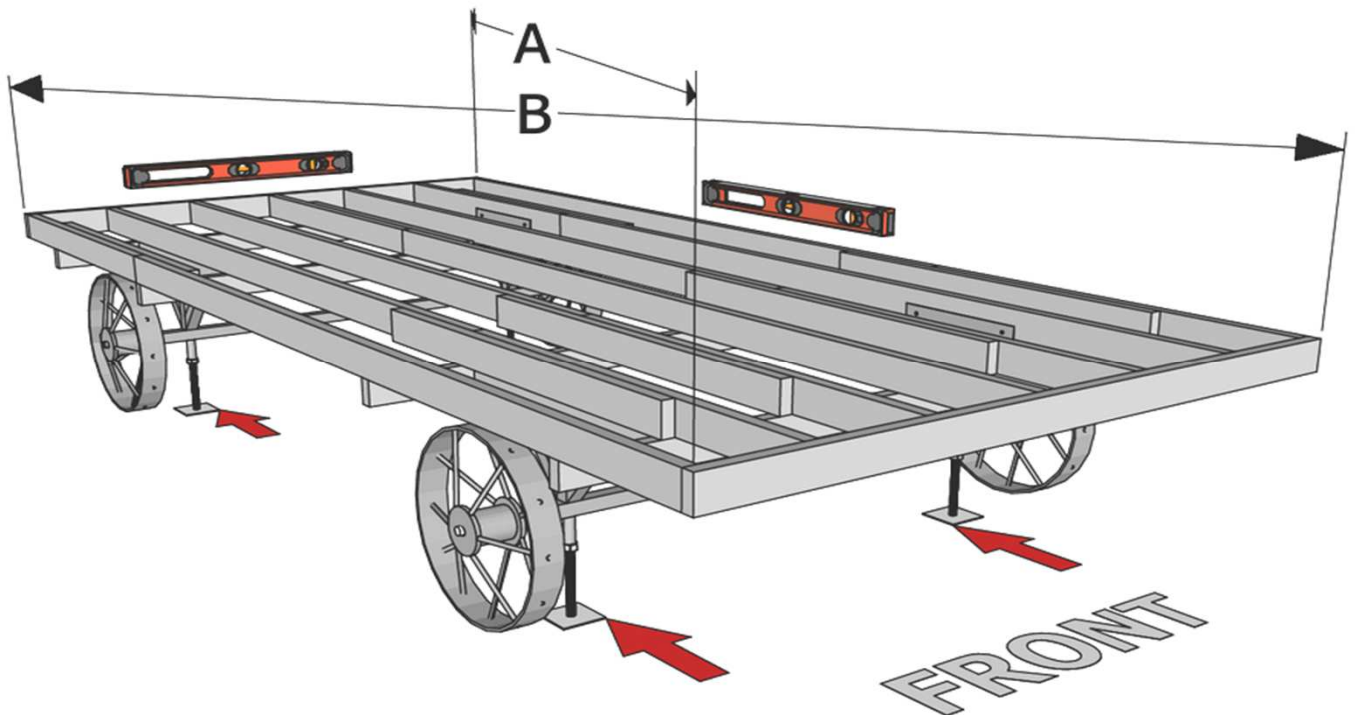
Assembly instruction

6/18



+ **2c**

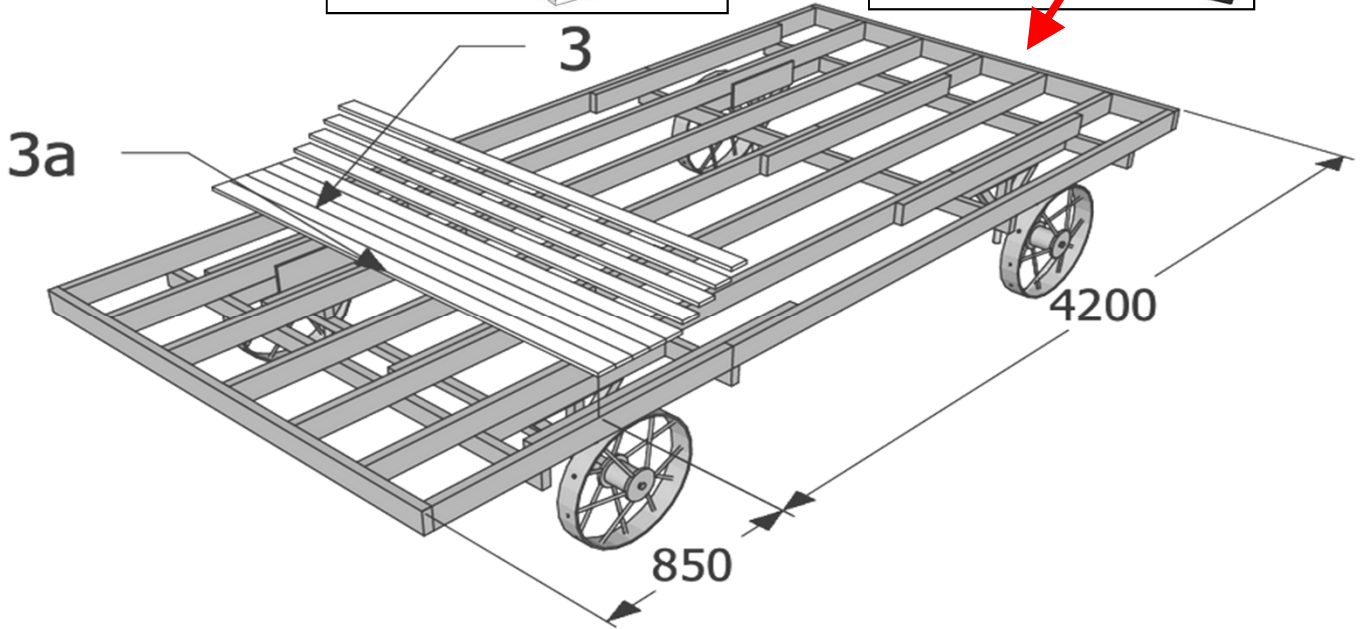
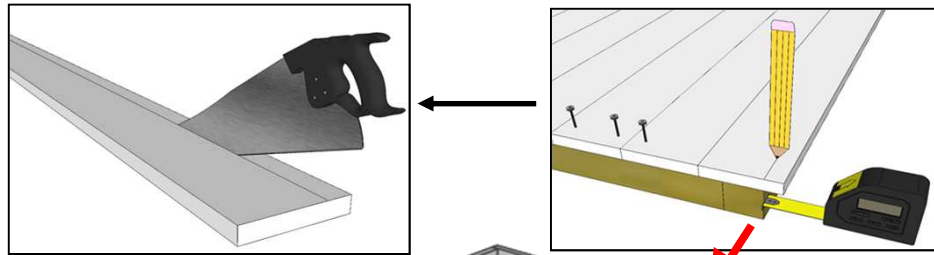
4,5 x 80	28
3,5 x 40	112
40 x 80 x 80	14



DAGFRID 2,40 x 5,05 m.

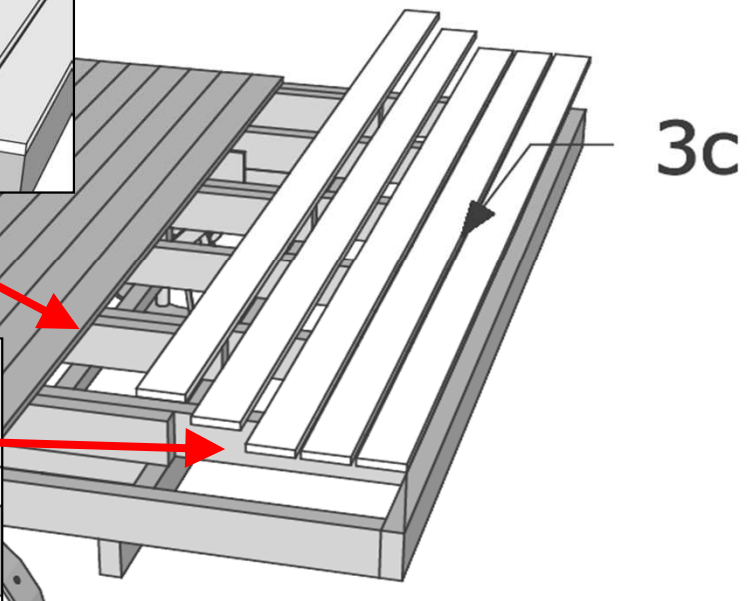
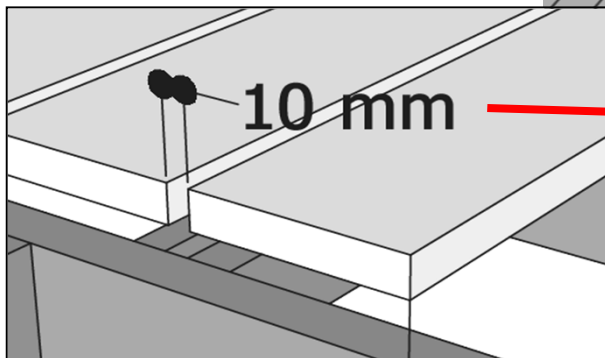
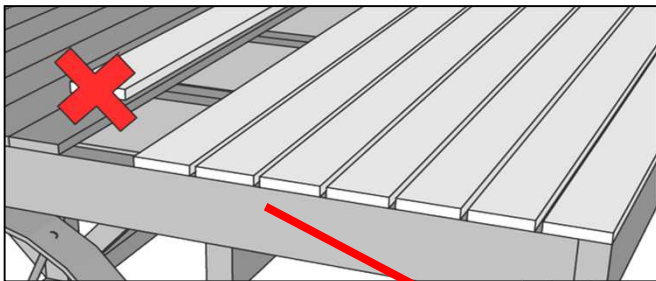
Assembly instruction

7/18



3a + **3**

2 x 50	350
---------------	------------



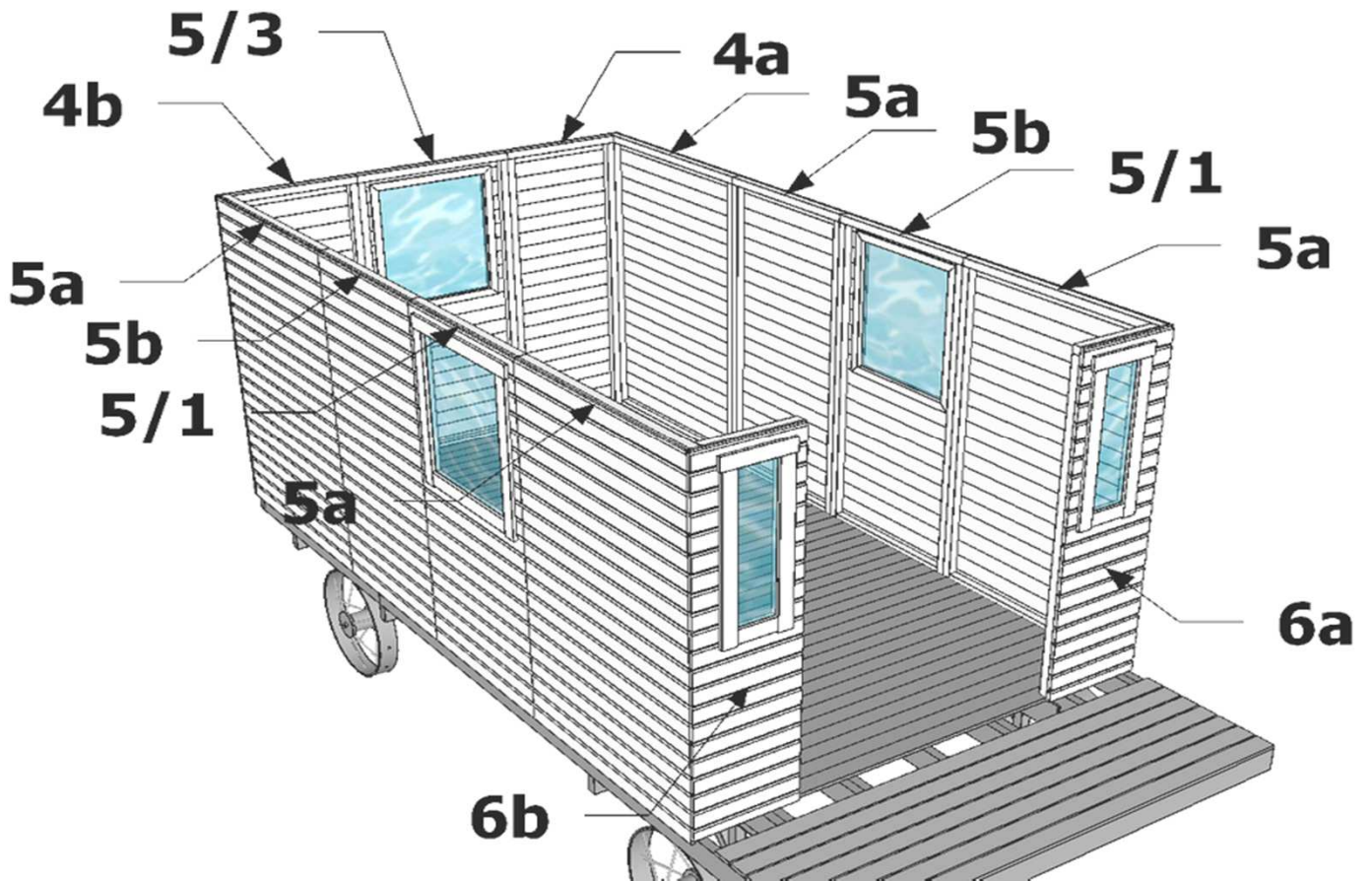
3c

2 x 50	90
---------------	-----------

DAGFRID 2,40 x 5,05 m.

Assembly instruction

8/18



$$4a + 5a + 5b + 5/1$$

$$+ 5a + 6a + 5/3 +$$

4,5 x 80	48
----------	----

$$4b + 5a + 5b + 5/1$$

$$+ 5a + 6b$$

4a	5a	5b	5/1	5a	6a	5/3
----	----	----	-----	----	----	-----

4b	5a	5b	5/1	5a	6b	+
----	----	----	-----	----	----	---

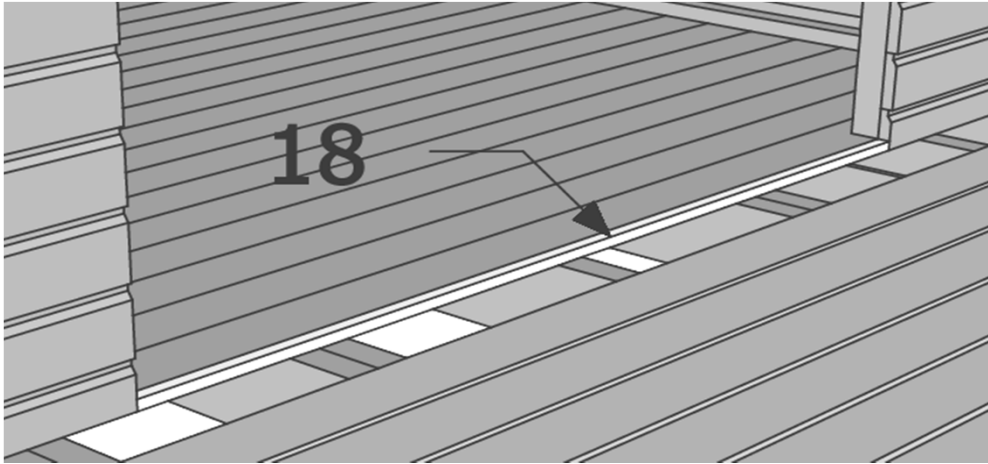
4 x 70	26
--------	----

base

DAGFRID 2,40 x 5,05 m.

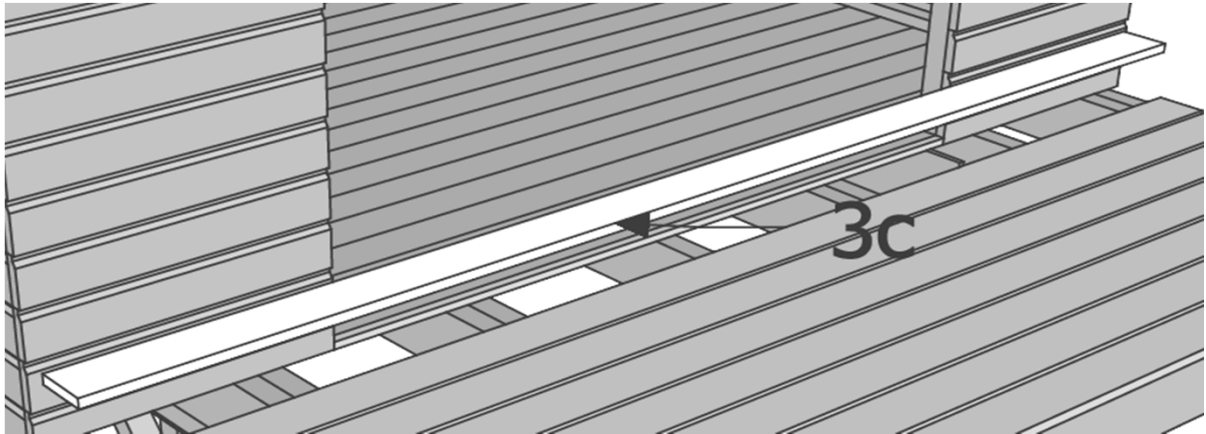
Assembly instruction

9/18



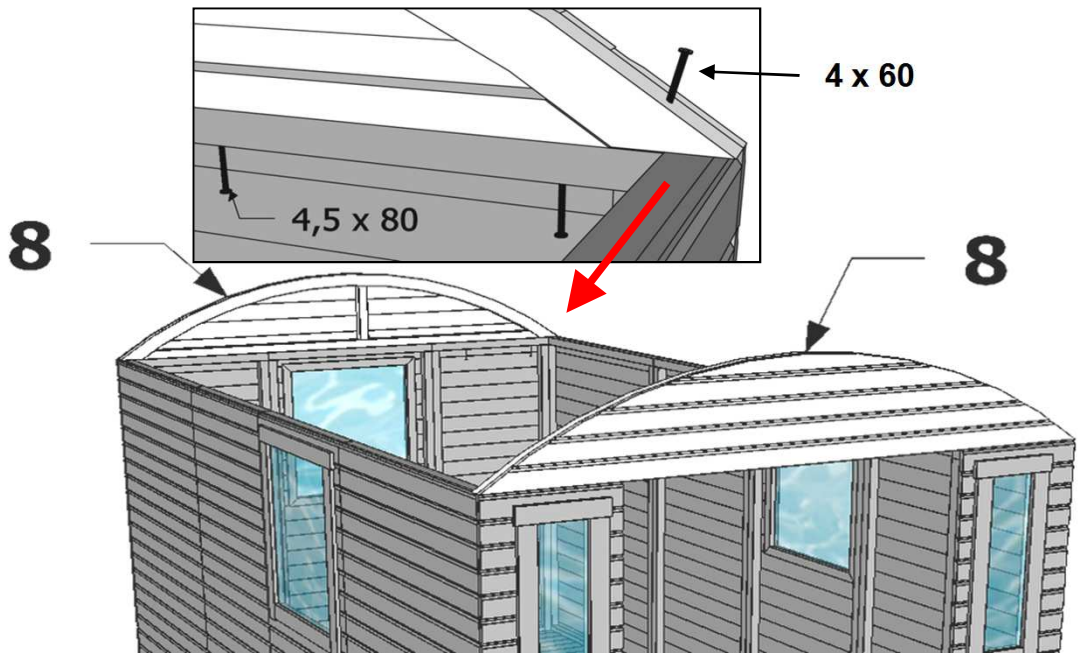
18

3,5 x 40	4
-----------------	----------



3c

2 x 50	14
---------------	-----------



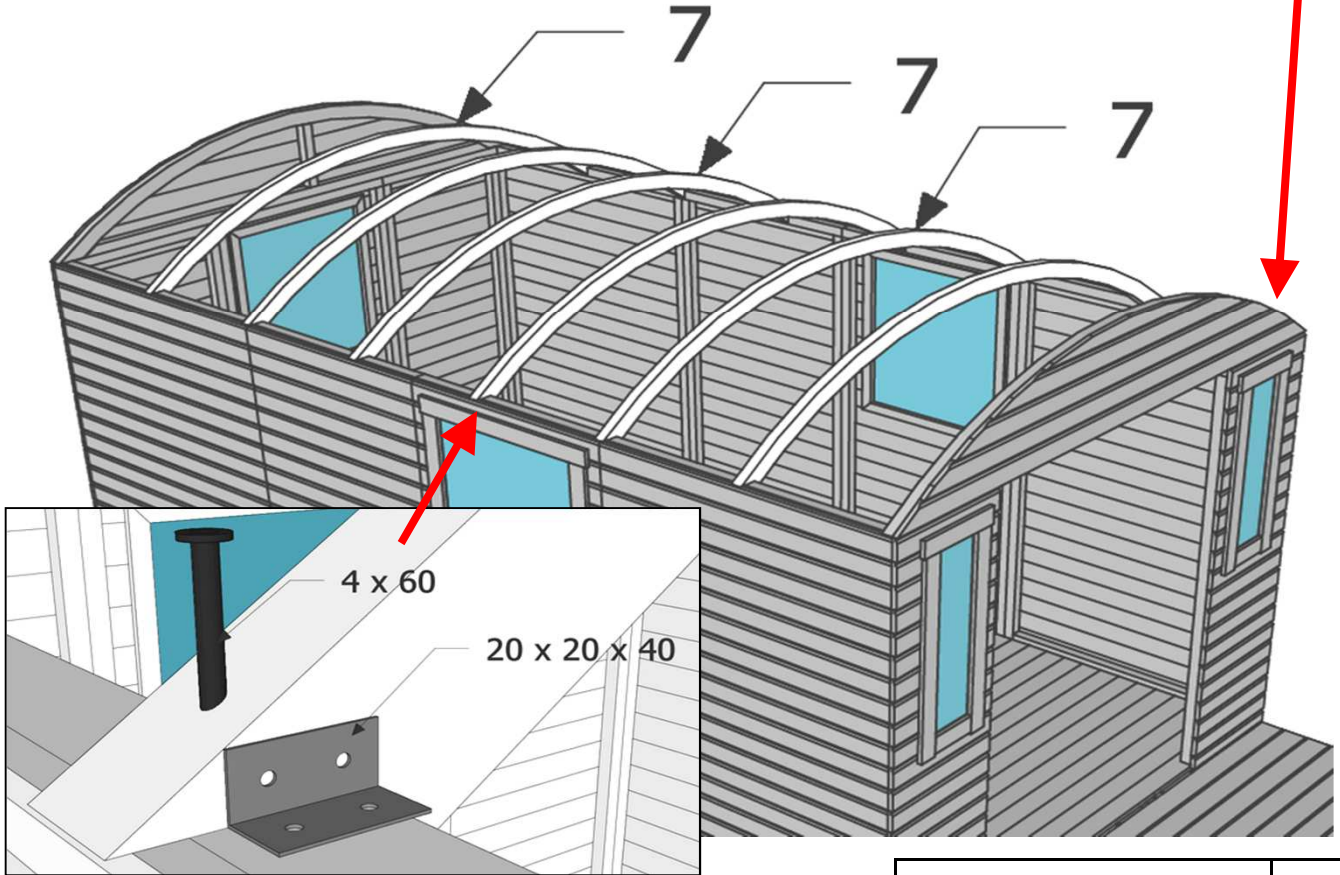
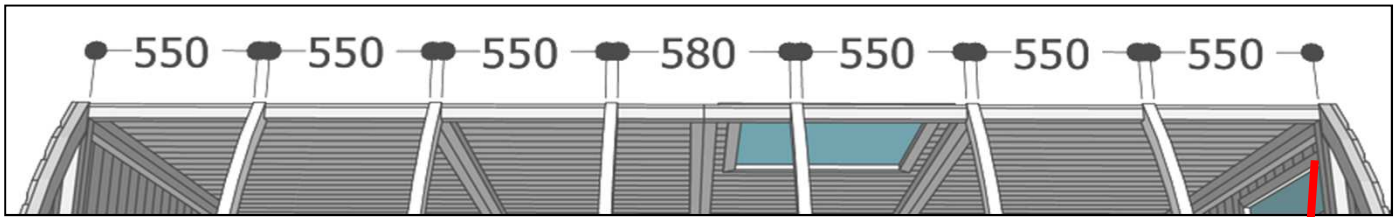
8

4,5 x 80	10
4 x 60	4

DAGFRID 2,40 x 5,05 m.

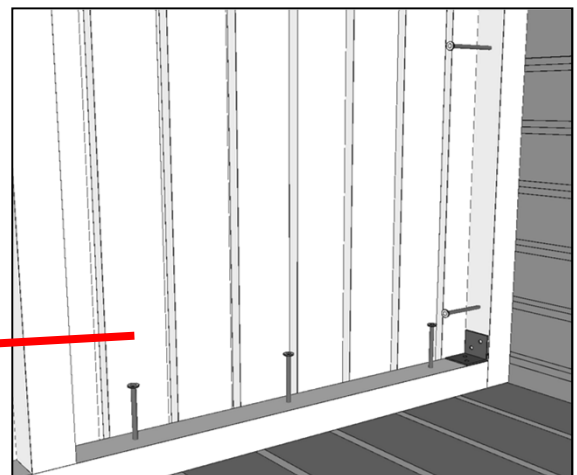
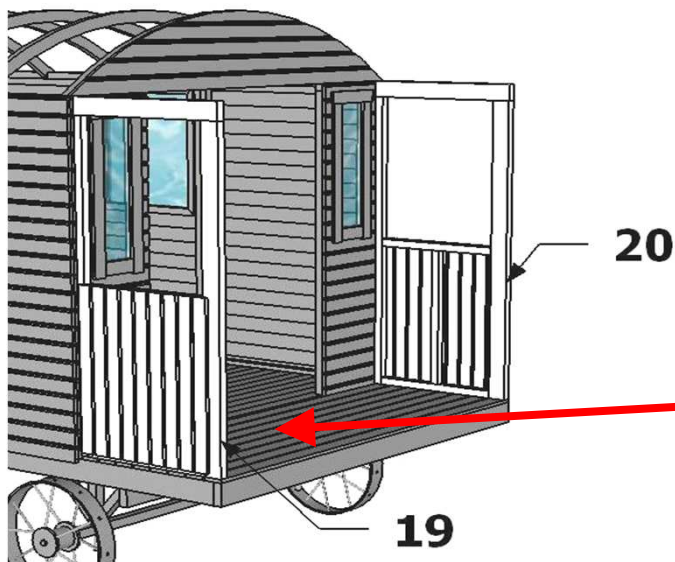
Assembly instruction

10/18



4 x 60	12
3,5 x 40	48
20 x 20 x 40	12

7

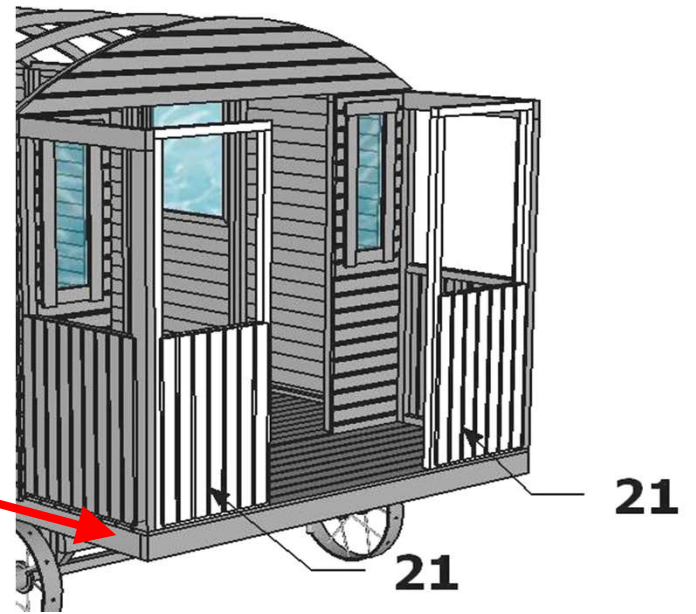
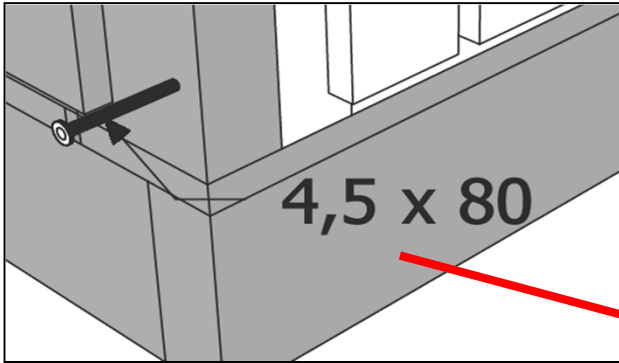


19 + 20

4,5 x 80	12
----------	----

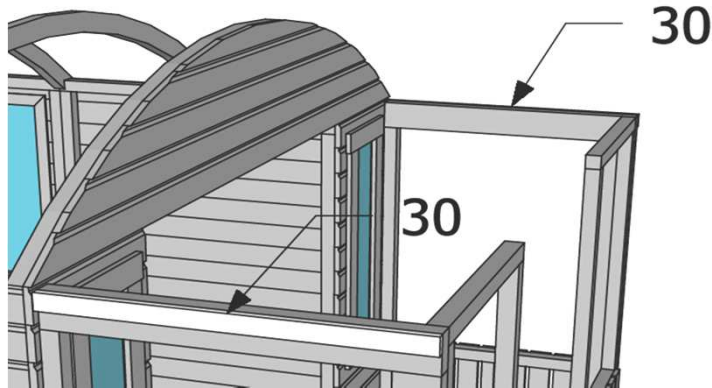
DAGFRID 2,40 x 5,05 m.

Assembly instruction



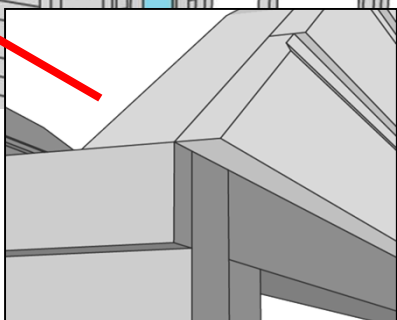
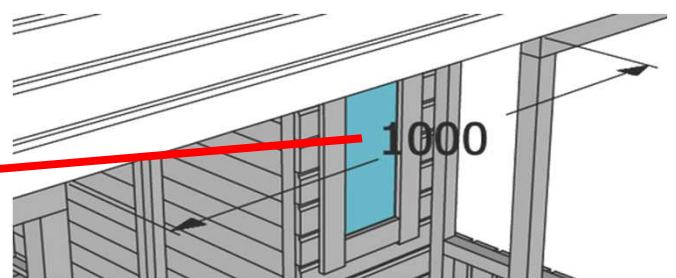
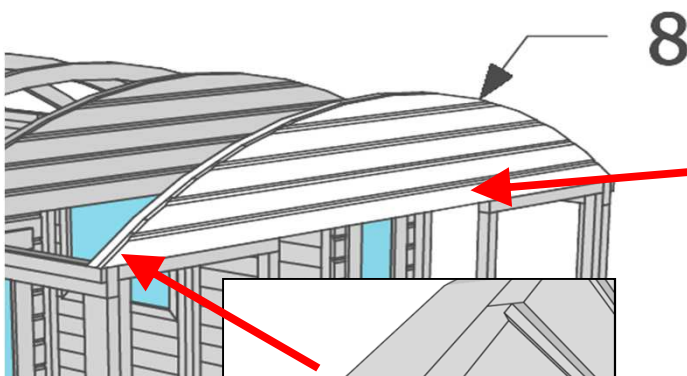
21

4,5 x 80	12
----------	----



30

3,5 x 40	6
----------	---



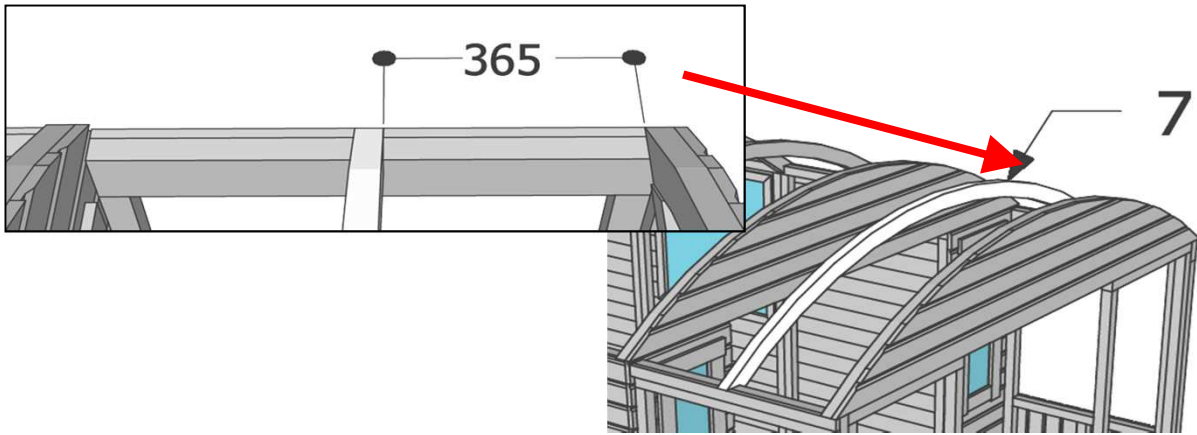
8

4,5 x 80	12
----------	----

DAGFRID 2,40 x 5,05 m.

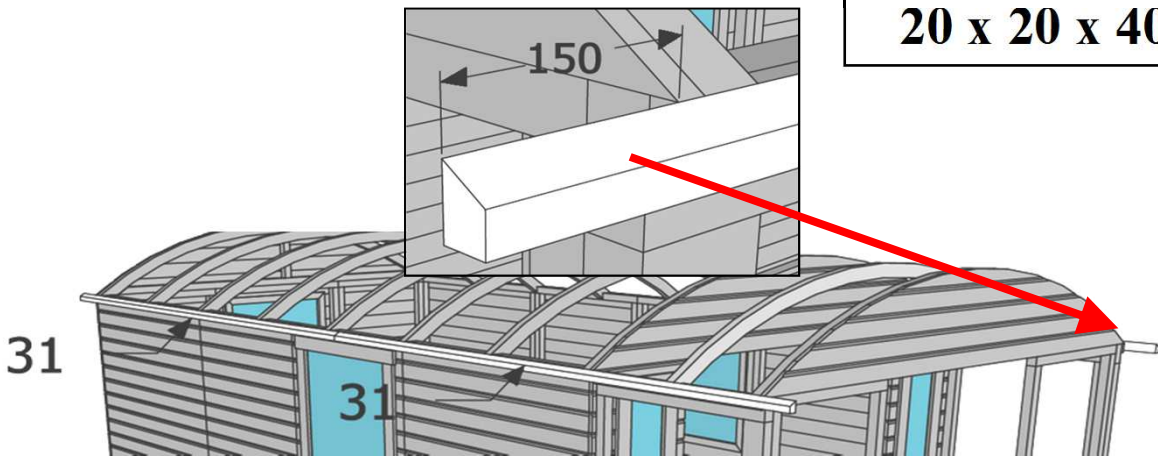
Assembly instruction

12/18



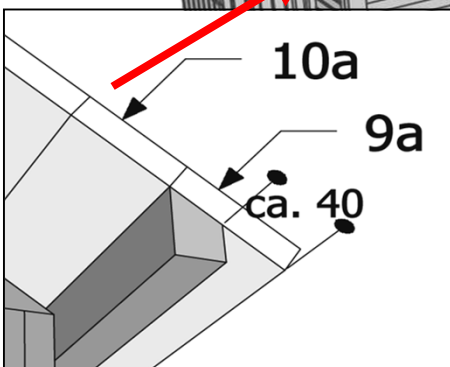
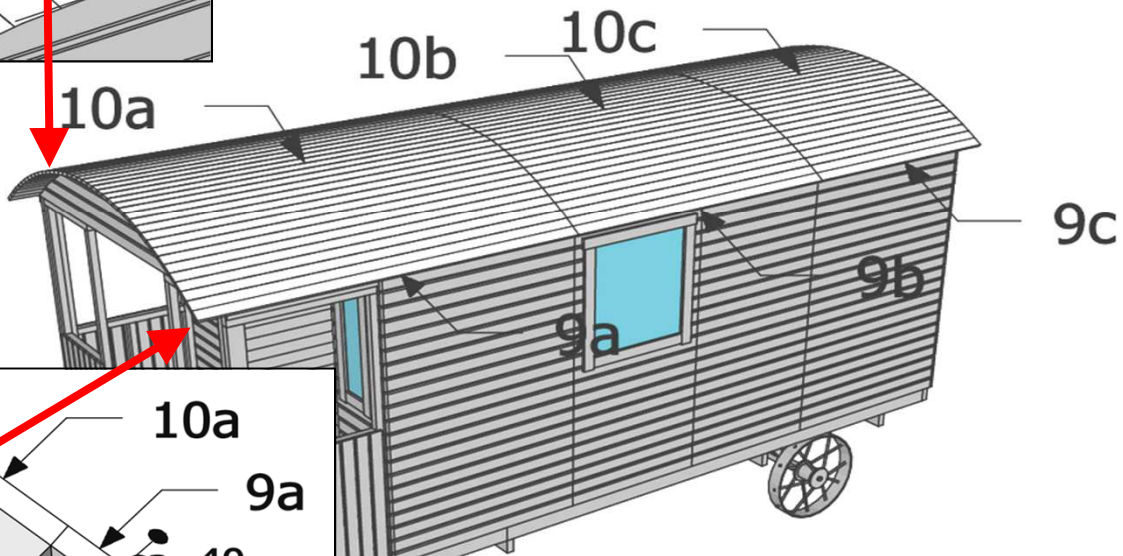
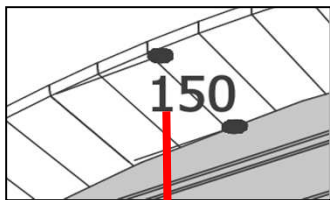
4 x 60	2
3,5 x 40	8
20 x 20 x 40	2

7



4 x 70	24
---------------	-----------

31



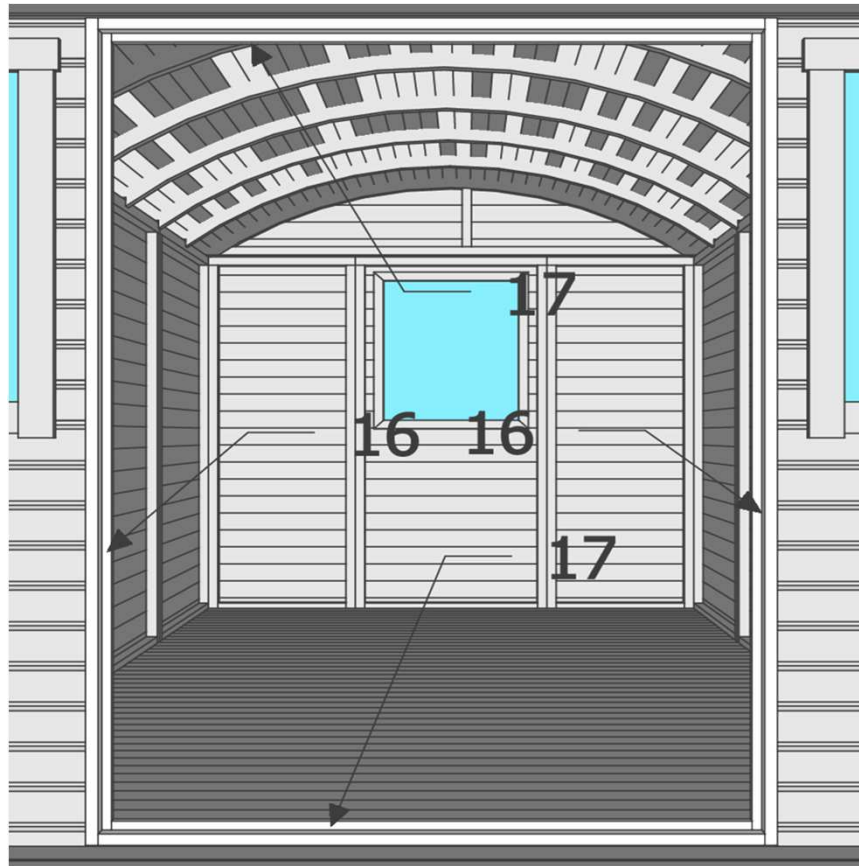
9a	9b	9c
10a	10b	10c

3,5 x 40	30
2 x 50	480

DAGFRID 2,40 x 5,05 m.

Assembly instruction

13/18



16	+	17	4 x 60	16
-----------	---	-----------	---------------	-----------

DAGFRID 2,40 x 5,05 m.

Assembly instruction

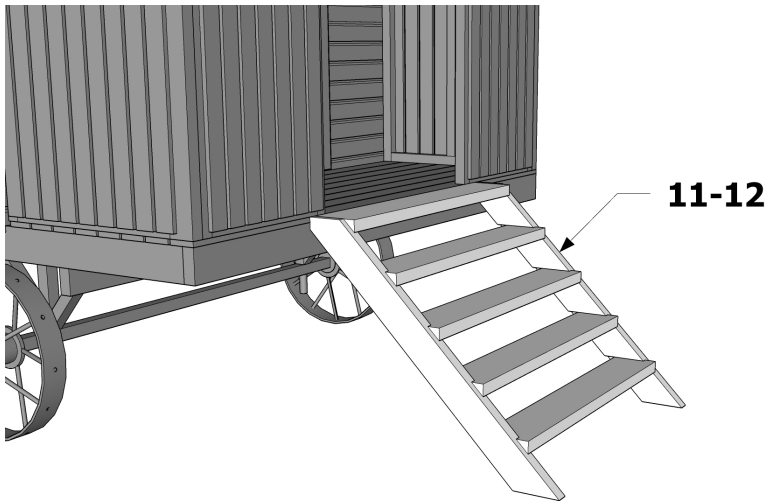
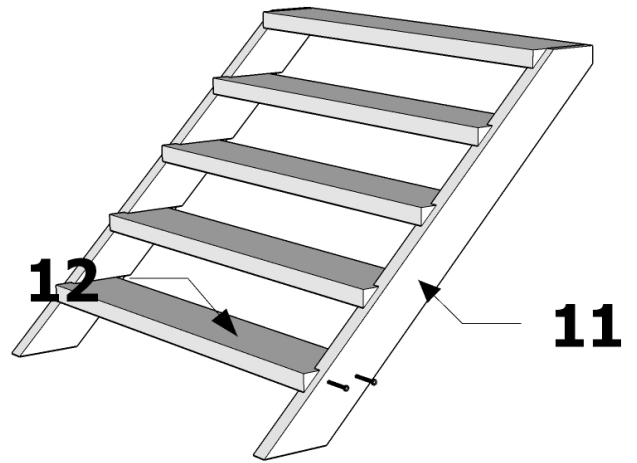


flush bolts and covers	3,5 x 40	8
-------------------------------	-----------------	----------

DAGFRID 2,40 x 5,05 m.

Assembly instruction

14/18

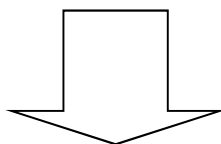
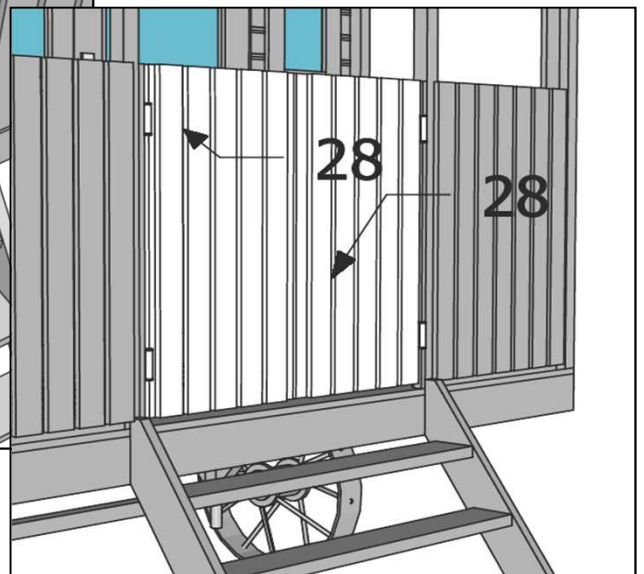
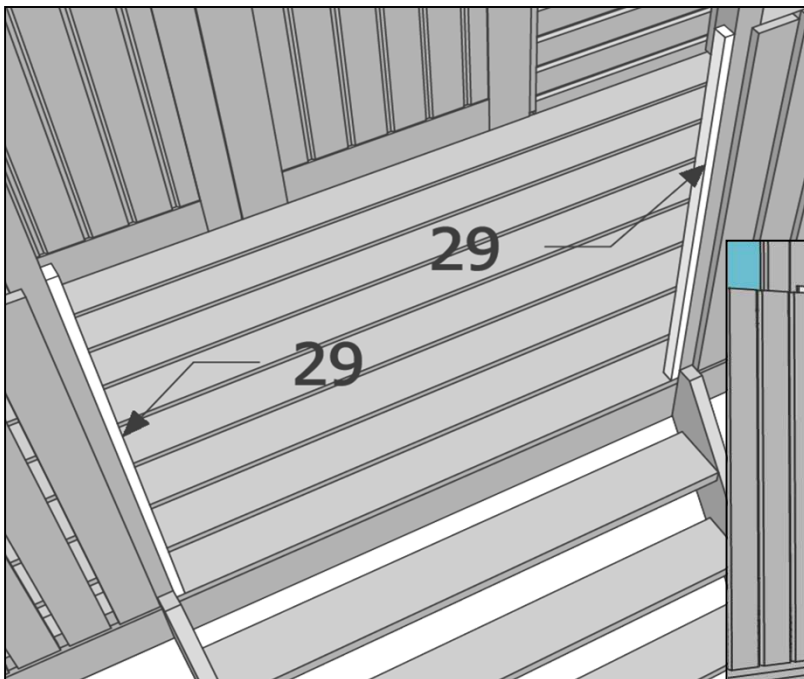


11
12

4,5 x 80	16
----------	----

11-12

4 x 70	2
3,5 x 40	12
40 x 40 x 40	2



DAGFRID 2,40 x 5,05 m.

Assembly instruction

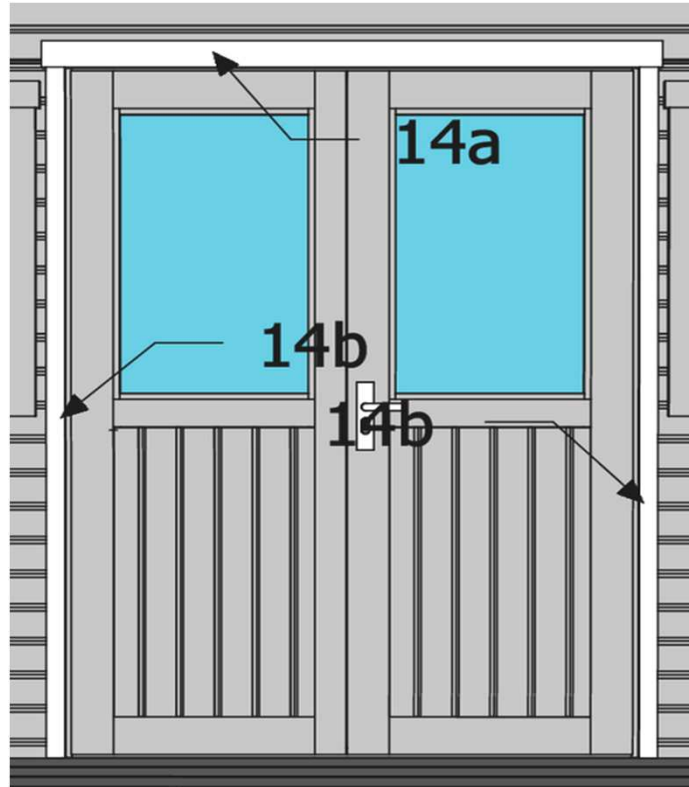
15/18

29

4 x 60	6
--------	---

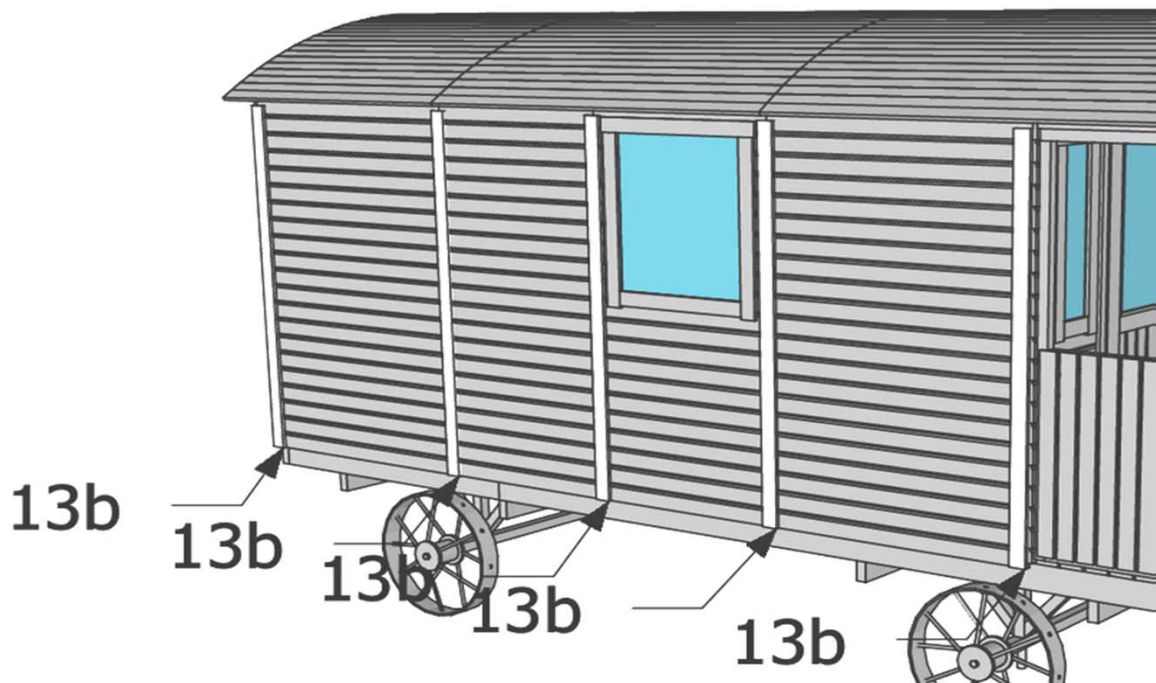
28

4 x 60	16
--------	----



14b + 14a

3,5 x 40	12
----------	----



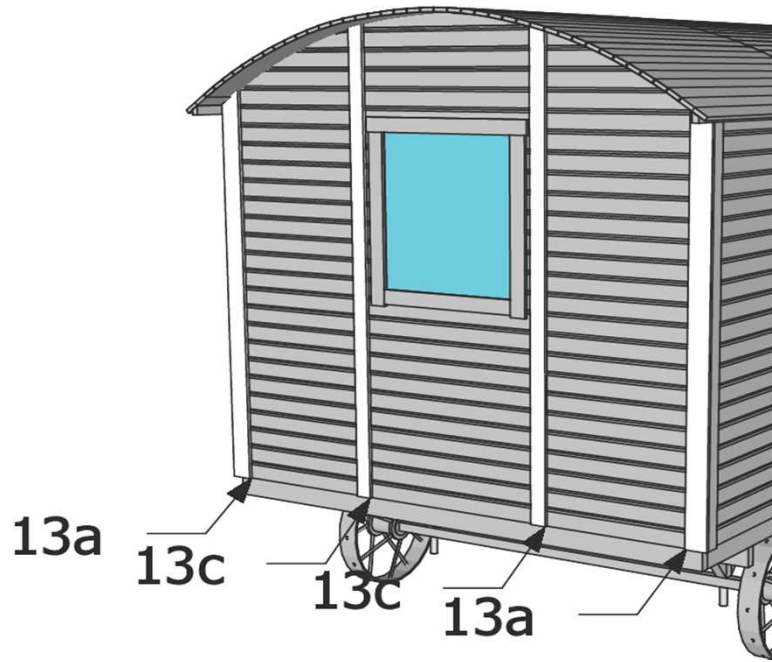
13b

3,5 x 40	40
----------	----

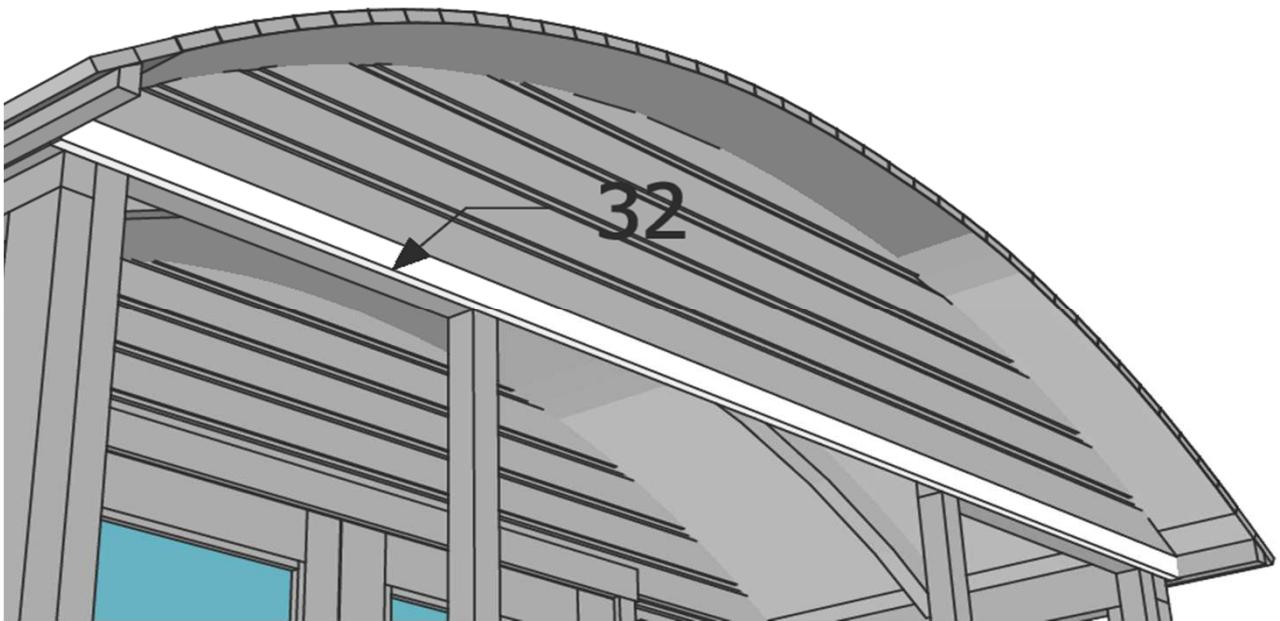
DAGFRID 2,40 x 5,05 m.

Assembly instruction

16/18



13a	+	13c	3,5 x 40	18
------------	---	------------	-----------------	-----------

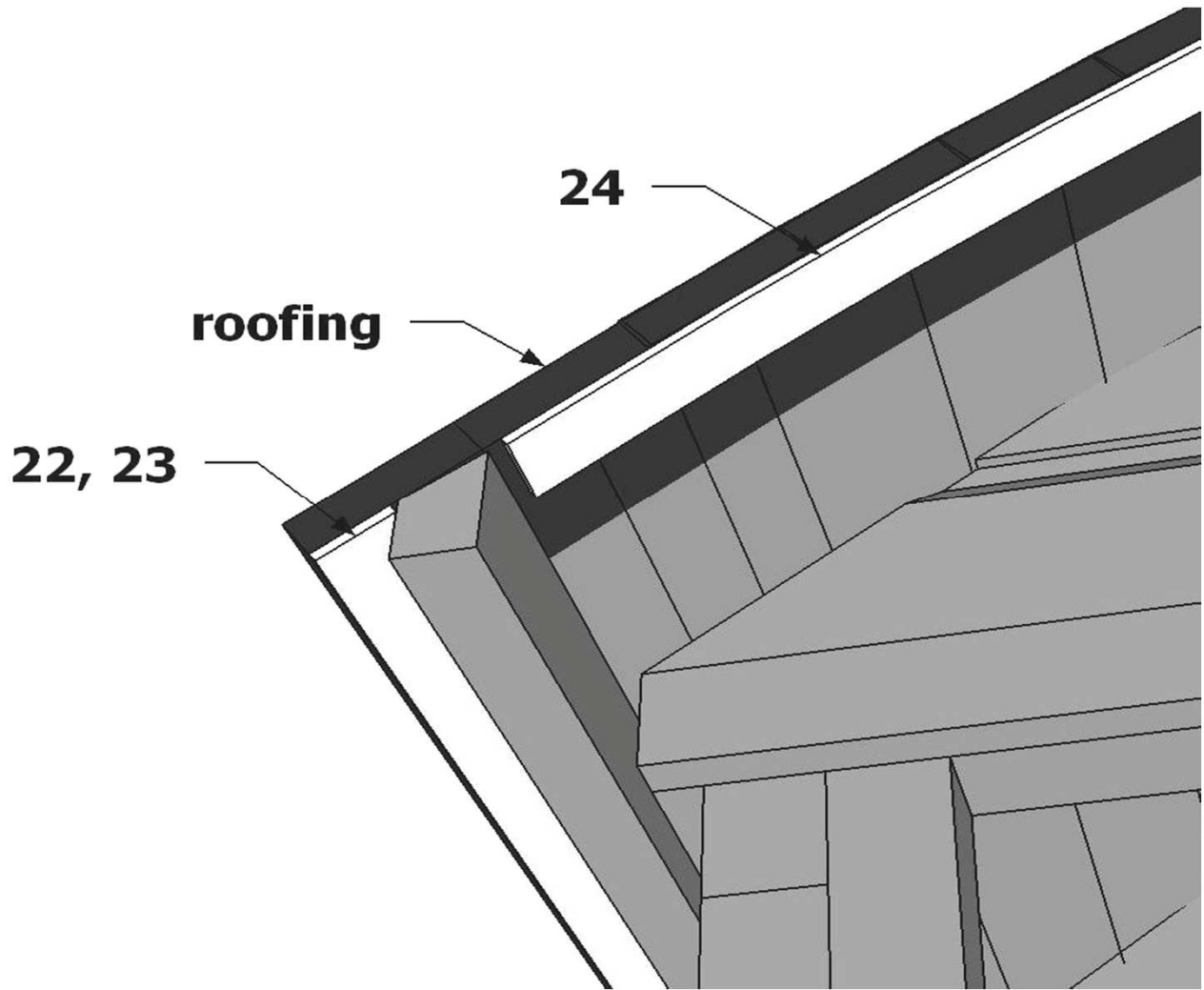


32	3,5 x 40	6
-----------	-----------------	----------

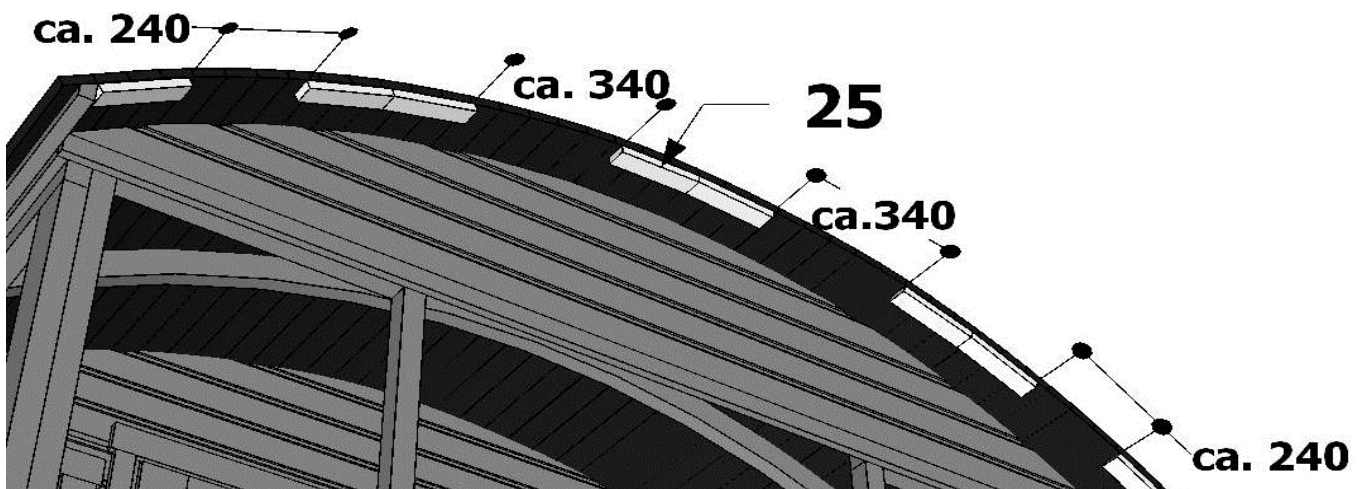
DAGFRID 2,40 x 5,05 m.

Assembly instruction

17/18



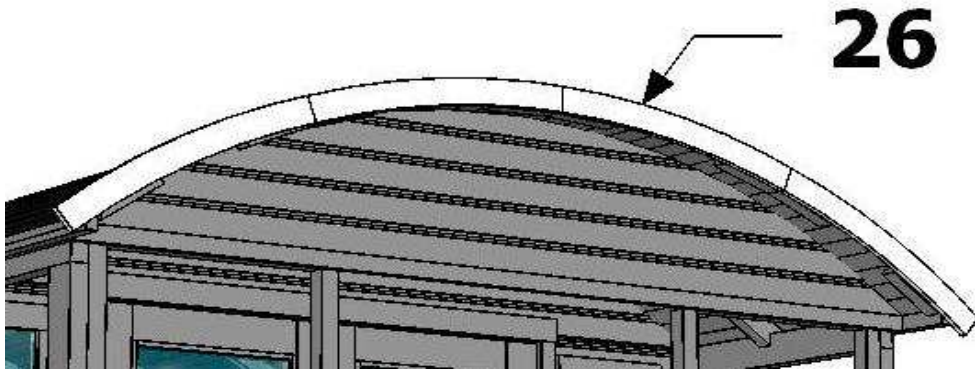
22	+	23	+	24	3,5 x 20	60
----	---	----	---	----	----------	----



25	3 x 40	32
----	--------	----

DAGFRID 2,40 x 5,05 m.
Assembly instruction

18/18



26

3 x 40

16

PRODUCT: ID: Article:	Packing list	Page
	DAGFRID, ISO glass	1/2
	40.01701	

element nr.	element's name	quantity	dimension (mm.)	specify
1	bottom beam	4	44 x 120 x 3406	
1a	bottom beam	4	44 x 120 x 1556	
1b	bottom frame	4	44 x 94 x 2368	
1c	bottom frame	4	44 x 94 x 1000	
2	bottom beam	3	44 x 120 x 3556	
2a	bottom beam	3	44 x 120 x 1406	
2b	bottom beam connection bar	7	44 x 120 x 1500	
2c	bottom beam	2	44 x 120 x 2368	
3	floorboard	46	19 x 90 x 2368	
3a	floorboard	1	19 x 90 x 2368	first
3c	floorboard veranda	8	19 x 94 x 2368	
4a	back wall, right	1	753 x 1890	
4b	back wall, left	1	753 x 1890	
5a	side wall	4	1200 x 1890	
5b	side wall	2	900 x 1890	
5/1	side wall with non-open window	2	900 x 1890	
5/3	back wall with open window	1	900 x 1890	
6a	front wall, right	1	513 x 1890	
6b	front wall, left	1	513 x 1890	
7	inner arch support	7	455 x 2406	
8	outer arch support, covered	3	2406 x 416	with panel
9a	roof board	1+1	19 x 70 x 2215	first/last
9b	roof board	1+1	19 x 70 x 1800	first/last
9c	roof board	1+1	19 x 70 x 1348	first/last
10a	roof board	29	19 x 90 x 2215	
10b	roof board	29	19 x 90 x 1800	
10c	roof board	29	19 x 90 x 1348	
11	stairs side	2	44 x 120 x 1205	45° //
12	stairs tread	5	44 x 170 x 1152	
13a	back wall edge cover slat	2	16 x 94 x 1960	end 37°
13b	side edges cover slat	10	16 x 70 x 1845	
13c	back wall middle cover slat	2	16 x 70 x 2266	end 15°
14a	doorway's upper slat	1	16 x 70 x 1470	
14b	doorway's side slat	2	16 x 44 x 1835	
15	double door 1380 x 1850	1	with lock and handle	

PRODUCT:

		DAGFRID, ISO glass	2/2
16	door jamb	2	46 x 52 x 1850 with hinges
17	threshold and the upper lath	2	46 x 52 x 1324
18	molding under the doorway	1	15 x 19 x 1380
19	porch element in left side	1	830 x 1850
20	porch element in right side	1	830 x 1850
21	porch element in front	2	640 x 1850
22	veneer in edge of the roof	4	4 x 30 x 2440 on the side
23	veneer in edge of the roof	2	4 x 30 x 900 on the side/cut
24	veneer in edge of the roof	6	4 x 30 x 900 ends
25	roof edge arc fixing brick	16	19 x 40 x 180
26	roof edge arc	8	L = 710 mm. arc-element
28	porch gate element	2	466 x 880 made-up
29	porch gate slat	2	16 x 25 x 900
30	porch side upper slat	2	19 x 44 x 830
31	the upper feather key	4	28 x 44 x 2682 edge 37°
32	upper front cover slat	1	19 x 44 x 2406
33	opening window	1	695 x 795 made-up, 5/3

Metal parts:

50	wagon wheel	4
51	wagon wheels washer	4
51a	wheel`s splint	4
52	wagon axle	2
53	adjustable support leg	4
54	adjustable leg`s nut M27	4
55a	bolt M10, L = 70 mm.	12
55b	bolt M10, L = 110 mm.	4
56	nut M10	16
57	washer M10	32
	fasteners set	
	assembly instruction	