



**38, 76 AND 190 SERIES  
CEDAR TEXTURE, BRUSHED SMOOTH  
PREFINISHED VENTED AND NON-VENTED SOFFIT**

LOUISIANA-PACIFIC CORPORATION PERIODICALLY UPDATES AND REVISES ITS PRODUCT INFORMATION AND APPLICATION, CARE, AND MAINTENANCE INSTRUCTIONS. WARRANTY REMEDIES ARE NOT AVAILABLE IF THESE INSTRUCTIONS ARE NOT FOLLOWED. THE INFORMATION IN THIS DOCUMENT IS SUBJECT TO CHANGE WITHOUT NOTICE.

FIND ALL LP® SMARTSIDE® PRODUCT LITERATURE AT [LPCORP.COM/PRODUCT-LITERATURE](http://LPCORP.COM/PRODUCT-LITERATURE)

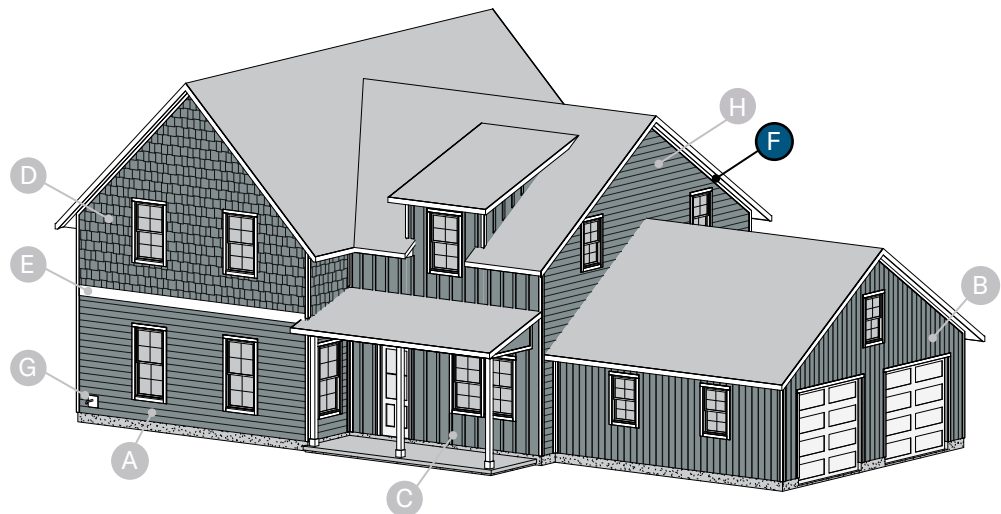
LP® SmartSide® ExpertFinish® Soffit is covered under the LP® SmartSide® ExpertFinish® Prorated 50-Year and 15-Year Limited Warranty. Refer to the warranty, which is available online, for complete terms and conditions. Product must be transported, stored, handled, installed, finished, and maintained in accordance with all published application, finishing, care, and maintenance instructions, technical notes, and bulletins (collectively, "Instructions") in effect at the time of installation.

Failure to follow such Instructions will make the limited warranty inapplicable as to the products affected by such failure. No modification or exception to these Instructions and no non-published recommendations are valid unless issued in writing on a project-specific basis by LP's Sr. Director of Technology prior to application. Always check and comply with local building codes. Even where these instructions approve installation over certain substrates or incorporate requirements of building codes, LP's liability for the performance of the product is limited as expressly provided in the Limited Warranty.

**⚠ WARNING: Drilling, sawing, sanding or machining wood products can expose you to wood dust, a substance known to the State of California to cause cancer. Avoid inhaling wood dust or use a dust mask or other safeguards for personal protection. For more information go to [P65Warnings.ca.gov/wood-dust](http://P65Warnings.ca.gov/wood-dust).**

## PRODUCT LEGEND

- A** LP® SmartSide® ExpertFinish® Lap Joint Siding
- B** LP® SmartSide® ExpertFinish® Panel Siding
- C** LP® SmartSide® ExpertFinish® Vertical Siding
- D** LP® SmartSide® ExpertFinish® Cedar Shake
- E** LP® SmartSide® ExpertFinish® Trim & Fascia
- F** LP® SmartSide® ExpertFinish® Soffit
- G** LP® SmartSide® ExpertFinish® Accessories
- H** LP® SmartSide® ExpertFinish® Nickel Gap Siding



## GENERAL INFORMATION

### HANDLING

- Handle prefinished LP SmartSide ExpertFinish soffit with extreme care during storage and application.
  - When unpackaging siding, cut the clear shrink-wrap along the full-length and back of siding to avoid cutting, dragging and scuffing of the painted surface.
  - If siding is restacked after removing clear shrink-wrap, make sure to keep slip between painted surface and back of the siding.

### STORAGE

- Store off the ground well supported, on a flat well-drained surface. If delivered without a pallet, additional support may be required to provide a minimum 2 inch (51 mm) clearance of Prefinished siding from the ground.
- Store Prefinished siding under a roof or separate waterproof covering until the siding is installed on the structure. **The clear shrink-wrap is perforated and does not provide protection from water intrusion.**
  - Protect the Prefinished siding at the end of each installation day by moving siding back under a roof or reapply a waterproof covering.
- Do not install if any type of residue is detected on the surface. Follow Residue Removal Guidelines in [Technical Bulletin #053](#).



**Soffit Panel  
Figure 1a**

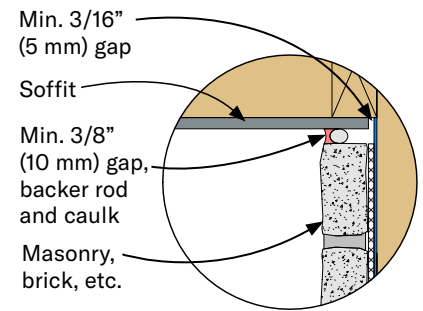


**Cut-to-Width Soffit  
Figure 1b**

## GENERAL INFORMATION (CONT'D.)

### BEFORE YOU BEGIN

- At the time of manufacture, soffit has achieved code recognition by APA in accordance with PR-N117 as RATED SHEATHING-CEILING DECK (RS-CD). For copies of product approvals go online at [lpcorp.com/product-literature](http://lpcorp.com/product-literature) or call LP Customer Support at 888-820-0325.
- Space ends and edges a min. 3/16 inch (5 mm) where soffit is adjacent to other building materials and apply sealant (caulk). (Figure 2a)
  - Exception: Soffit panel applied in an open soffit application.
  - Exception: Trim, frieze board or siding may lightly touch soffit. (Figure 9a)
- Ends and edges must be supported. Additional 2x blocking may need to be installed for larger soffit widths.
  - Complete perimeter 2x framing support is required for all soffit.
- Soffit must not be in direct contact with masonry, concrete, brick, stone, stucco or mortar. Provide a min. 3/8" (10 mm) gap and fill with backer rod and sealant. (Figure 2b)
- Do not use staples.
  - Exception: Refer to **Alternate Fastening Options - Staples in Open Soffit Applications** on [page 9](#).



Open Soffit

Figure 2b

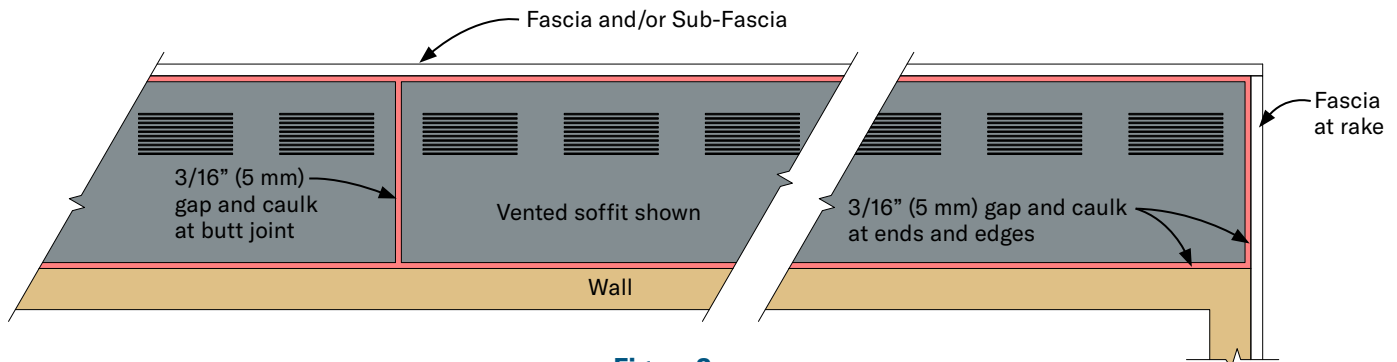
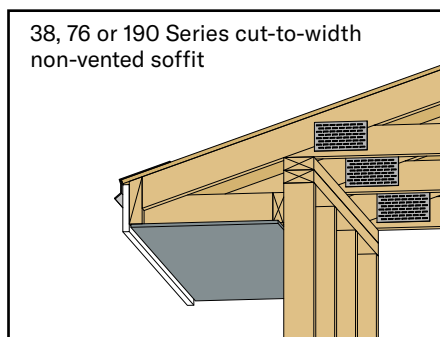


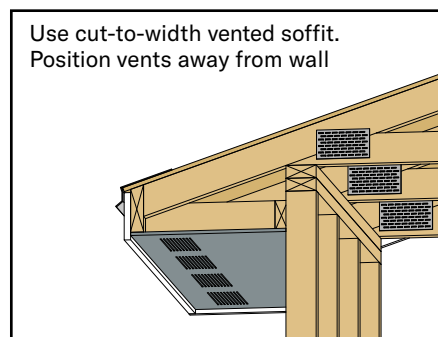
Figure 2a

### LIMITATIONS

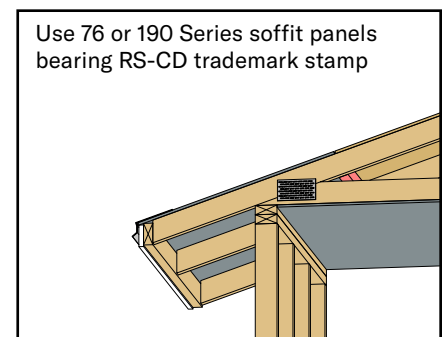
- LP® SmartSide® Soffit products are not designed for and are not suitable for use as siding.
  - Exception: Dual Use Soffit/Siding products APA Trademark stamped both **CUSTOM PRODUCT - SOFFITS** and **RATED SIDING - SHEATHING** may be used in siding applications.
- Soffit is available in cut-to-width (CTW) options in 12 inch (305 mm), 16 inch (406 mm) and 24 inch (610 mm) widths.
  - CTW soffit is available in vented and non-vented options. (Figure 2c, 2d)
  - Do not apply CTW soffit in open soffit applications.
- 76 and 190 Series 4 ft. wide soffit panels carry both **CUSTOM PRODUCT - SOFFITS** and **RATED SHEATHING - CEILING DECK (RS-CD)** APA Trademark stamps for soffit applications. (Figure 2e)
  - Soffit panel carrying an RS-CD trademark stamp can be used in an open soffit application as roof sheathing.
    - Install prefinished side of soffit surface facing down toward open framing.



Closed Soffit  
Figure 2c



Closed - Vented Soffit  
Figure 2d



Open Soffit  
Figure 2e

## INSTALLATION

### FASTENING INSTRUCTIONS

- **Fastener:** Use a min. 0.092 inch shank diameter, hot-dip galvanized nail (ASTM A153) or equivalent; capable of preventing rust, stain and deterioration under normal outdoor environmental conditions for a period of no less than 50 years.
  - A larger shank diameter nail may be required depending on the wind pressure, wind speed and wind exposure category limitations outlined in [PR-N117](#).
- **Fastener placement and length:** (Figure 3a)
  - Place nails a min. 3/8 inch (10 mm) from ends and edges.
  - For **vented** soffit, refer to Table 1 in PR-N117 for nail length requirements.
  - For **non-vented** soffit, refer to Table 2 in PR-N117 for nail length requirements.
- **Fastener spacing:** Max. 6 inches (152 mm) o.c. along perimeter and max. 12 inches (305 mm) o.c. along intermediate supports. (Figures 3c, 3e)
  - A tighter field nailing pattern, or a longer nail may be required depending on the wind pressure, wind speed and wind exposure category limitations outlined in Tables 1 & 2 in PR-N117.
  - Exception: CTW soffit 12 inches (305 mm) wide or less do not require intermediate support. (Figures 3b)
- Nail from the center of the soffit toward the ends, or from one end to the other end.
  - **Do not** nail from each end toward the middle.
- Provide a min. 3/16 inch (5 mm) gap at butt joints. (Figure 3a)
  - Use spacing tool like SIMPLSIDER® siding gauge to achieve proper gapping.
- Attached soffit to min. 2x framing members.
- Butt joints must occur over wood 2x framing members.
  - Additional 2x wood blocking may be required.
- A max. of 24 inches (610 mm) o.c. intermediate support is required for soffit greater than 12 inches (305 mm) wide. (Figures 3d, 3e)
  - 24 inch (610 mm) o.c. intermediate support is **NOT** required for soffit 12 inches (305 mm) wide or less. (Figures 3b, 3c)
- Apply caulk at ends, edges and butt joints. (Figures 2a)

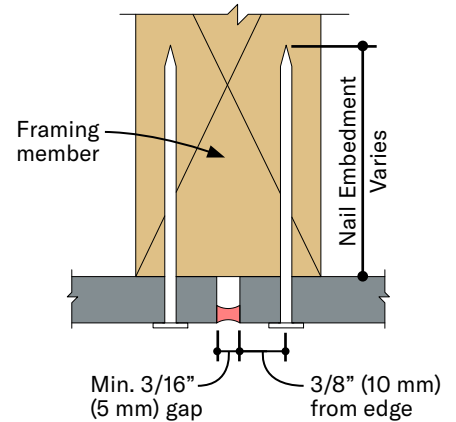
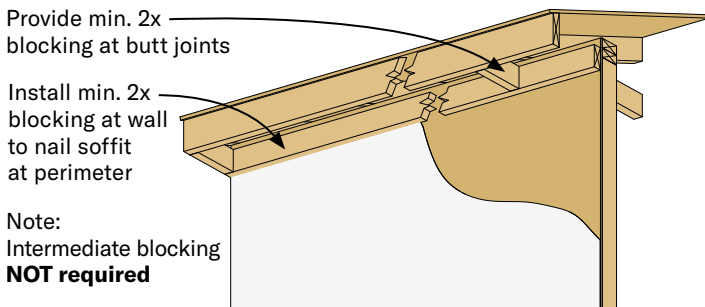
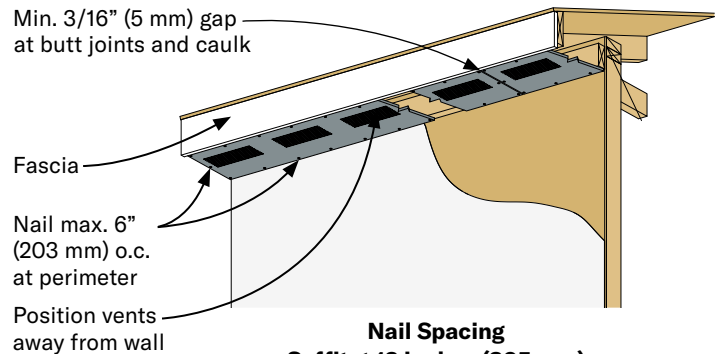


Figure 3a



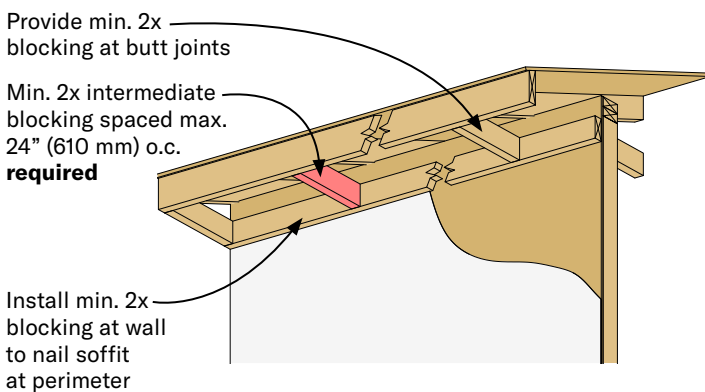
Soffit ≤ 12 inches (305 mm)

Figure 3b



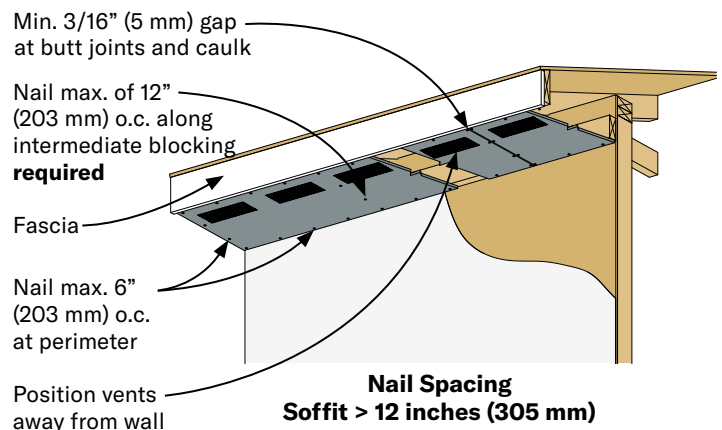
Nail Spacing  
Soffit ≤ 12 inches (305 mm)

Figure 3c



Soffit > 12 inches (305 mm)

Figure 3d

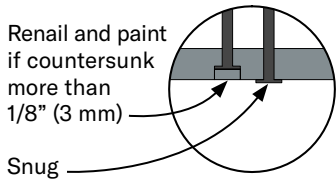


Nail Spacing  
Soffit > 12 inches (305 mm)

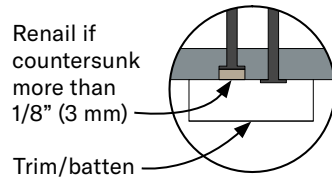
Figure 3e

## INSTALLATION (CONTINUED)

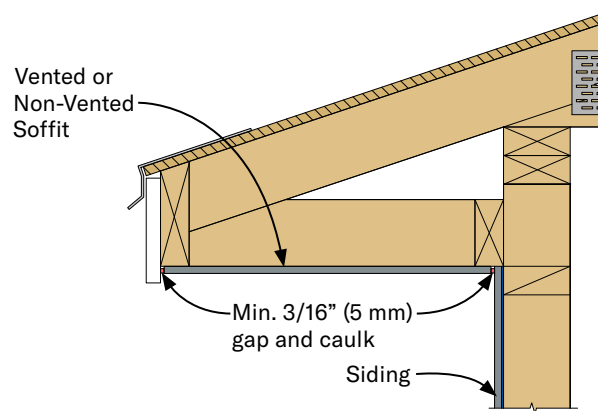
- Do not overdrive nails.
  - Nail head should seat snug to face of soffit, but not flush to distort the soffit surface.
  - Face nails: corrections are detailed in [Figures 4e, 4f](#).
- Painting all exposed nail heads is recommended.



**FACE NAILED  
CONDITION**  
**Figure 4e**



**BLIND NAILED  
CONDITION**  
**Figure 4f**



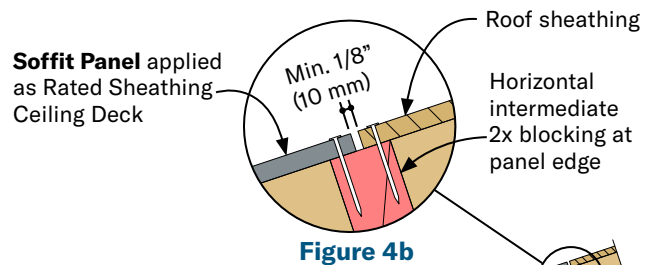
**Closed Soffit - Section**  
**Figure 4a**

### CLOSED SOFFIT

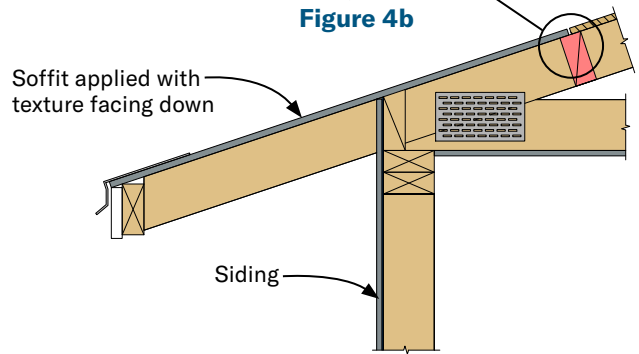
- CTW vented and non-vented soffit is recommended for closed soffit applications at eaves/overhangs or rakes. ([Figures 4a](#))
- If field cut (ripping) is required, remove 3/8 inch (10 mm) less than full width of the eave/overhang to provide for a min. 3/16 inch (5 mm) gap on along edges.

### OPEN SOFFIT

- 76 and 190 Series soffit panels APA Trademark stamped RS-CD may be installed prefinished side face down toward open framing as the first row of roof sheathing. ([Figure 4c](#))
  - Install soffit panel with the long dimension or strength axis perpendicular to the rafters, supported along all four edges by framing or solid 2x intermediate blocking.
  - Provide min. 2x intermediate blocking between the rafters so you can nail the soffit to the blocking. ([Figure 4b](#))
  - Leave a min. 1/8 inch (3 mm) space between the edges and ends of the panel.
  - Space nails a max. of every 6 inches (152 mm) o.c. along the perimeter and max. 12 inches (305 mm) o.c. along intermediate supports, unless an enhanced nailing pattern is required by local building code.
  - Protect ends and edges of soffit against exposure to the weather.
  - **Do not use 38 Series soffit for open soffit applications.**



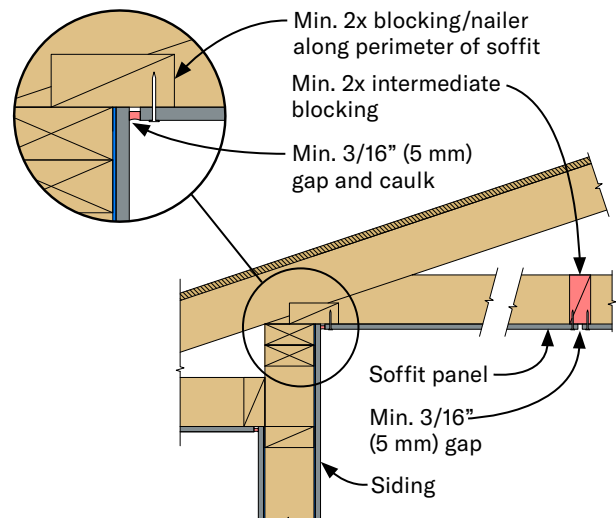
**Figure 4b**



**Open Soffit - Section**  
**Figure 4c**

### PORCH CEILINGS

- Soffit may be used as porch ceilings. ([Figure 4d](#))
  - Install soffit panel with the long dimension or strength axis perpendicular to the ceiling joists, and supported along all four edges by framing or solid 2x blocking.
  - Provide min. 2x intermediate blocking to fasten soffit at panel edges.
  - Provide min. 3/16 inch (5 mm) gap at panel ends and edges.
  - Space nails a max. of every 6 inches (152 mm) o.c. along the perimeter and max. 12 inches (305 mm) o.c. along intermediate blocking.
  - Battens (trim) may be applied over panel seams at ceiling.



**Soffit Panel  
at Porch Ceiling**  
**Figure 4d**

## INSTALLATION (CONT'D.)

### VENTED CUT-TO-WIDTH SOFFIT

- Vented CTW soffit is available in both 5 square inches (3 226 mm) of ventilation per linear foot (Figure 5b), or 10 square inches (6 452 mm) of ventilation per linear foot. (Figure 5a)
- Exhaust ducts shall terminate not less than 3 ft. (914 mm) in any direction from soffit vents. Non-vented soffit may be used to create 3 ft. (914 mm) separation of vents from exhaust duct terminations. Check your local building code for requirements.
- When cutting soffit with a circular saw, orient the prefinished side face down, fully support and brace to reduce vibration.
- Layout and install vented soffit in a manner that eliminates the need to cut through the vents. (Figure 5c)
- The spokes within the vent may distort slightly during equilibration with the local environment. This condition is temporary and the spokes will straighten.
- All CTW soffit vents measure approximately 8 inches (203 mm) x 3.5 inches (89 mm) wide. (Figure 5d)

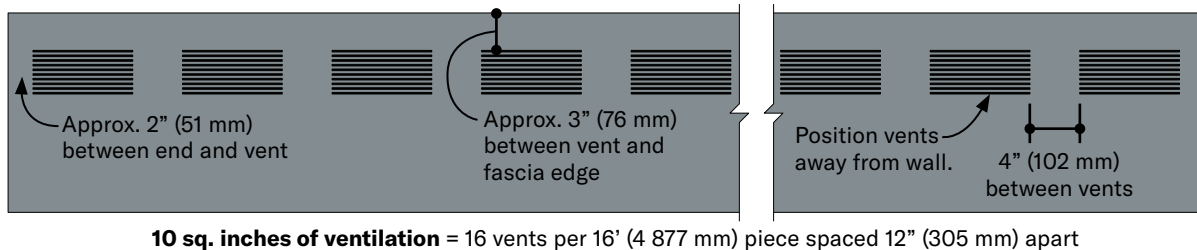


Figure 5a

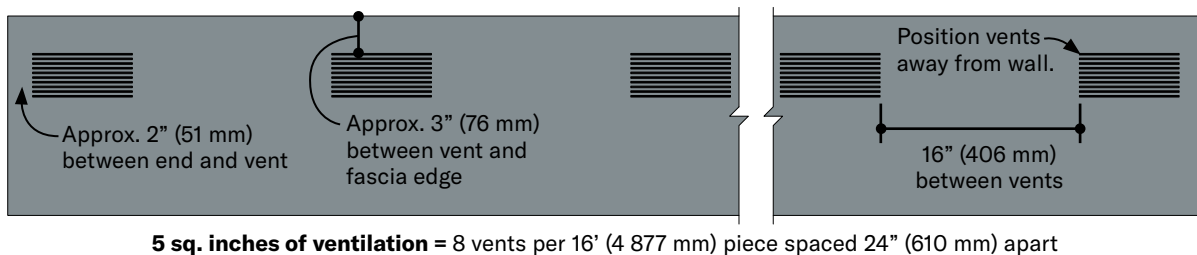
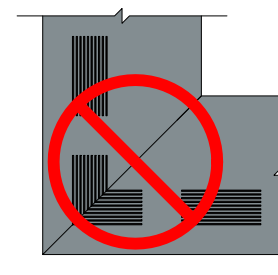
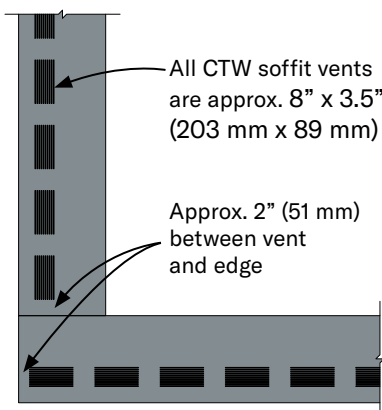


Figure 5b

- **Vented Corner with Square-Cut Ends:** (Figure 5d)  
Run vented CTW soffit to corner, do not cut through vents.  
- Do not make diagonal cuts through the vents. (Figure 5c)
- **Non-Vented Corner with Square-Cut Ends:** (Figure 5e)  
You may use both vented or non-vented soffit or a combination of both in your design.
- **Non-Vented Corner with Diagonal-Cut Ends:** (Figure 5f)  
The diagonal joint must be supported by framing and properly fastened.

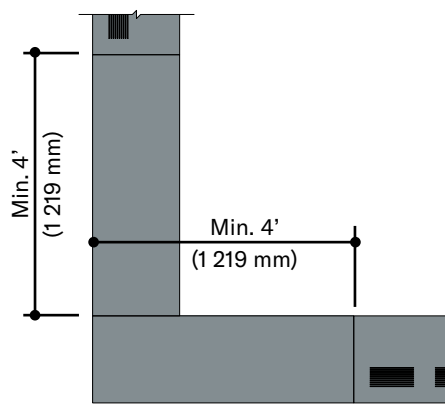


**Do Not Cut Through Vents**  
Figure 5c



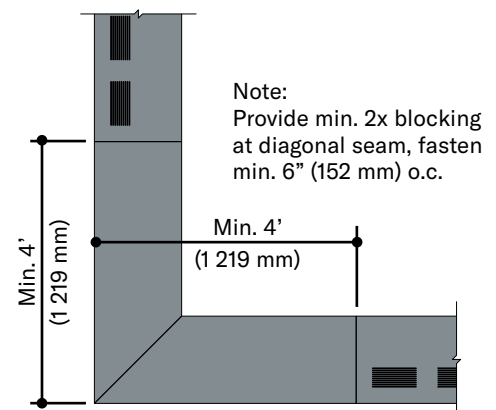
**Vented Soffit at Corner**  
**PREFERRED**

Figure 5d



**Non-Vented Soffit at Corner**  
**PREFERRED**

Figure 5e



**Diagonal-Cut End at Corner**  
**ALTERNATIVE**

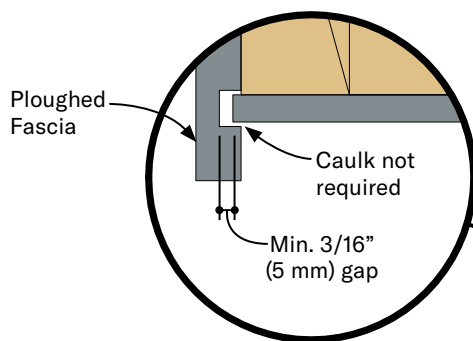
Figure 5f

## FIRE-RATING

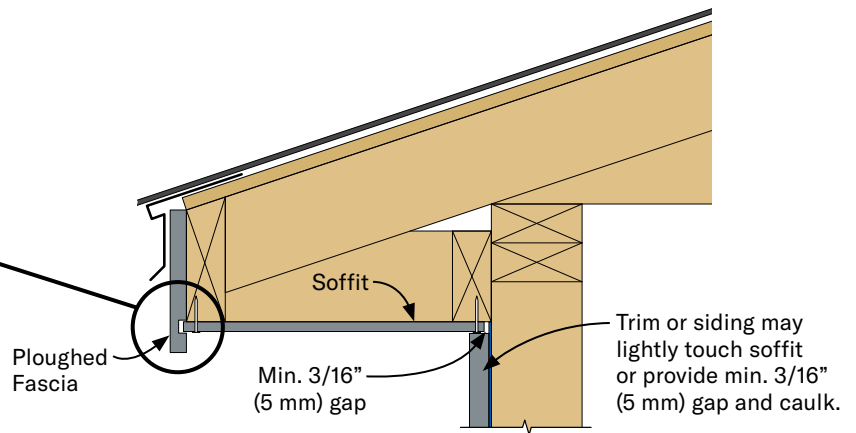
- LP® SmartSide® soffit may be installed over the exterior portion of a 1-hour fire-rated exterior soffit assembly.

## LP® SMARTSIDE® SOFFIT WITH LP® SMARTSIDE® PLOUGHED FASCIA

- LP SmartSide Ploughed Fascia is a trim product where the back side is factory routed out to receive soffit. (Figure 6a, 6b)
- Applying LP SmartSide Soffit with LP SmartSide Ploughed Fascia is designed for closed soffit applications only.
  - The ploughed groove in the fascia receives the outside edge of the soffit.
  - You must still maintain a minimum 3/16 inch (5 mm) space around all other ends and edges of the soffit, and apply caulk.
  - Before installing be sure that the soffit framing is straight, square and level.
  - Fasten ploughed fascia meeting the specifications in the LP SmartSide Trim and Fascia Application Instructions.



**Ploughed Fascia Detail**  
Figure 6a

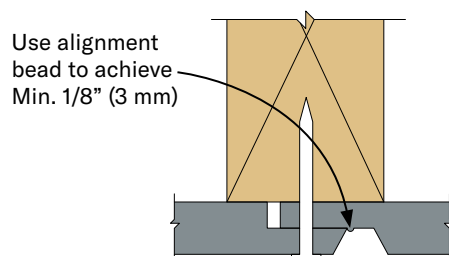


**Ploughed Fascia**  
Figure 6b

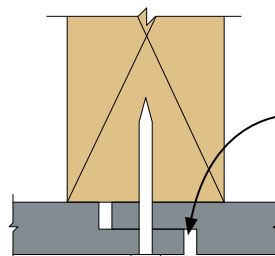
## ALTERNATE - PANEL SIDING AS PORCH CEILINGS

### FASTENING INSTRUCTIONS

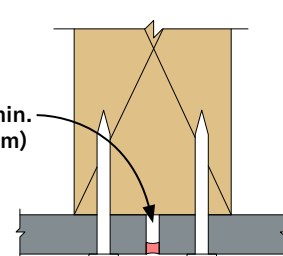
- Penetrate framing a min. of 1-1/2 inches (38 mm).
  - Fasten panel siding using a min. 6 and 12 nailing pattern. This requires one fastener every 6 inches (152 mm) o.c. along the perimeter and 12 inches (305 mm) o.c. in the field.
- A tighter nail pattern of 6 and 6, or a longer nail embedment of 2 inches (51 mm) may be required depending on the wind pressure, wind speed and wind exposure category limitations in [PR-N124](#).
- Panel siding may be applied in porch ceiling applications.
  - Limitation: 190 Series panel siding spanning ceiling joists or trusses spaced a max. 24 inch (610 mm) o.c.
  - Limitation: 38 and 76 Series panel siding spanning ceiling joists or trusses spaced a max. 16 inch (406 mm) o.c.
- Panel siding with alignment bead will help create 1/8 inch (3 mm) gap at butt joint. (Figure 6c)
- Provide min. 1/8" (3 mm) gap at butt joint for panel siding without alignment bead and square edge panel siding. (Figures 6d, 6e)
- Leave min. 3/16 inch (5 mm) gap at all ends and edges. (Figures 2a)



**Shiplap Edge with Alignment Bead**  
Figure 6c



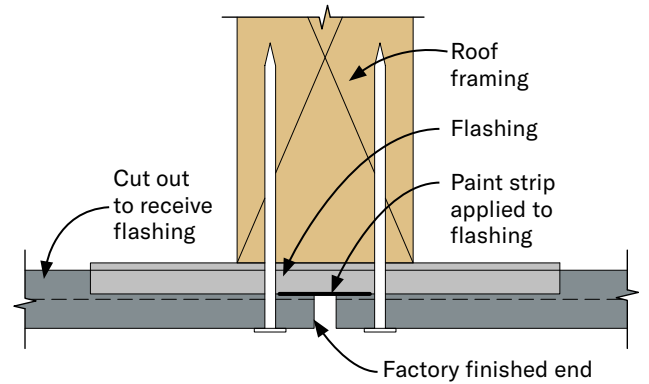
**Shiplap Edge without Alignment Bead**  
Figure 6d



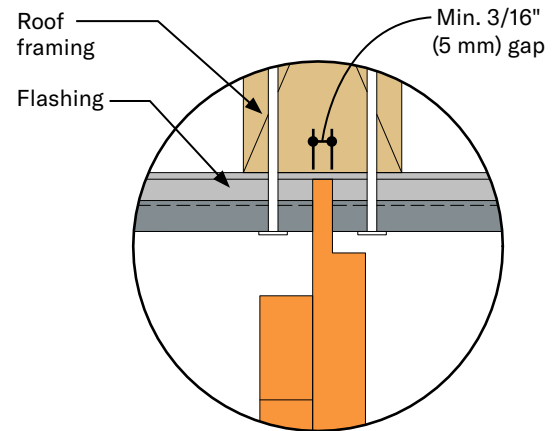
**Square Edge**  
Figure 6e

**GENERAL INFORMATION**

- LP SmartSide Nickel Gap Siding may be used for porch ceilings or soffit.
  - Nickel Gap Siding is not intended for open soffit as roof sheathing.
- Siding has been manufactured to remove a section of the flange located on the back of siding to accommodate flashing at the butt joint. Ensure this feature and factory prefinished ends are maintained on both sides of the butt joint. (Figure 7a)
  - Recommend using LP Nickel Gap metal flashing, field fabricated metal flashing or non-metal flexible flashing sheet at butt joint for aesthetic purposes.
  - Painting flashing helps to create a more consistent finished appearance but is not required. LP recommends applying a min. 1 inch (25 mm) wide strip of matching paint.
- Roof framing shall be a min. 2x member to obtain min. nail embedment.
  - 2x blocking may be required at ends and edges.
- Ends and edges adjacent to walls may lightly touch.
  - Caulk is not required at these locations.
- Ripping Nickel Gap siding lengthwise may be required when installing siding as porch ceiling or soffit.
- Gap siding a min. of 3/16 inch (5 mm) at butt joints.
- Butt joints must occur over min. 2x wood framing members.
- Spacing tools may be used to obtain 3/16 inch (5 mm) gap at butt joints. (Figure 7c)
  - SIMPLESIDER® siding gauge, or rafter square.
- The following tools may be used to work the siding into place to achieve a min. 1/16 inch (2 mm) to a max. 1/8 inch (3 mm) gap parallel to 16 foot (406 mm) length of the siding.
  - A pull bar typically used to install wood flooring, or
  - Create blocking tool by cutting a section of Nickel Gap siding to assist with firmly tapping siding into place, or
  - 2x wood stud, approx. 16 inches (406 mm) long to assist with firmly tapping siding into place.
- Siding nail requirements:
  - Install siding blind-nailed, place nail in fastener groove. (Figure 7d)
  - Use a min. 0.092 inch shank diameter, hot-dip galvanized (ASTM A153, Class D) or equivalent.
    - o A larger 0.113 inch shank diameter nail may be required depending on limitations in PR-N117.
  - Fasten siding perpendicular to framing members spaced a max. 24 inches (610 mm) o.c.
    - o Refer to Table 3 in PR-N117 for nail length requirements.
    - o Refer to Table 3 in PR-N117 for shi lap edge nailing versus intermediate nailing requirements.
  - Nail head must be snug with flange, so it does not interfere with siding placement or flashing.

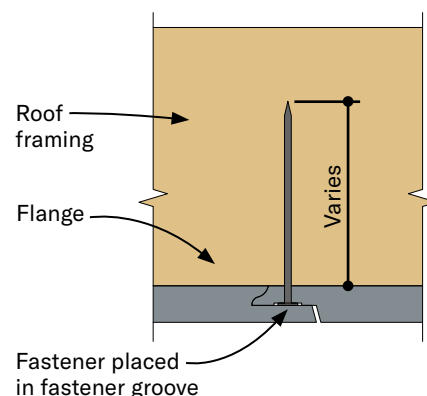


**Butt Joint at Ceiling  
Figure 7a**



Use SIMPLESIDER® siding gauge or rafter square as spacing tool to achieve min. 3/16" (5 mm) gap

**Spacing Tool at Butt Joint  
Figure 7c**

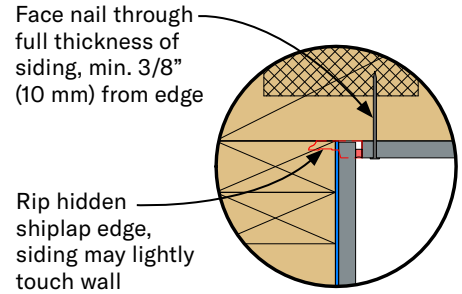


**Fastener Groove  
Figure 7d**

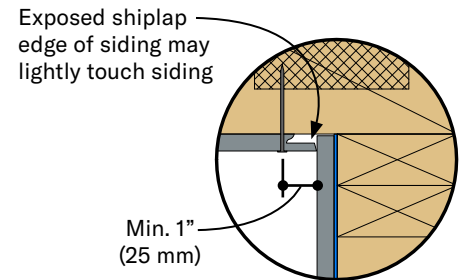
## ALTERNATE - LP® SMARTSIDE® NICKEL GAP SIDING AS PORCH CEILING AND SOFFIT (CONT'D.)

### PORCH CEILING INSTALLATION

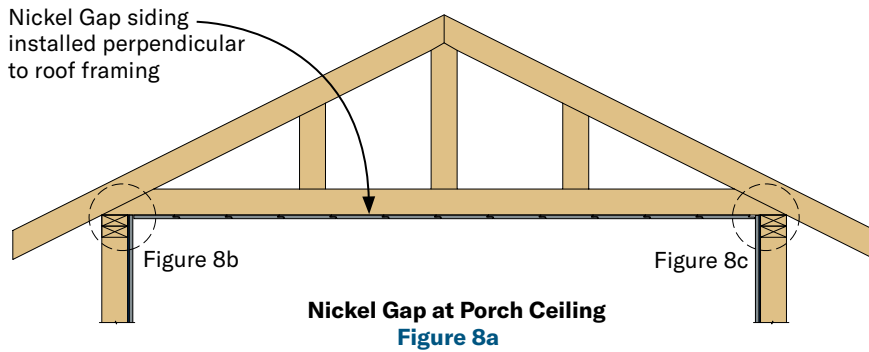
- Begin by installing Nickel Gap per [Figure 8c](#) working to the opposite end as shown in [Figure 8b](#).
- Rip hidden shiplap edge (with fastener groove) when siding is adjacent to wall. ([Figure 8b](#))
  - Ripped edge may lightly touch wall, or provide a min. 3/16 inch (5 mm) gap.
  - Face nail through full thickness a min. 3/8" (10 mm) from edge.
- Exposed shiplap edge may be installed adjacent to siding. ([Figure 8c](#))
  - Nail through full thickness a min. 1 inch (25 mm) from edge of siding.
  - Shiplap edge may lightly touch siding, or provide a min. 3/16 inch (5 mm) gap and caulk, backer rod may be necessary.



**Hidden Shiplap Edge Detail  
Figure 8b**



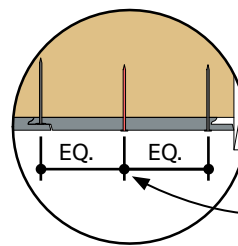
**Exposed Shiplap Edge Detail  
Figure 8c**



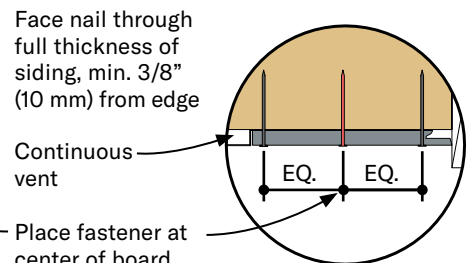
**Nickel Gap at Porch Ceiling  
Figure 8a**

### SOFFIT INSTALLATION

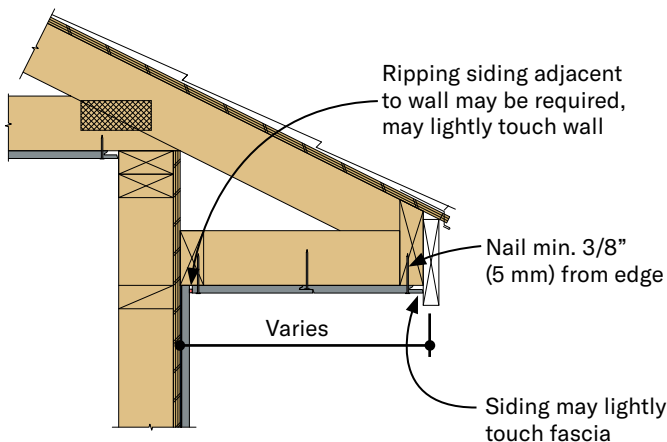
- Intermediate nailing may be required depending on the wind pressure, wind speed and wind exposure category limitations in Table 3 in [PR-N117](#). ([Figures 8d, 8e](#))
- Nickel Gap may be installed as soffit. ([Figures 8f, 8g](#))
  - Rip shiplap edge of siding pieces adjacent to wall, siding or fascia.
- Siding may be installed in conjunction with a continuous soffit vent. ([Figure 8g](#))
  - Rip shiplap edge of siding pieces adjacent to vent.
- Paint ripped edges:
  - Edges may lightly touch at these locations, or
  - Provide a min. 3/16 inch (5 mm) gap.



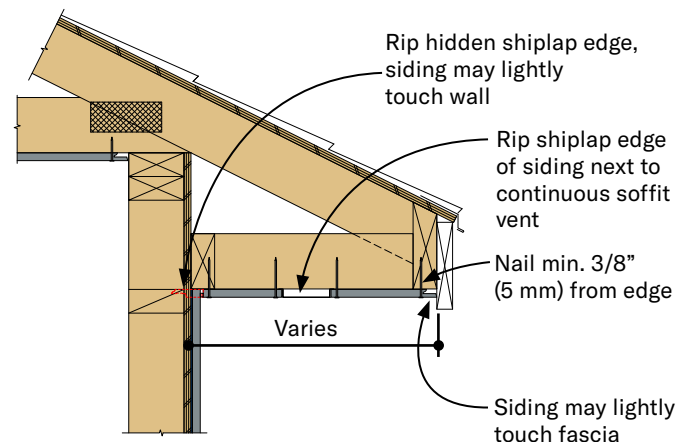
**Non-Vented Soffit  
Intermediate Nail Option  
Figure 8d**



**Continuous Vented Soffit  
Intermediate Nail Option  
Figure 8e**



**Non-Vented Soffit  
Figure 8f**



**Continuous Vented Soffit  
Figure 8g**



## ALTERNATE FASTENING OPTION- STAPLES IN OPEN SOFFIT APPLICATIONS

- Using staples to fasten 76 Series or 190 Series soffit is limited to open soffit applications when used as roof sheathing.
  - Refer to [page 4](#) for open soffit application guidelines.
- Requirements for attaching soffit to roof framing are governed by local building code.
  - Soffit panel must be APA Trademark stamped RS-CD.
  - Refer to Table R602.3(2) – Alternate Attachments to Table R602.3(1) found in the International Residential Code.
  - 76 Series: use a min. 16 gauge staple, with a 7/16 inch (11 mm) crown, and a 1-3/4 inch (45 mm) leg
    - Space fastener a max. 3 inches (76 mm) o.c. at panel ends and 6 inches (152 mm) o.c. at intermediate supports.
  - 190 Series: use a min. 16 gauge staple, with a 7/16 inch (11 mm) crown, and a 2 inch (51 mm) leg
    - Space fastener a max. 4 inches (102 mm) o.c. at panel ends and 8 inches (203 mm) o.c. at intermediate supports.

## FINISHING INSTRUCTIONS

- When caulk is required, use a high-quality, non-hardening, paintable sealant meeting ASTM C920, min. Class 25.
  - Follow sealant manufacturer's instructions for application.
- Touch up all cut and exposed surfaces. For best results, use a high-quality 100% acrylic exterior paint specially formulated for use on wood and engineered wood substrates; oil paint is acceptable.
  - DO NOT USE stain or vinyl-based paint.
  - Apply paint as soon as possible or within 180 days.
  - Follow paint manufacturer's instructions for application.
  - Follow LP's Care & Maintenance Instructions.
- Touch up any damage to finish that may occur during application
- Apply touch up paint to cover scratches less than 1 inch (25 mm) in length and less than 1/16 inch (2 mm) wide, exposed nail heads and small nicks.
- Do not apply touch up paint to spots greater than 3/4 inch (19 mm) in diameter.
- Touch up paint should be used sparingly.
  - Apply touch up paint only when air, siding and paint temperature will remain above 50 F until the paint is dried.
  - Store touch up paint between 40°F and 100°F.
  - Shake touch up paint for 90 seconds before every use.
  - Do not use touch up paint if you suspect it has frozen.
  - Do not apply touch up paint to wet siding.
  - Avoid touch up painting when condensation likely to form.
  - Avoid touch up painting when precipitation is possible.
- The touch up paint is air dried, while the factory applied coating is cured using ovens. For this reason, the touch up paint will have some minor differences initially and after time. Minimizing the use of touch up paint is the best approach to help ensure these minor differences are less noticeable.
- Use the appropriate applicator provided in the LP® SmartSide® ExpertFinish® Touch-Up Kit.
  - Nail Head Paint Applicator ([Figure 9a](#))
  - Cut End Paint Applicator ([Figure 9b](#))
- For additional touch-up paint, please call 888-820-0325.

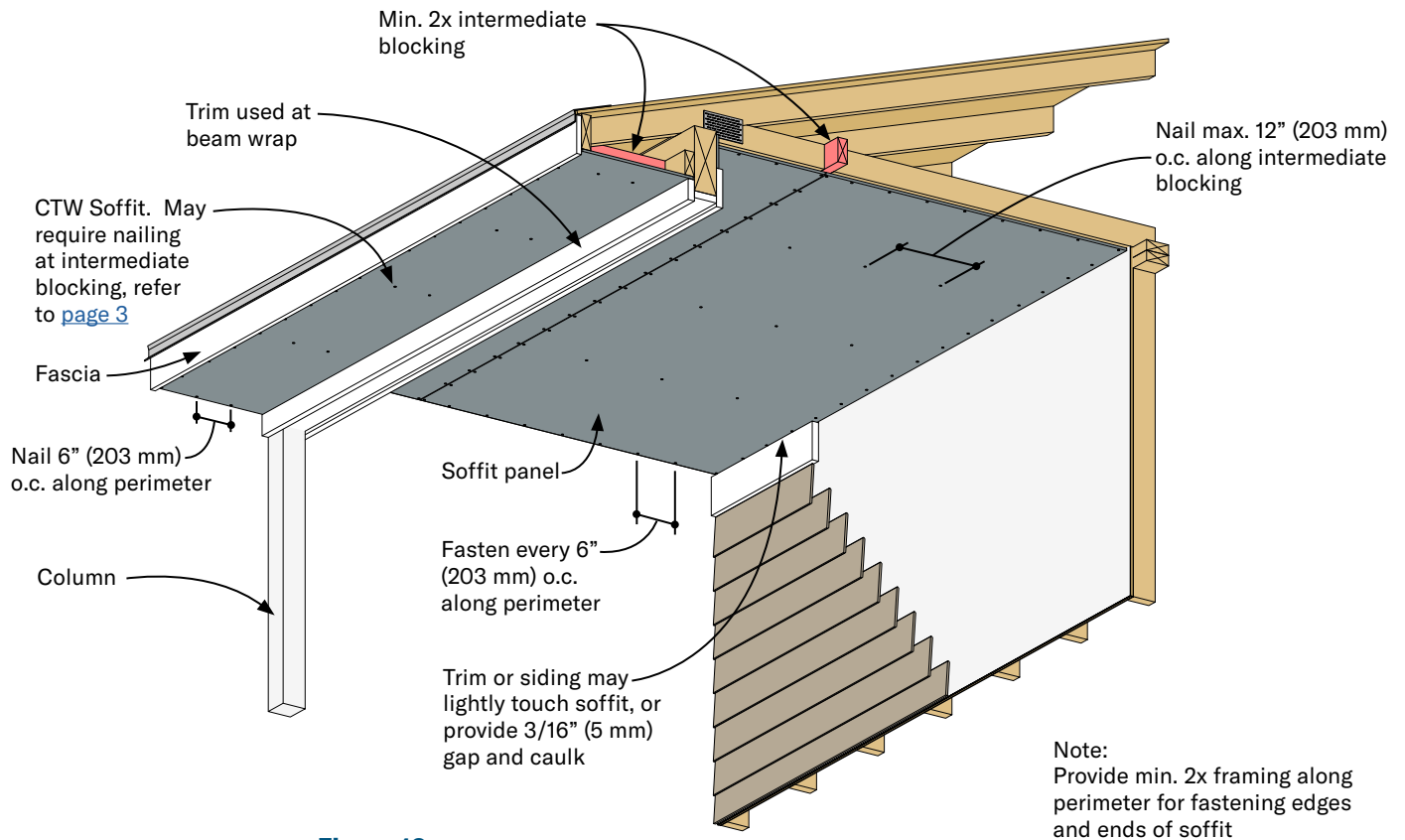


Figure 9a



Figure 9b

## DETAILS - SOFFIT AND PORCH CEILING APPLICATIONS



**Figure 10a**

# LP® SmartSide® Soffit

## Application Tips

**IMPORTANT** Always refer to the complete application instructions for the product you are installing. The application tips provided below are not intended to replace such instructions. Application instructions can be found at [LPCorp.com](http://LPCorp.com). Failure to follow the full application instructions could cause personal injury or property damage, affect system performance, void any applicable warranty and/or violate applicable building codes.

Exercise safe practices at all times while handling and using this product. Refer to the relevant Safety Data Sheet (SDS) for important information on the safe handling and use of this product. These can be found at [LPCorp.com](http://LPCorp.com).

Refer to Tables 1, 2 or 3 in [PR-N117](#) for nail spacing and penetration into framing.

- If soffit panel is used as porch ceiling a min. of 1-1/2 inches (38 mm) is required. A longer nail embedment of 2 inches (51 mm) may be required depending on the wind pressure, wind speed and wind exposure category limitations in [PR-N124](#).

Nail size:

- 38 Series soffit or LP® SmartSide® Nickel Gap siding installed as porch ceiling or soffit – use a min. 0.092” shank diameter hot-dip galvanized (ASTM A153) nail; a larger nail shank diameter and length may be required depending on the wind pressure, wind speed and wind exposure category limitations in PR-N117.
- 76 & 190 Series – use a min. 0.113” shank diameter hot-dip galvanized (ASTM A153) smooth shank nail; a larger nail shank diameter and length may be required depending on the wind pressure, wind speed and wind exposure category limitations in PR-N117.

Nail placement – 3/8” (10 mm) from ends and edges

Nail spacing:

- See application instructions for cut-to-width and panel soffit nail spacing guidelines

Ripping – not recommended as it will leave the edge unprotected:

- If soffit is ripped, rip 3/8” (10 mm) less than full width so you can leave a 3/16” (5 mm) space on each side
- Special care must be taken to seal all exposed wood fiber
- Sealing can be accomplished by applying paint or caulk

Do not overdrive nails – nail head should seat snug to the face of soffit, if overdriven apply caulk and paint

Caulk – use a high-quality, non-hardening, paintable exterior sealant meeting ASTM C920, min. Class 25

Seal all exposed substrate – sealing can be accomplished by applying a paint or caulk

Space all end and edge joints 3/16” (5 mm) and apply caulk

- Exception - If using soffit panel as roof sheathing 1/8” (3 mm) spacing allowed.

Soffit products are not designed for and are not suitable for use as siding.

- Exception - Soffit panel APA Trademark stamped as **CUSTOM PRODUCTS - SOFFITS** and **RATED SIDING - SHEATHING** can be used as both siding and soffit. Refer to the product catalog for more information

76 or 190 Series soffit panels bearing RS-CD trademark stamp may be used in open soffit applications

Soffit must not be in direct contact with CMU, brick, cultured stone, stucco, mortar, etc.

- Provide a min. 3/8” (10 mm) gap, backer rod and caulk

Vented soffit – do not cut through vents

Exhaust ducts shall terminate not less than 3’ (914 mm) in any direction from soffit vents

Vented cut-to-width soffit – is available with 5 sq. in. (3 226 mm) or 10 sq. in. (6 452 mm) of ventilation per linear foot

Trim or siding may lightly touch soffit, or provide min. 3/16” (5 mm) gap and caulk

For Limitations of Use – see Application Instructions

See Application Instructions for Storage and Handling guidelines