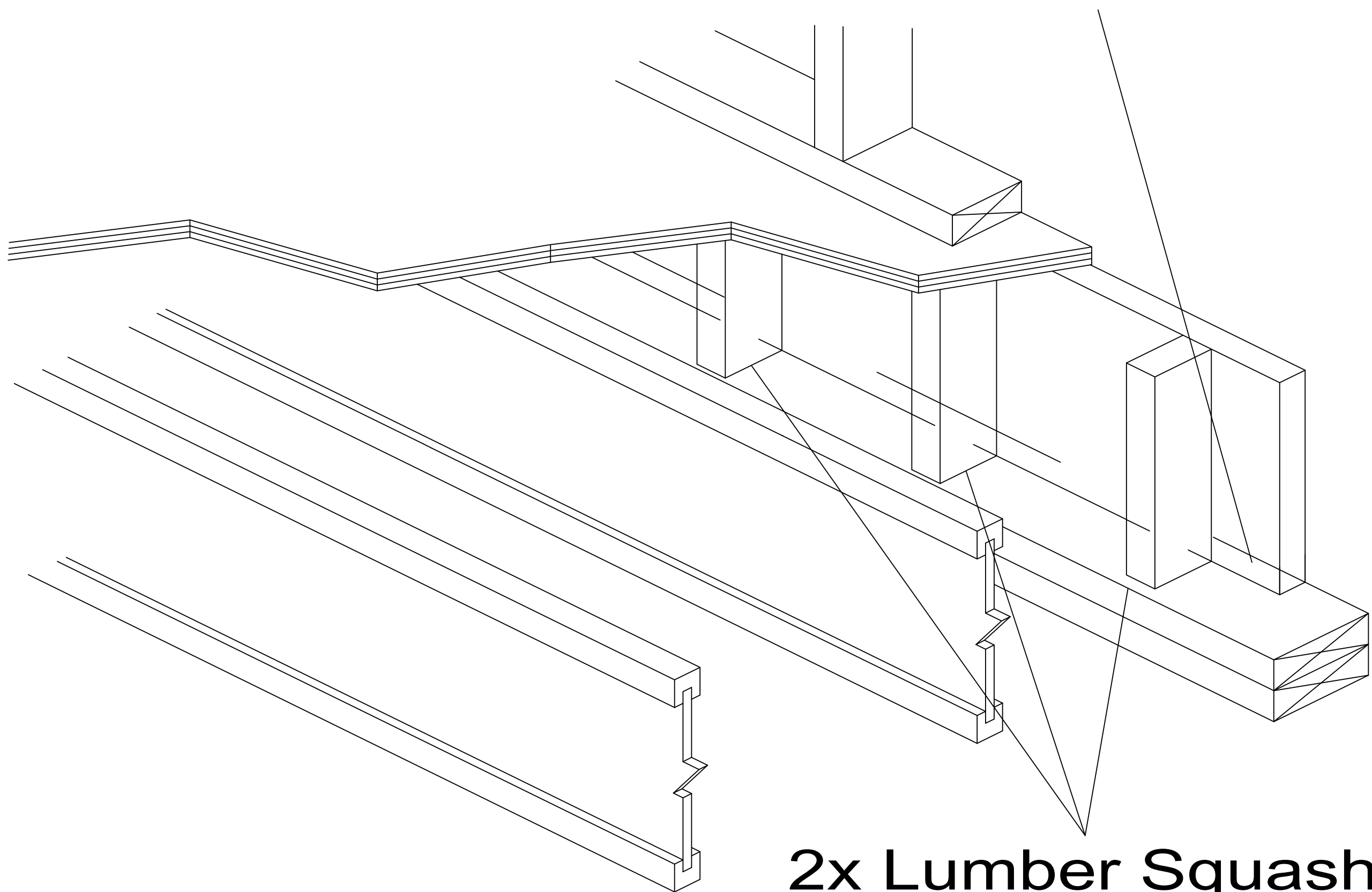


A7s

SOLID RIM AS STARTER JOIST w/ Squash Blocks

**8d nails at 6" o.c. toe-nailed
from outside of building.**

(when used for shear transfer nail to
bearing plate with same nailing schedule as decking)



**2x Lumber Squash
Blocks at 24" oc max.**