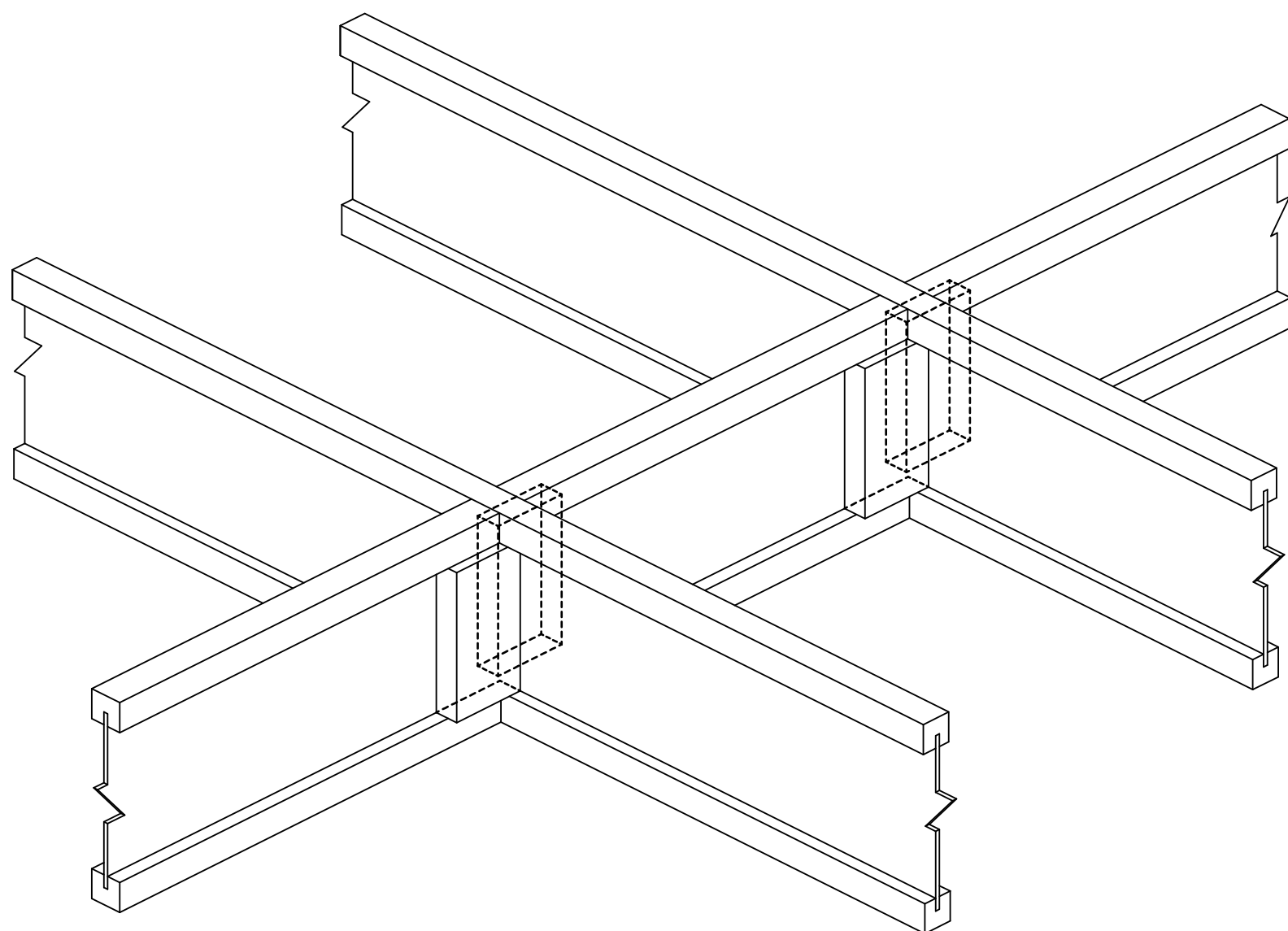


B8

# Mid-Span Blocking (Key-Block)



2x4 Nailer Blocks, Staggered, Cut to Fit Between Flanges with 1/8" Clearance from Flange. Glue and Nail with (3) 10d nails through the Web into the Block, clinch.

