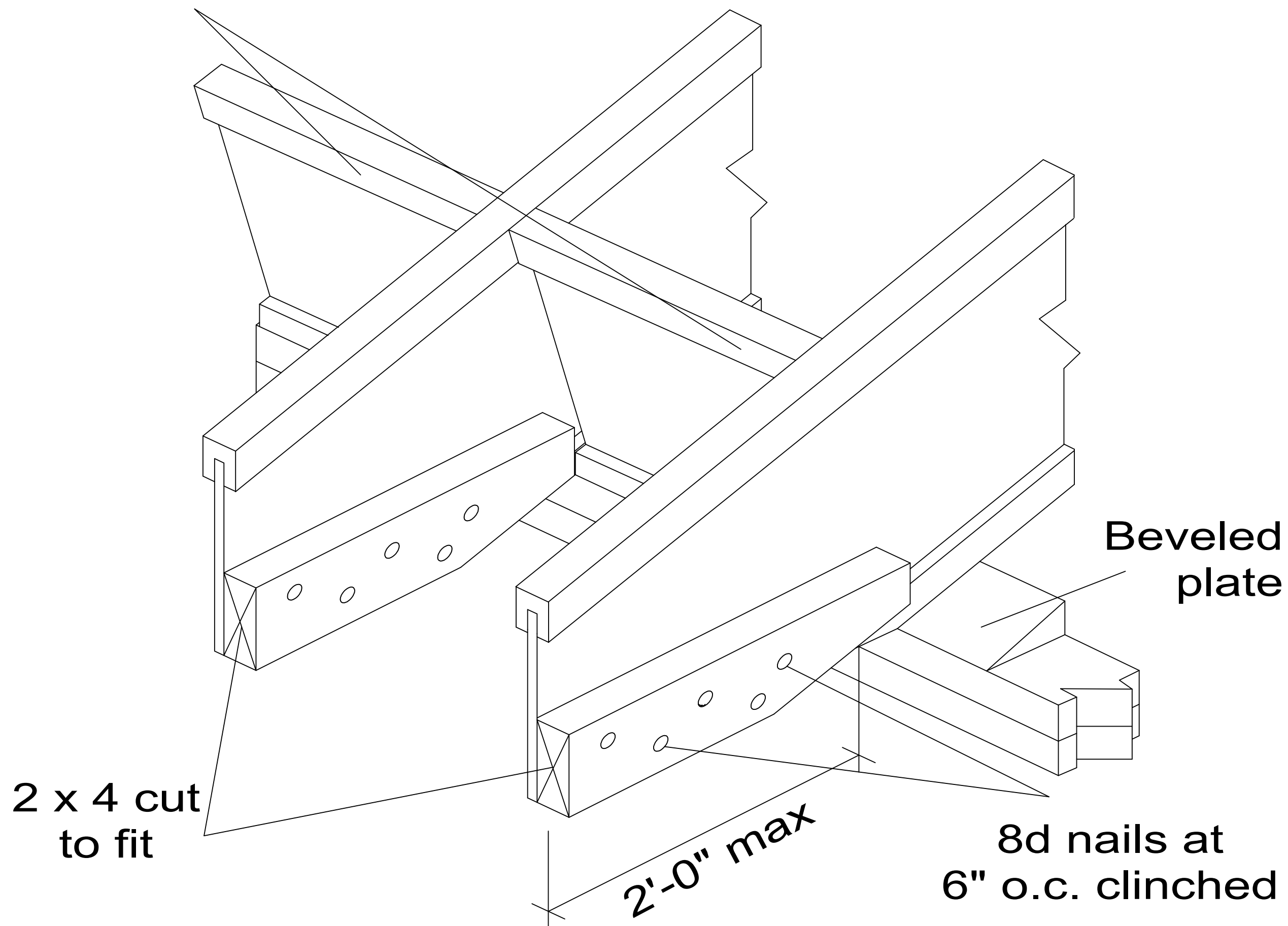


H3

BEVELED PLATE w/ FLAT SOFFIT (Fasia Support)

LPI Blocking*



* Lateral resistance shall be provided. Other methods of restraint, such as full depth LP® SolidStart® OSB Rim, LSL, or LVL may be substituted for the LPI blocking shown.