

# Technical Note No. 068

## LP BuilderSeries® Siding Installed over Furring without WRB on Concrete or Masonry Walls



This Technical Note is an addendum to the [LP BuilderSeries® Lap Siding](#) Application Instructions (“Instructions”). It is intended to provide an alternative fastening option for lap siding over furring strips without a water-resistive barrier (WRB) on concrete or masonry walls. The Instructions remain effective except as may be modified by this Note. Refer to the Application Instructions for all other aspects of product installation.

### Lap siding attached to furring strips:

- Siding must be installed over a min. 3/4" x 3-1/2" (19 mm by 89 mm) actual size, preservative-treated furring, spaced no more than 16" o.c. (400 mm).
- Minimum Fastener Type:
  - Corrosion Resistant = hot-dip galvanized (ASTM A153, Class D) or equivalent; capable of preventing rust, stain and deterioration under normal outdoor environmental conditions for a period of no less than 50 years.
  - **Ring Shank**
  - Min. 0.120 inch shank diameter
  - Length = fastener shall fully penetrate a min. 1/2 inch (13 mm) into nailable furring. **Caution:** fastener shall not bottom out on concrete or masonry wall leaving the fastener head less than flush with the face of trim or siding. (Figures 1)

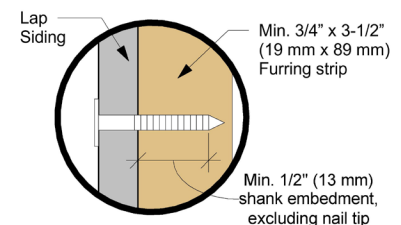


Figure 1

- The IRC and Florida Building Code, Residential require a WRB be used behind the exterior cladding, except over concrete or masonry walls per Exception 1 in Section R703.1.1.
- Current building science practices recommend ventilation at top & bottom of wall.
  - Openings at the top and the bottom of the wall should be open to the outside air and protected with insect screen. (Figures 5 & 7)
  - Check with local building codes for additional requirements.
- Siding shall be installed to safely resist all loads, including wind loads, of the locally adopted building codes. The installation of siding shall result in a system that provides a load path that meets the requirements for the transfer of loads from the point of origin through the load-resisting elements to the structure. The mechanical connection of the furring strips to structure is the responsibility of a design professional. LP assumes no liability for any loss or damage caused by the design of the mechanical connection of the furring strips to the structure and is expressly released by the purchaser or owner from any such loss or liability. For complete warranty details visit [LPCorp.com/Literature](http://LPCorp.com/Literature).

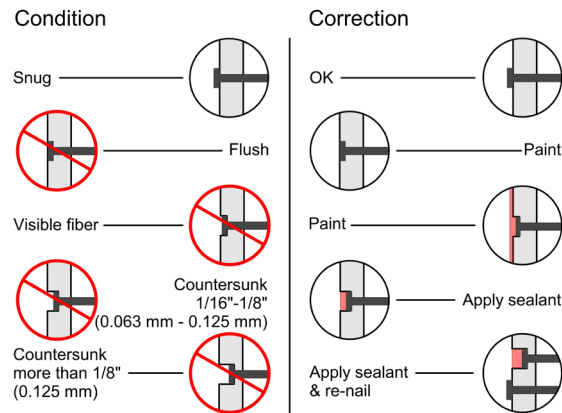
**Limitations of Use:**

- For use on concrete or masonry walls.
- Attaching lap siding to furring strips per **Fastener placement** section.

**Nail Condition and Correction Guidelines:**

**LP BuilderSeries® Lap Siding (Primed)**

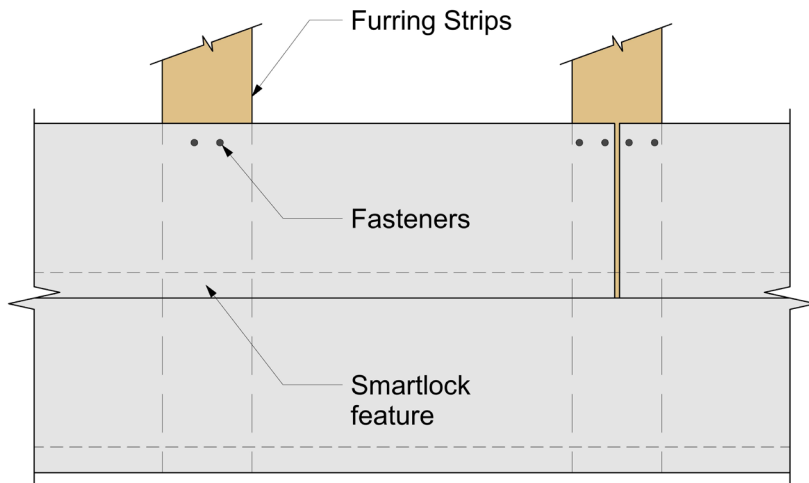
- Caulk exposed nail heads where recommended. (Figure 2)
- Do not overdrive nails.
  - Nail head should seat snug to face of cladding, but not be flush to distort the siding surface. (Figure 2)



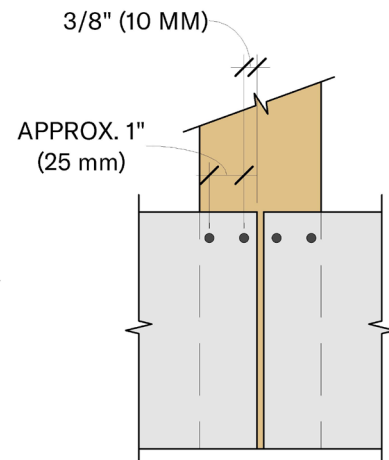
**Figure 2**

**Fastener placement:**

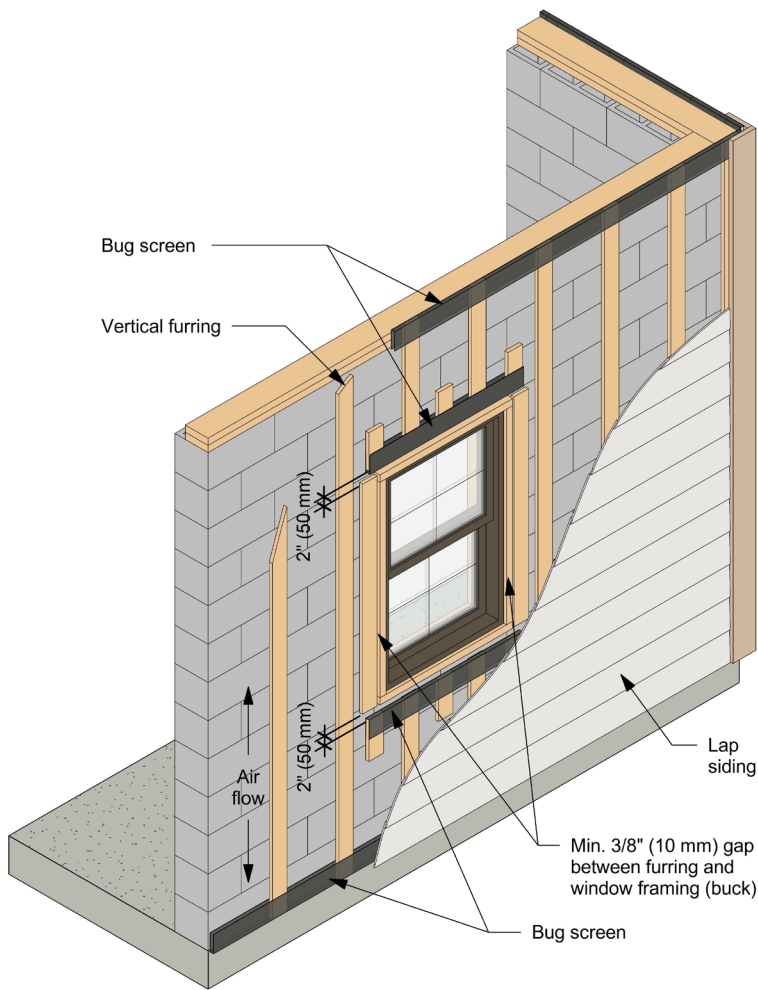
- Nails spaced 3/4" (19 mm) from top edge and 3/8" (10 mm) from ends of lap.
- Blind nail two fasteners per furring strip every 16" o.c. (400 mm).
  - Space fasteners a min. 1" (25 mm) apart.
- Four nails required at butt joint. (Figure 4)



**Figure 3**

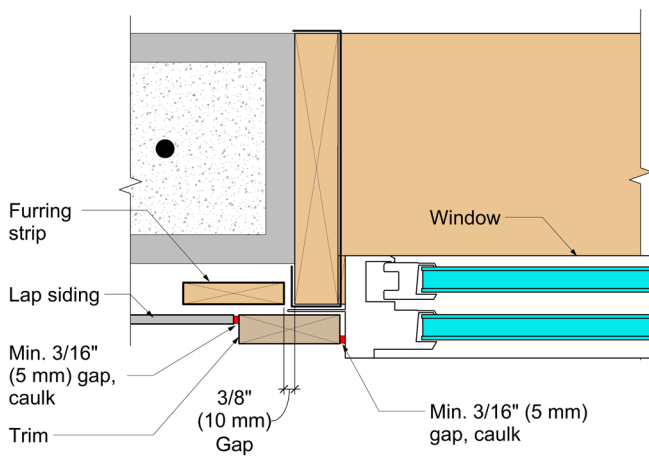


**Figure 4**

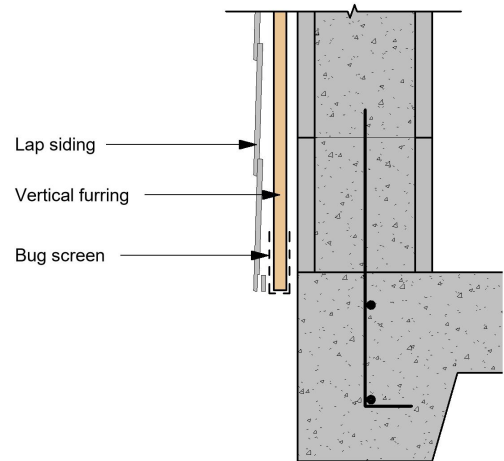
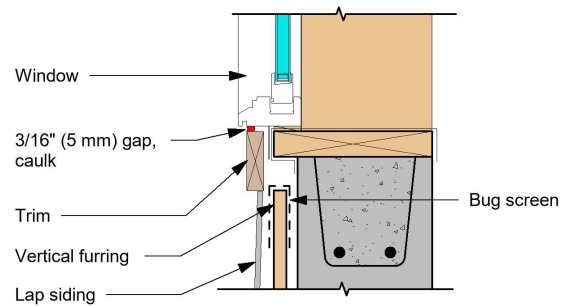
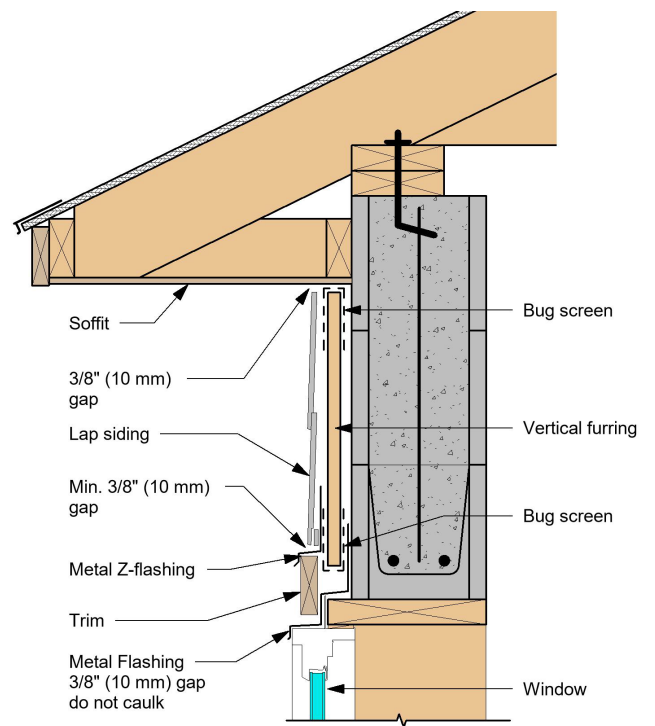


**Figure 5**

**Enlarged window jamb detail**



**Figure 6**



**Figure 7**

## Enlarged window header and sill details

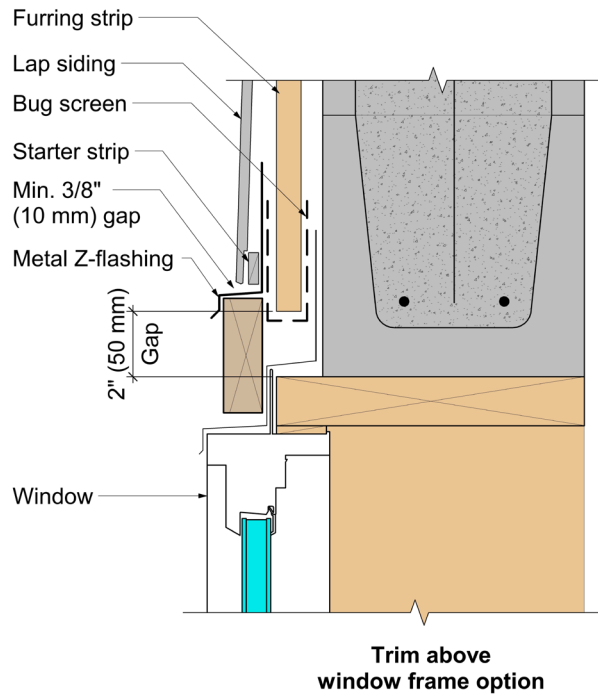


Figure 8

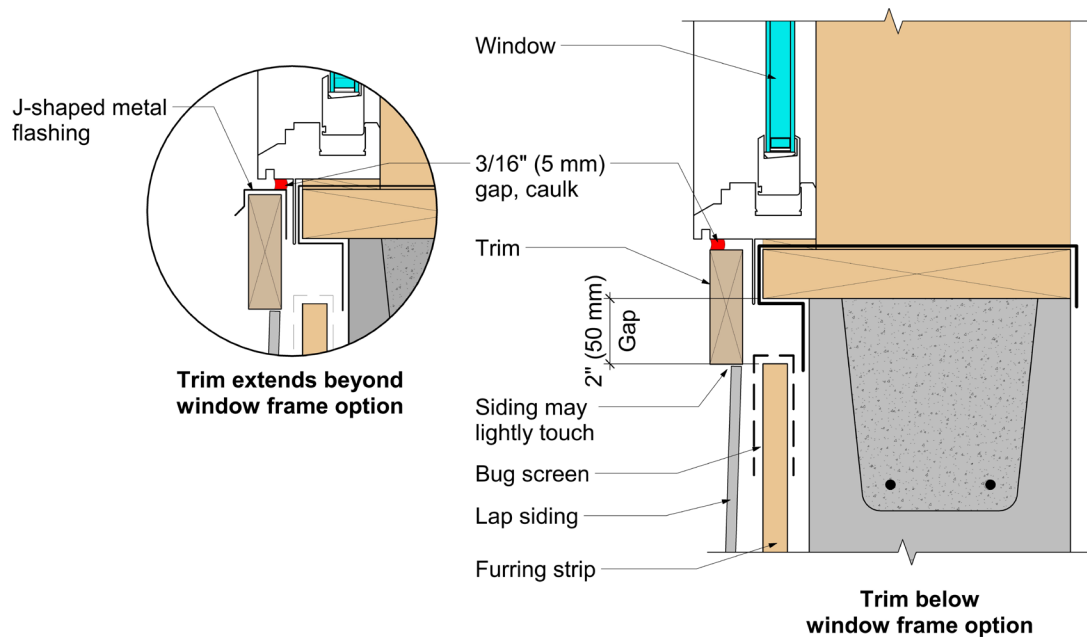


Figure 9

Date Created: 08-23-24

Last Revision:

All graphics are for illustrative purposes only.

©2024 Louisiana-Pacific Corporation. All rights reserved. All trademarks are owned by Louisiana-Pacific Corporation.

ADDRESS 1610 West End Ave.  
Suite 200

Nashville, TN

TEL 888-820-0325

WEB [lpcorp.com](http://lpcorp.com)