

SMART HOME MONITORING



Virtual Curtain

Manufacturer's Installation Guide

Description

The Virtual Curtain motion sensor is the smallest and most elegant wireless curtain pattern PIR (Pet Infrared) detector for indoor use and designed for easy installation.



Locations to avoid mounting

Do not mount the Virtual Curtain:

- › On a surface exposed to moisture.
- › Where it can be exposed to false trigger sources, such as: Direct sunlight or heat sources (heaters, radiators) in the field of view
- › Strong air drafts (fans, air conditioners, etc.)
- › Where the ambient temperature is below 0° F (-18°C) or above 122°F (50°C).
- › Where it is aimed at windows or glass doors.

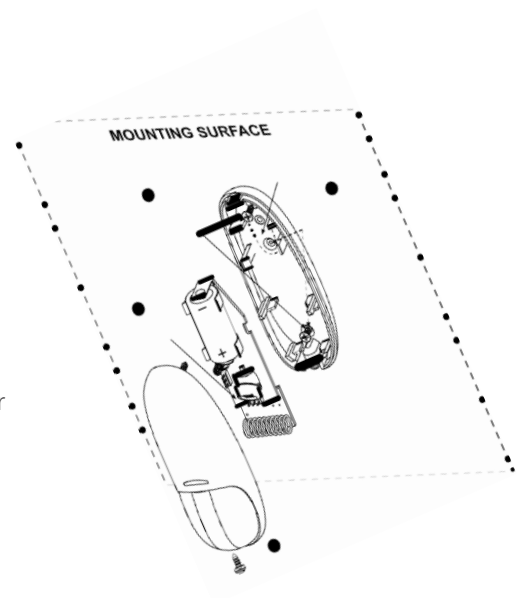
Recommended mounting locations:

- › The Virtual Curtain motion sensor can be mounted on a wall or in a corner
- › The Virtual Curtain motion sensor must have a clear line of sight over the entire area to be protected.
- › When mounting the sensor in a corner, the wide-angle lens is recommended.
- › Do not mount the sensor where it will be exposed to direct sunlight, heating or cooling sources or high humidity areas

Installation:

Positions of mounting the sensor

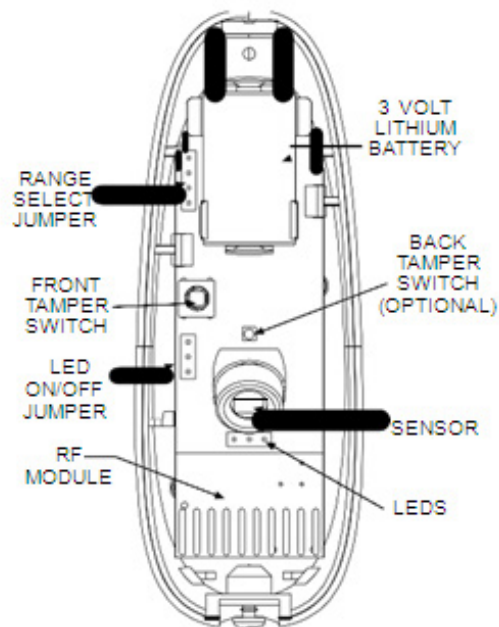
- › Drill two holes in the mounting surface and secure base with two screws
- › Position the circuit board in its place in the base
- › Insert screw to secure cover with base
- › Wait for the Virtual Curtain motion sensor to stabilize (the LED stops flashing approximately 2 minutes after the cover is closed)



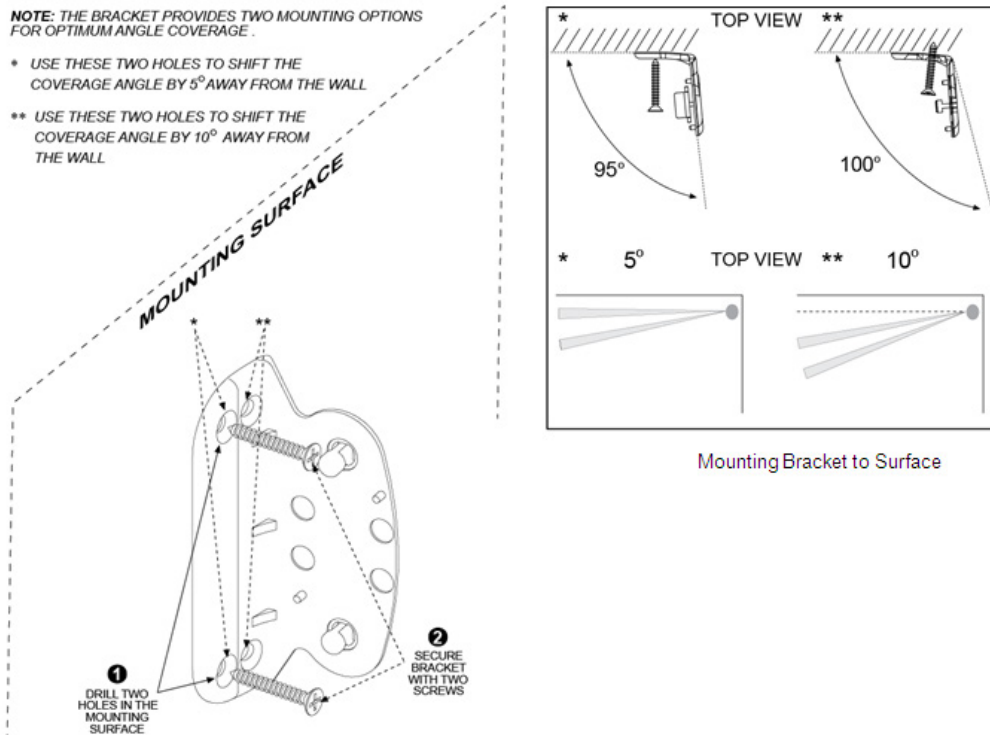
Regular mounting



1. After mounting, be sure that no gaps remain in the detector housing. For example, in the area around the screw holes.
2. Remove the battery using your fingers, and not with a screwdriver.



Bracket mounting



Walk Testing

- › Walk slowly across the Virtual Curtain motion sensor's beam. The LED indicator lights for approx. 3 seconds whenever you enter or exit a curtain beam.

Important:

Perform walk test at least once a week to assure proper function of the Virtual Curtain motions sensor



After closing the cover the Virtual Curtain motion sensor enters a 15 minute walk-test mode. In this mode the LED will flash each time detection occurs.