

SMART HOME MONITORING



Motion Sensor

Manufacturer's Installation Guide

Mounting

Height: 1.8-2.4m. For pet rejection, the optimal height is 2.1m.

Installation Options: Surface or Corner

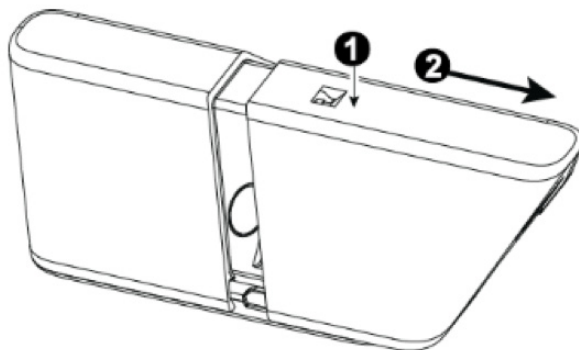
General Guidance:

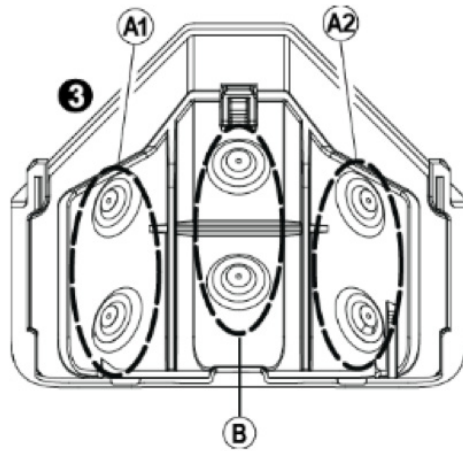
1. Keep away from heat sources.
2. Do not expose to air drafts.
3. Do not install outdoors.
4. Avoid direct sunshine.
5. Do not install near high-voltage electrical lines.
6. Do not install behind partitions.
7. Mount on solid stable surface.

Installation Procedure:

Note: Pairing should be performed before installation.

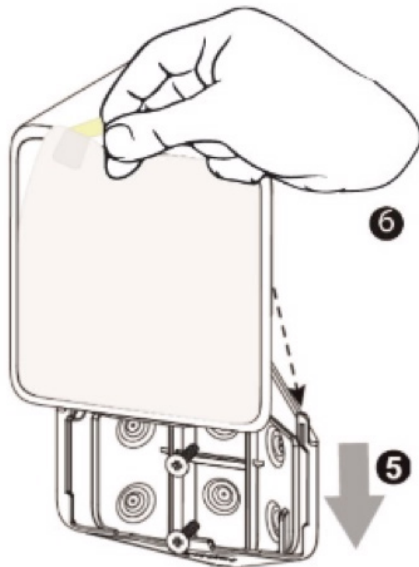
1. Press in this point.
2. Push in the direction of the arrow shown in the drawing to separate the detector from the bracket.





3. Mount the bracket on the wall.

- Use **A1** or **A2** for corner mounting.
- Use **B** for surface mounting.



4. Mount the detector on the bracket by sliding it downward until a click is heard.

5. Keep the protective film on the unit until after the unit is mounted in its final location. Then remove it.