

SMART HOME MONITORING



Motion Sensor

Manufacturer's Installation Guide

This Motion Sensor provides excellent motion detection with 2 levels of selectable pet immunity. This guide has all the information to get your Motion Sensor installed correctly in your home.

① Product Information

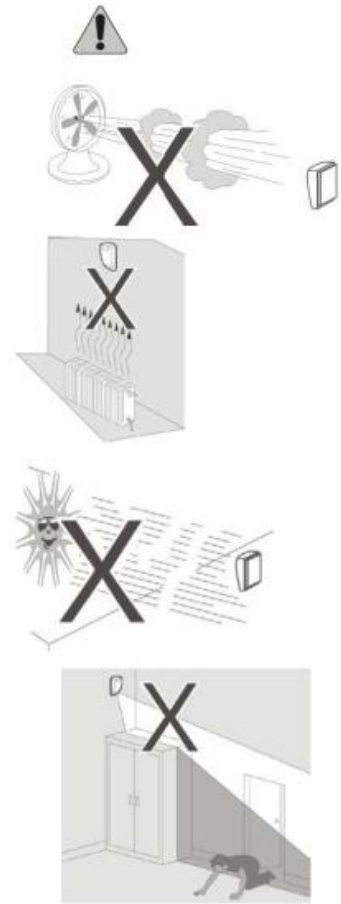
This Motion Sensor complies with UL639 and is suitable for indoor use in residential environments. The SMCMT10-Z is quick to install and comes with a stylish low-profile design. It provides detection for a variety of ranges, including up to 360 degrees of coverage for ceiling mount applications, flexible install heights and optional mounting bracket. It even has an option setting for smart pet immunity up to 100 lbs / 45 kgs.

② Finding a Suitable Location

The technology used in the Motion Sensor resists false alarm hazards. However, avoid potential causes of instability such as:

- › Direct sunlight on the Motion Sensor.
- › Heat sources within the Motion Sensor field of view.
- › Strong drafts onto the Motion Sensor.
- › Large animals (greater than 100lbs) within the Motion Sensor's field of view
- › Obscuring the detector field of view with large objects, such as furniture.

The Motion Sensor is not suitable for outdoor use.

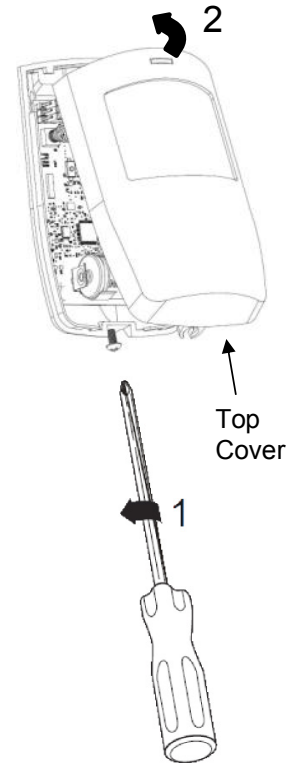


③ Mounting the Sensor

To mount the Motion Sensor:

- A. Unscrew the base screw on the Motion Sensor until loose. The screw can be retained in the product to secure cover when complete with installation.
- B. Lift detector cover out from the base and off the lugs at the top.
- C. Loosen the printed circuit board (PCB) lock screw and remove the electronic assembly to gain access to the case mounting holes. Use the battery terminals as a hand hold in removing the electronics.
- D. Find the base on the wall between 4.1 and 10 ft (1.5 - 3.1 m) from the floor. Recommended height is 2 m / 6' 7".
 - › For flat wall mounting use a minimum of 2 screws in positions A.
 - › For corner mounting use screws in positions B and/or C.

Drill holes in the base of the provided screw locator.



To complete the installation:

- A. Select the desired jumper settings. See “Setup and Jumper Selection” below.
- B. Add masking labels if required (see next section for an example).
- C. Replace the cover and tighten the screw in the base.



Be sure the battery is inserted properly and/or the battery pull tab is removed to activate the Motion Sensor. See the Installing / Replacing Batteries section for more information

④ Setup and Jumper Selection

The Motion Sensor has two mechanical adjustments and three jumper switches. After selecting a mounting location, optimize the Motion Sensor.

Mechanical Adjustments - Mounting Height

- A. On the left side below the tamper spring, find the PCB legend for mounting height adjustment.
- B. Loosen the PCB mounting screw by turning counterclockwise so the PCB may slide up and down.
- C. Use the plastic pointer, locate your mounting height and tighten the PCB screw. Selecting the proper height maximizes the sensors range and viewing area.

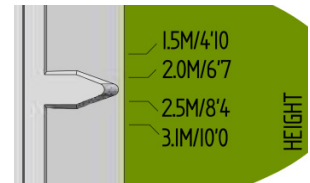


Figure 3.

Mechanical Adjustment 2 - Viewing Range

This adjustment limits the Motion Sensor viewing area to a virtual curtain, removing short-range scanning, long-range scanning, or any combinations that suits the application. If you know the desired scanning zone(s) add masking to the inside surface of the Fresnel lens, as shown in Figure 4.



Left to right: full range, short range removed, and ½ vertical range removed.

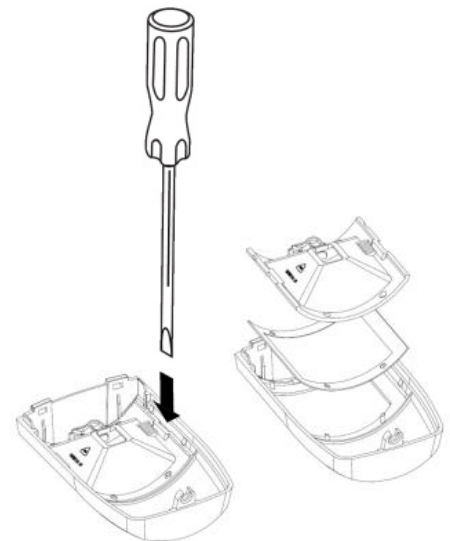
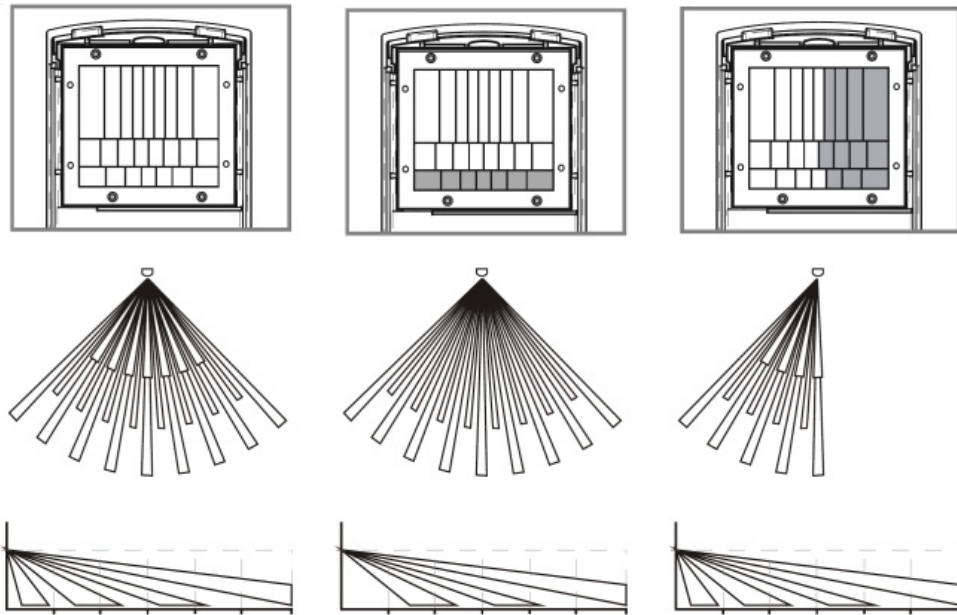


Figure 4. Adding Masking



Switch Settings

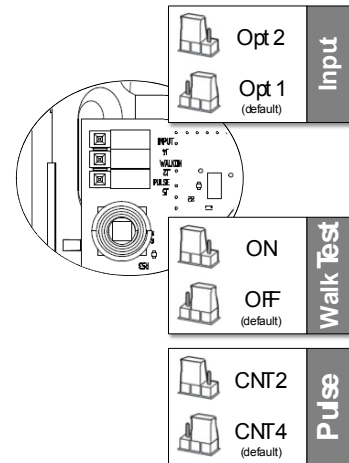
There are three jumper switches at the top-left corner of the PCB. Jumper switch definitions:

- A. Input - reserved for future features; not used.
- B. Walk Test - disables the wireless alarm to the system. Default is OFF.
- C. Pulse - selects the PIR sensitivity. Default is 100 lb pet immunity.

Setting Pet Immunity

Depending on the pets inside the house, the Motion Sensor Pet Immunity is adjustable between 50 lbs or 100 lbs.

- › For 50 lbs, move the Pulse jumper to the CNT2 position.
- › For 100 lbs, move the Pulse jumper to the CNT4 position.



Testing Coverage

To verify that the Motion Sensor detects all the areas:

- Set the Walk Test jumper to the ON position. This lets you walk in all areas of coverage to ensure the Motion Sensor detects a person's movement.
- Make mechanical mounting adjustments as required to cover the open area.