

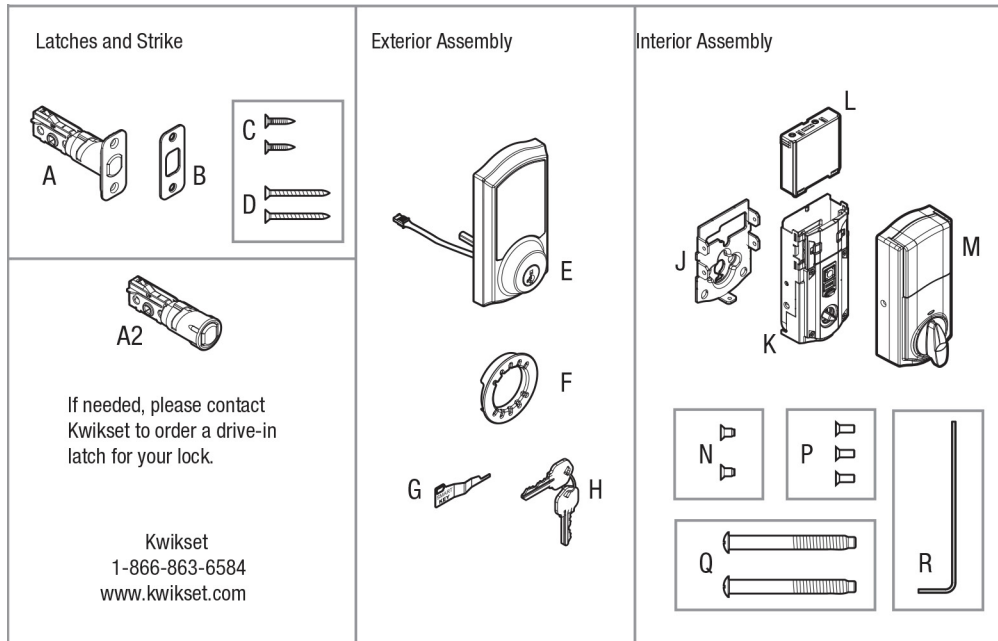
SMART HOME MONITORING



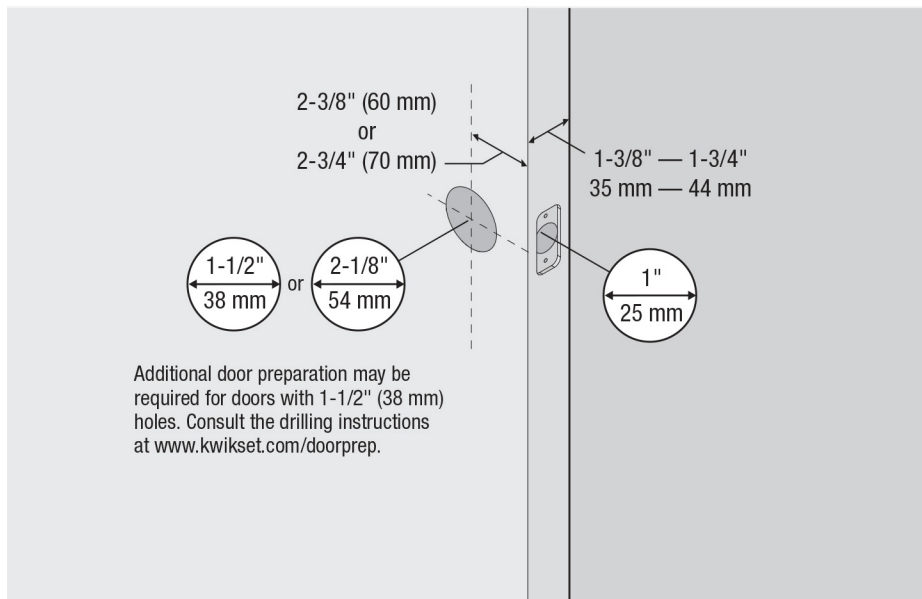
Door Lock Weiser Touchscreen

Manufacturer's Installation Guide

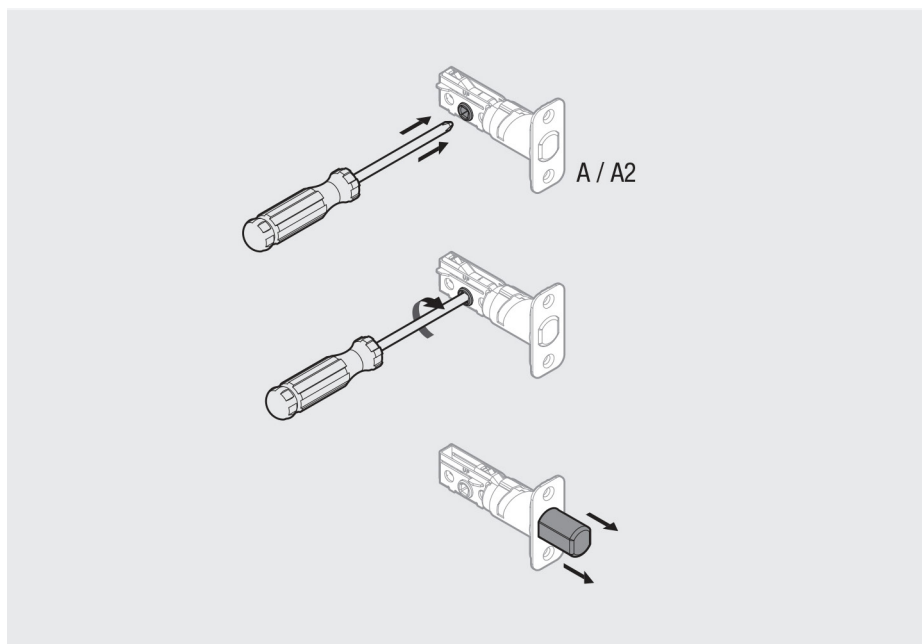
Parts in the Box



① Check dimensions

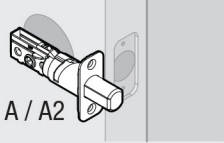


② Extend latch bolt

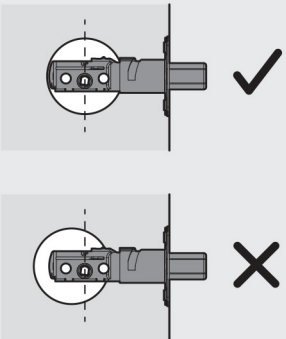


③ Adjust the backseat of latch (if needed)

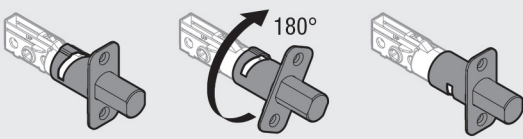
A Hold the latch in front of the door hole, with the latch face flush against the door edge.



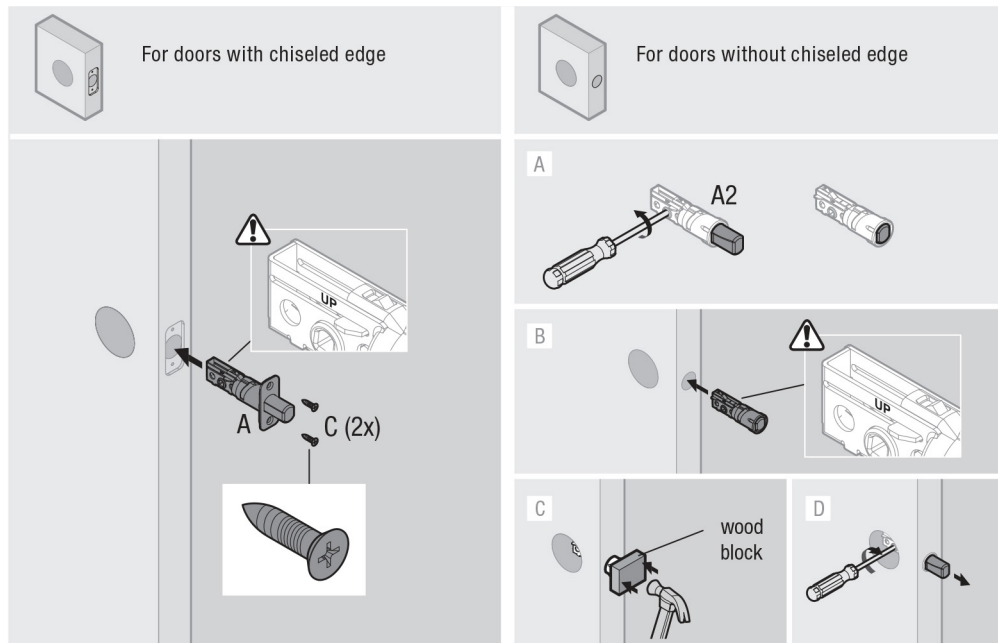
B If the latch holes are centered in the door hole, no adjustment is required. Proceed to step 4.
If the latch holes are NOT centered, adjust latch. See "Latch Adjustment."



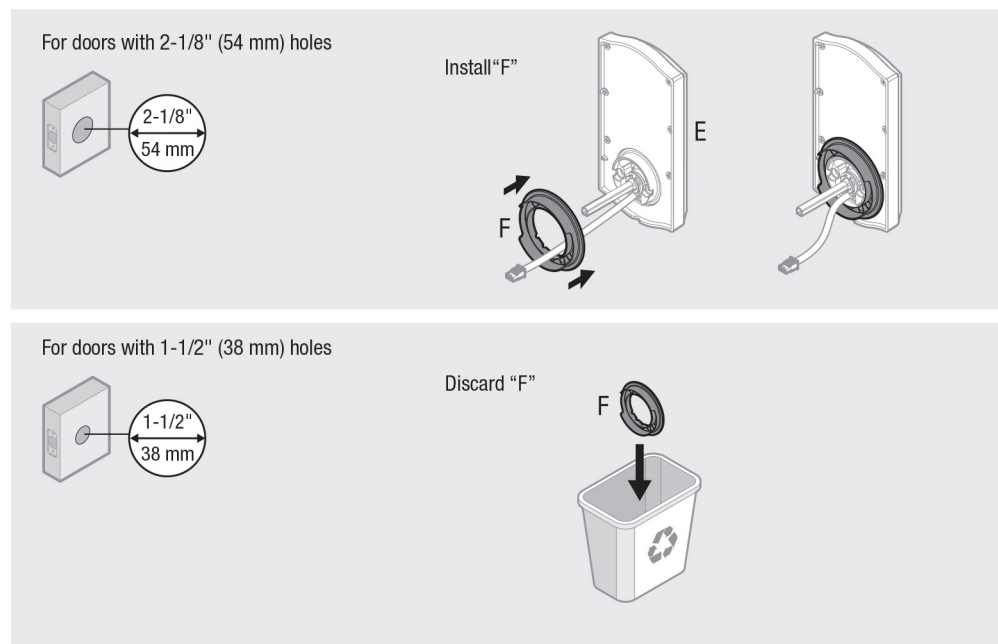
Latch Adjustment (only if needed)



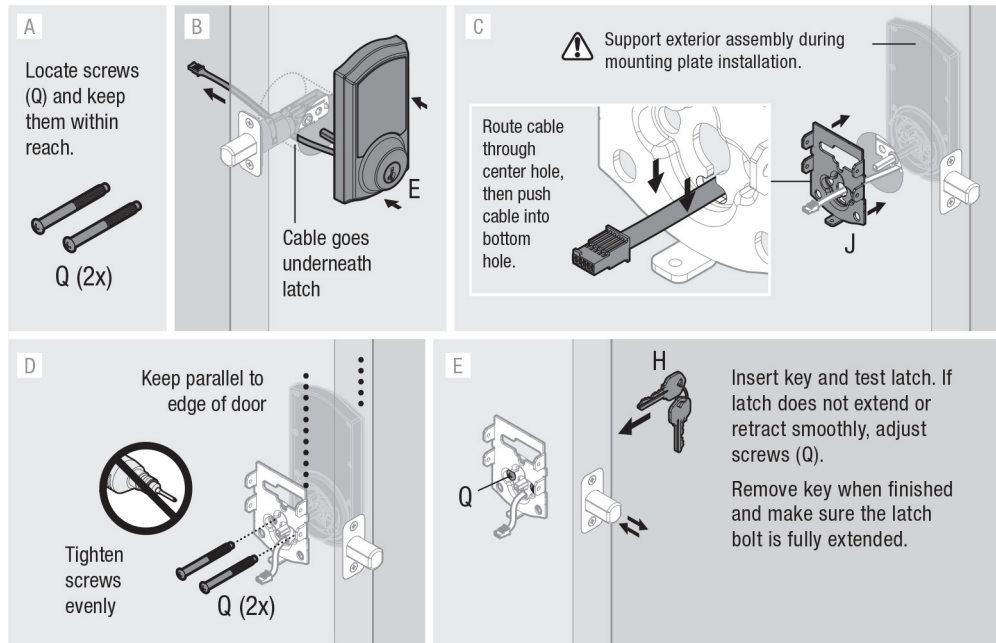
④ Install latch



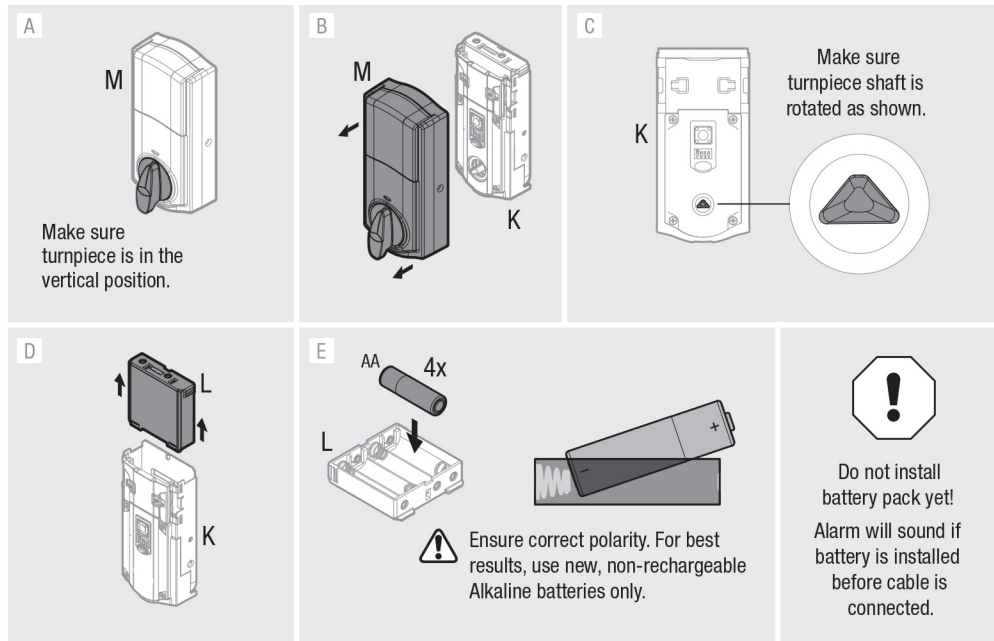
⑤ Prepare exterior keypad



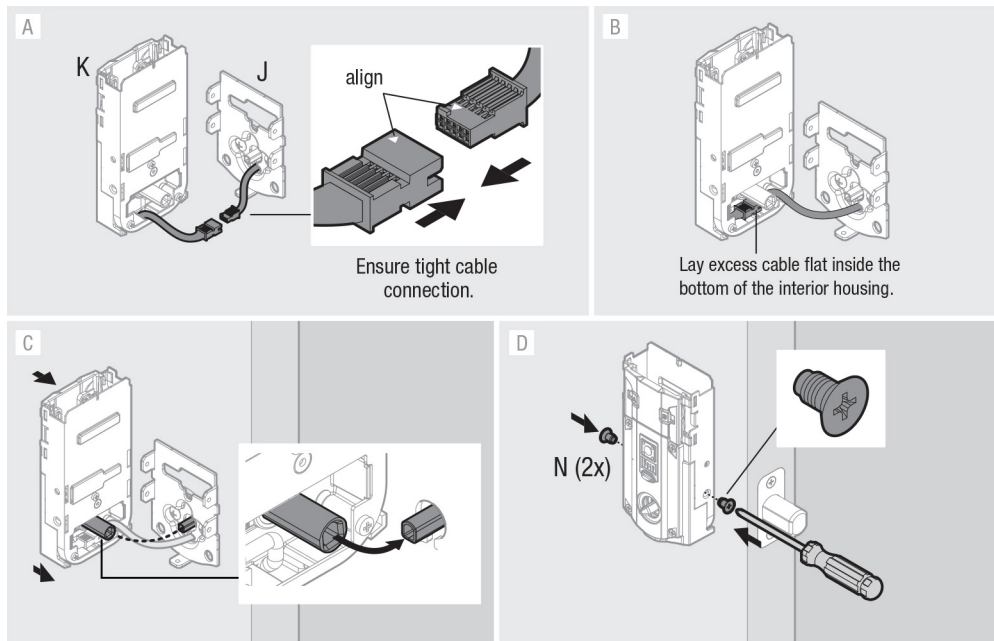
⑥ Install keypad and mounting plate



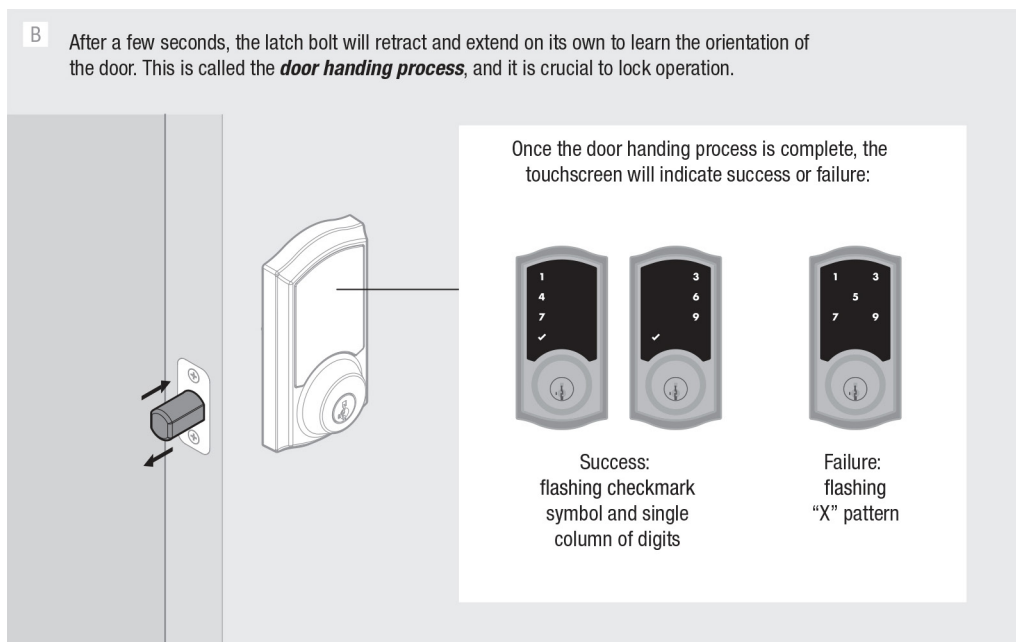
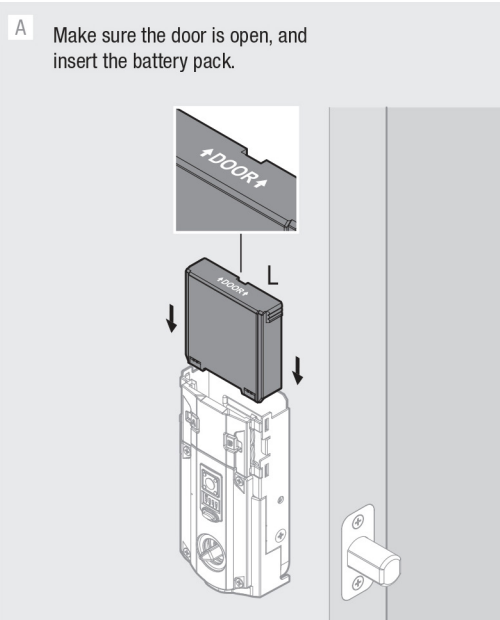
⑦ Disassemble interior assembly and load battery pack



⑧ Install interior assembly



⑨ Install battery pack and perform door handing process

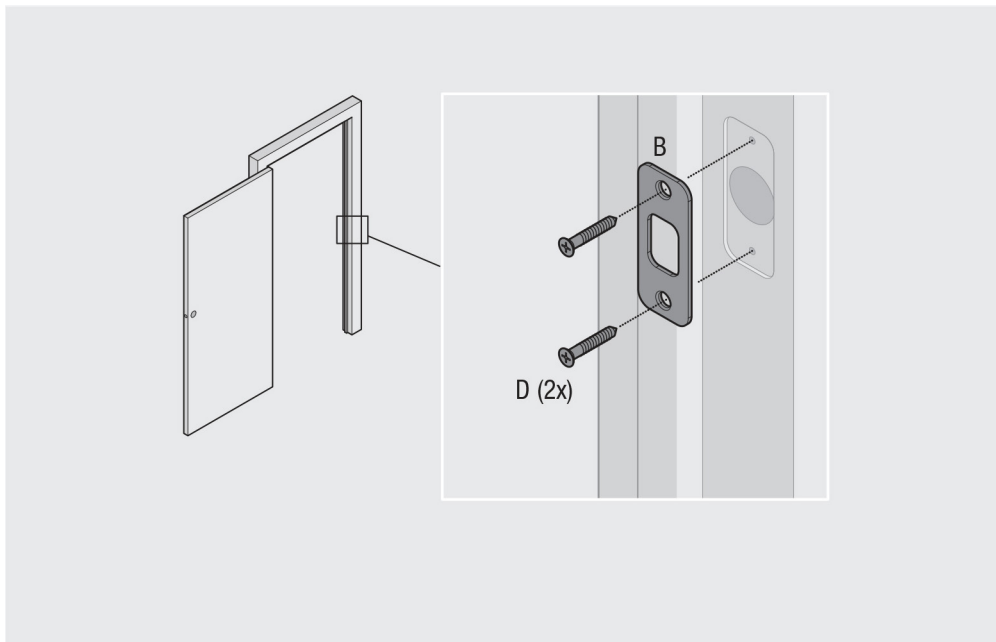


C

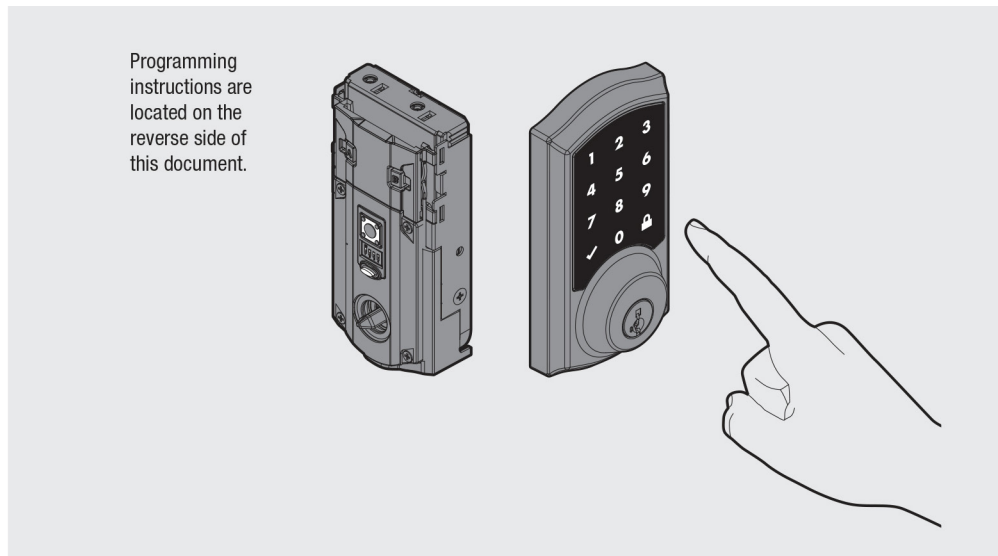
If the touchscreen indicates a failure, attempt this procedure again.

If the door handing process is still unsuccessful after a second attempt, consult the online Troubleshooting Guide, available on the SmartCode 916 product page of www.kwikset.com.

⑩ Install strike



⑪ Program the lock



⑫ Install the battery cover and re-key the lock

