

LENSES.



### Features

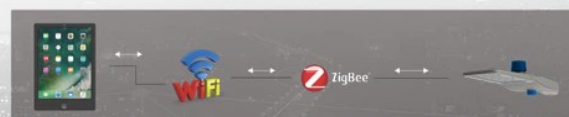
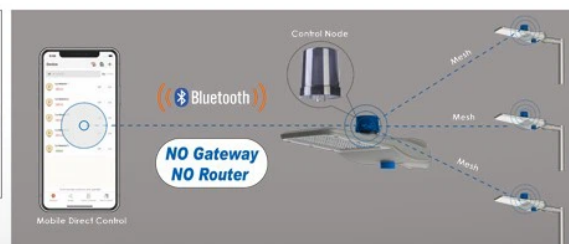
- LINOS street light, from 20W to 300W, designing five structures.
- Optional light control 3/5/7 PIN NEMA receptacle and the infrared sensor.
- SKD solution, Lenses, Glass, Upper Cover, Electrical parts etc, quickly assembly.
- Standard adjustable spigot 60mm for the whole LINOS Series.
- Tool-less access to the driver room by opening the upper cover.
- 50\*50mm Lenses, optional light source of 2835/3030/5050 etc, max. 180lm/W.
- 6 in 1 or 8 in 1 lenses, with different light distribution type 2/3/4/5.
- Independent electrical compartment and light source unit, lower temperature and longer lifetime.
- The light back is smooth designed, with self-cleaning function.
- The spigot is adjustable  $\pm 20^\circ$  and  $2.5^\circ$  per step.
- Standard version with gradienter for installation.
- The driver room well fit with both Class I and Class II LED driver.
- Optional the single light controller, Zhaga standard LED module and power disconnection switch.

### NEMA Socket 3PIN \ 5PIN \ 7PIN



#### Light Control and Dimming System

- We can set up and convert to lower cost version by smart control, saving energy 20%-50%, longer lifetime 2~4 times.



**Emergency Kit and Colour Temperature Adjustable Design**

**NO Gateway NO Router**

Mobile Direct Control

Bluetooth

Mesh

LED Street Light

**Colour Temperature Adjustable Design**

- LED Street Light designed with colour temperature adjustable.

**Emergency Driver Kit**

- Suitable for Class I LED driver support lighting for 3h to 4h when outage.

**Smooth Luminaire Body, with Self-cleaning Function**

Fashion design, smooth housing, preventing dust or water retention. Modern exterior design, highly favored among customers.

**External Wrapping Structure Waterproof Design**

Upper cover opening design feature, wrapping the LED driver compartment, waterproof by the structure, the water flows down when raining. LINOS has double waterproof function by adding the internal waterproof rubber ring.

**TILT ANGLE ADJUSTABLE DESIGN**

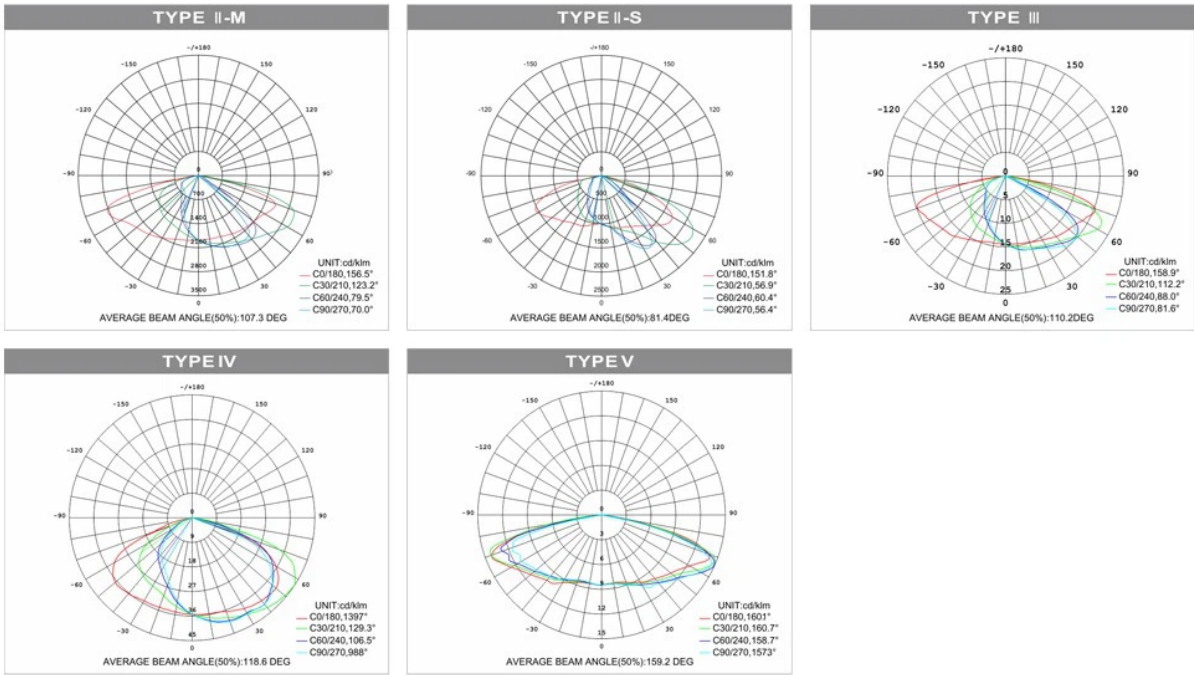
+20°

0°

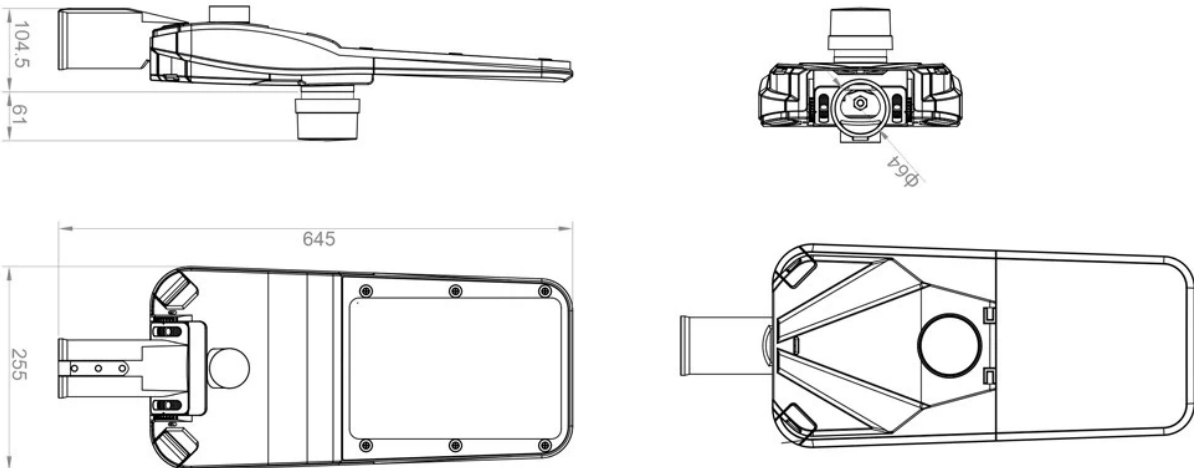
-20°

Tilt angle adjustable for installation  
±20° and 2.5° per step.

## Light Distribution



## Product Dimension



## Technical Specification

LINOS Large					
Model No.	MS-ST2015160	MS-ST2016170	MS-ST2017180	MS-ST2018190	MS-ST2019200
Input Voltage	100-277V	100-277V	100-277V	100-277V	100-277V
PF	>0.95	>0.95	>0.95	>0.95	>0.95
Power	160W	170W	180W	190W	200W
Light Distribution	Typell~V	Typell~V	Typell~V	Typell~V	Typell~V
Efficiency	180LM/W	180LM/W	180LM/W	180LM/W	180LM/W
CCT	4000K-5000K	4000K-5000K	4000K-5000K	4000K-5000K	4000K-5000K
CRI	>70	>70	>70	>70	>70
IP Rating	IP66	IP66	IP66	IP66	IP66
Warranty	5 years	5 years	5 years	5 years	5 years