

CooCo Limited



About CooCo



Main Products



Customized Cases



About CooCo

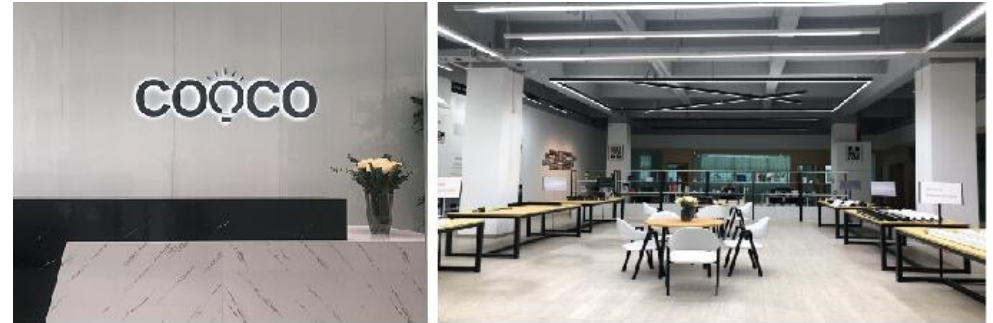


LED Linear Lighting System

- Systematization
- Modularization
- Intellectualization
- Innovative Optics

Profile

- 2013 Established, registered capital \$1.4m
- Plant area: 3200m²
- Employees: 40-50 peoples
- Production Capacity: 2000 meter per day
- Production: ISO9001
- Own-developed connectors T11, T13, F13...
- Own-developed optical lens
- Market: Europe, Australia, North America





Roll-formed Machine
(Steel Housing Parts)



Metal Punching Machine
(All Metal Parts)



Plastic Injection Machine
(All Plastic Parts)



Plastic Extrusion Machine
(Flexible rail with copper wires)

Veco GmbH: After-sale Service | Germany Warehouse

COOCO PRODUCTS APPLICATION SERVICE COMPANY

Service Warehouse

STOCK INQUIRY

WAREHOUSE Bonn, Germany Shenzhen, China

SYSTEM LED Linear Trunking System LED Line Continuous System LED Track Lighting System

PRODUCT SLine CLine G2

INQUIRE



Inquiry: www.cooco.cc/service/warehouse

Address: E220, Carl-Schurz-Str.7 41460 Neuss, Germany

R&D History

COOCO



- 2017
CLine G2
Special optics for higher transmittance and lower UGR



- 2023
SLine Flex
F13 Flexible Connector System



- 2024
TLine IP65 Flex
IP65 waterproof with F13 Connector

- 2015
ELine, CLine G1
The 1st Gen of Aluminum Housing



- 2018
SLine Fixed
Automated production for Steel Housing





Main Products

Products overview



LED Linear Trunking System



Supermarket



industry



LED Line Continuous System



Office



Architecture



LED Track Lighting System



Shop

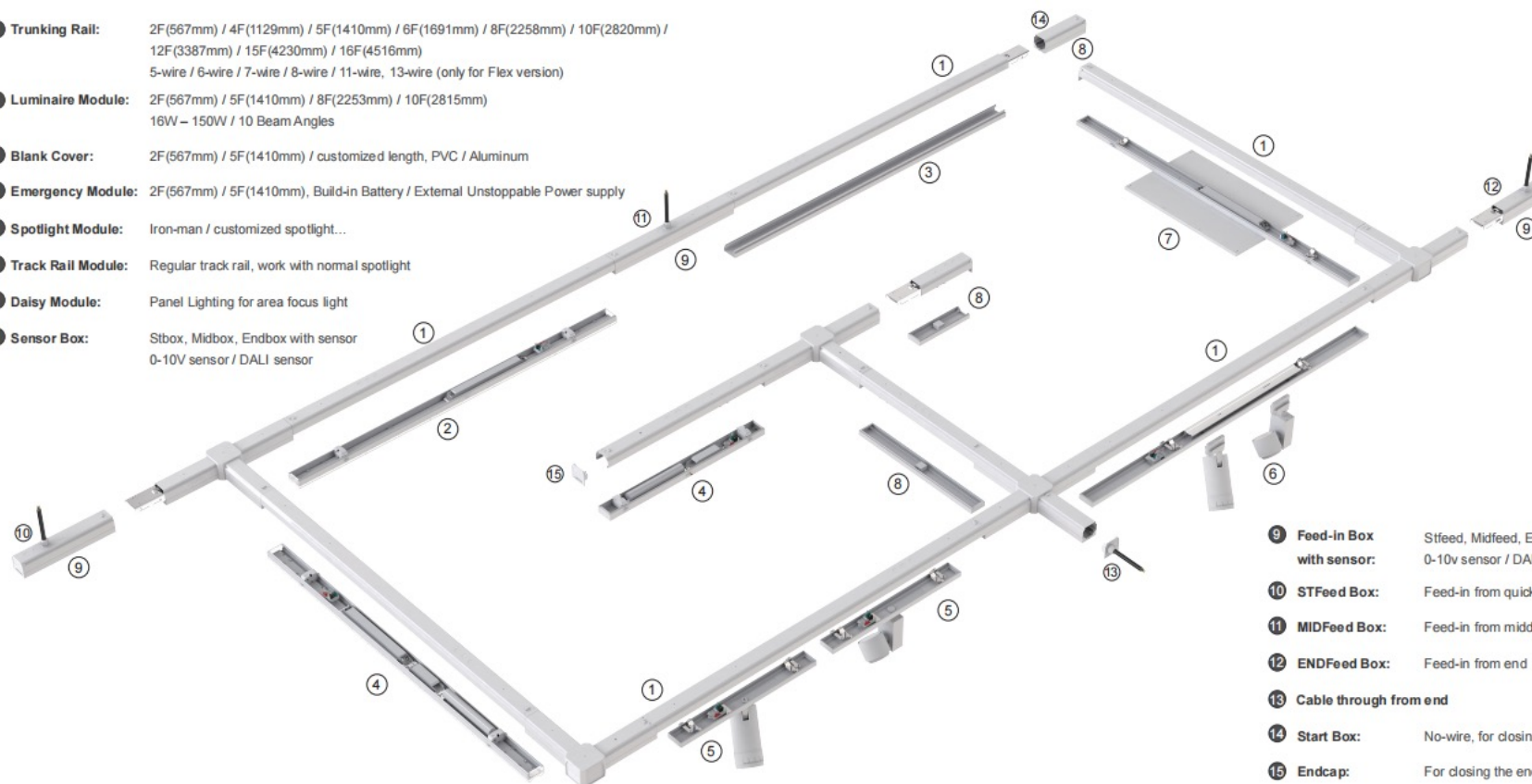


Museum

System Introduction

Exploded View

- 1 Trunking Rail:** 2F(567mm) / 4F(1129mm) / 5F(1410mm) / 6F(1691mm) / 8F(2258mm) / 10F(2820mm) / 12F(3387mm) / 15F(4230mm) / 16F(4516mm)
5-wire / 6-wire / 7-wire / 8-wire / 11-wire, 13-wire (only for Flex version)
- 2 Luminaire Module:** 2F(567mm) / 5F(1410mm) / 8F(2253mm) / 10F(2815mm)
16W – 150W / 10 Beam Angles
- 3 Blank Cover:** 2F(567mm) / 5F(1410mm) / customized length, PVC / Aluminum
- 4 Emergency Module:** 2F(567mm) / 5F(1410mm), Build-in Battery / External Unstoppable Power supply
- 5 Spotlight Module:** Iron-man / customized spotlight...
- 6 Track Rail Module:** Regular track rail, work with normal spotlight
- 7 Daisy Module:** Panel Lighting for area focus light
- 8 Sensor Box:** Stbox, Midbox, Endbox with sensor
0-10V sensor / DALI sensor

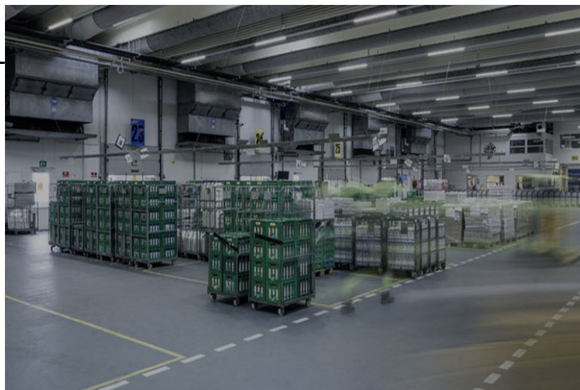


- 9 Feed-in Box with sensor:** Stfeed, Midfeed, Endfeed with sensor
0-10v sensor / DALI sensor
- 10 STFeed Box:** Feed-in from quick-connector
- 11 MIDFeed Box:** Feed-in from middle position
- 12 ENDFeed Box:** Feed-in from end
- 13 Cable through from end**
- 14 Start Box:** No-wire, for closing the end
- 15 Endcap:** For closing the end

Application

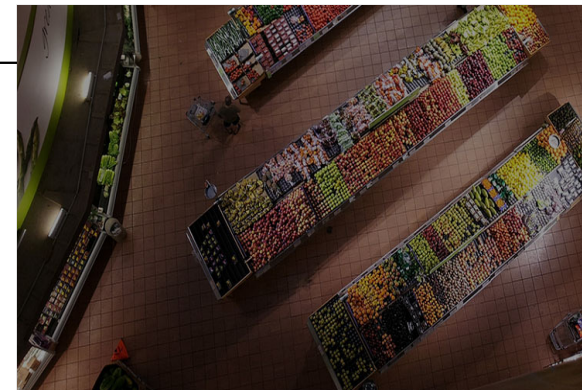
Warehouse

- SLine Fixed
- Economic



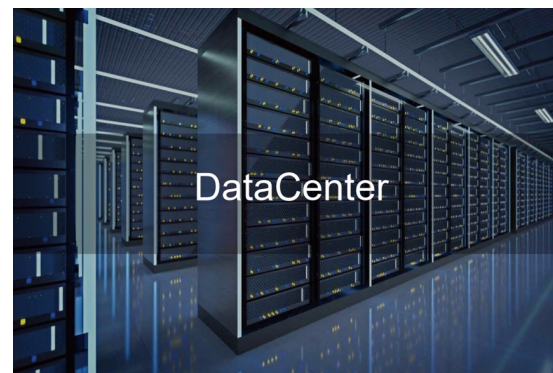
Supermarket

- SLine Flex
- High Efficacy



Industry

- TLine Flex
- UV resistance, Silicone-free



Data center

- SLine Flex
- Free arrangement

LED Linear Trunking System



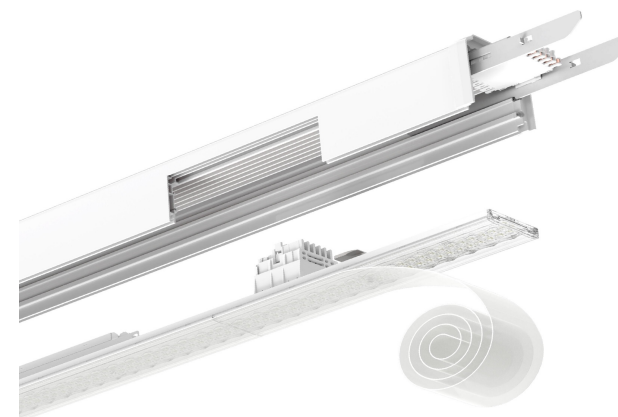
Sline Fixed

- Fixed Connector
- IP50



Sline Flex

- Flexible Connector
- IP50

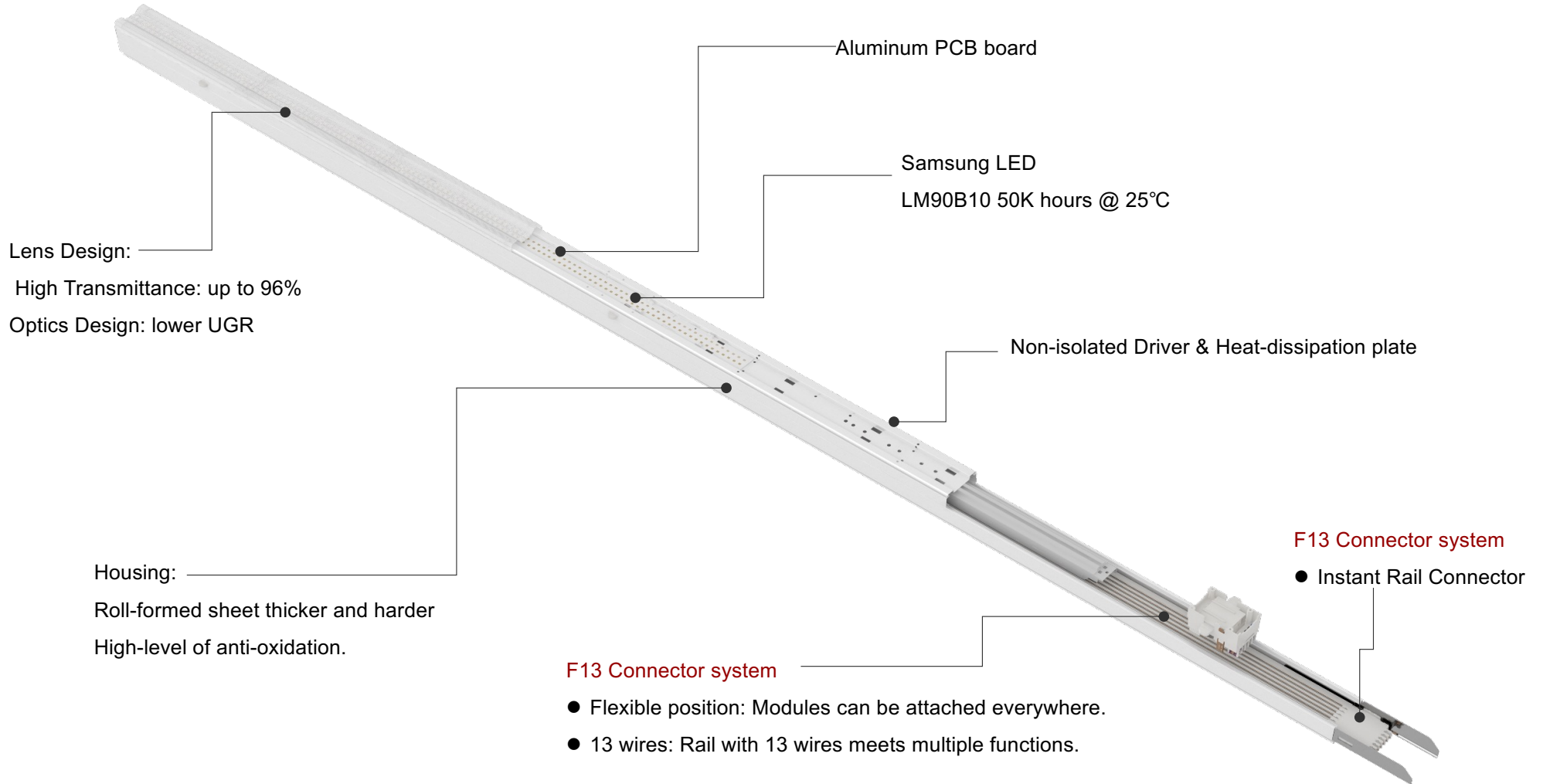


Tline Flex IP65

- Flexible Connector
- IP65

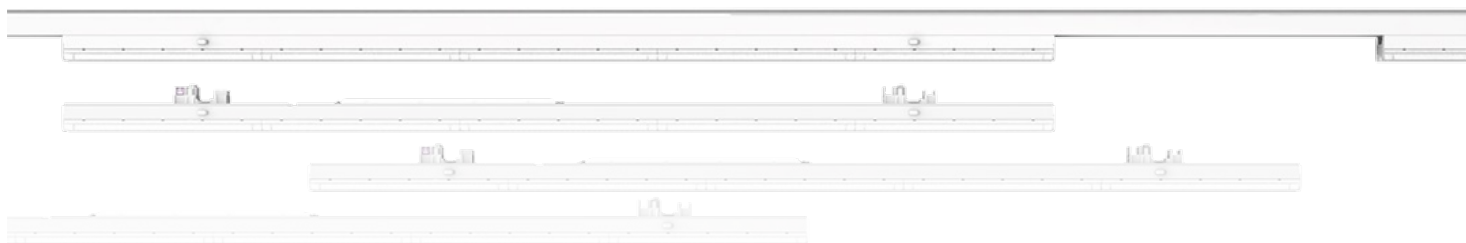


Sline Flex

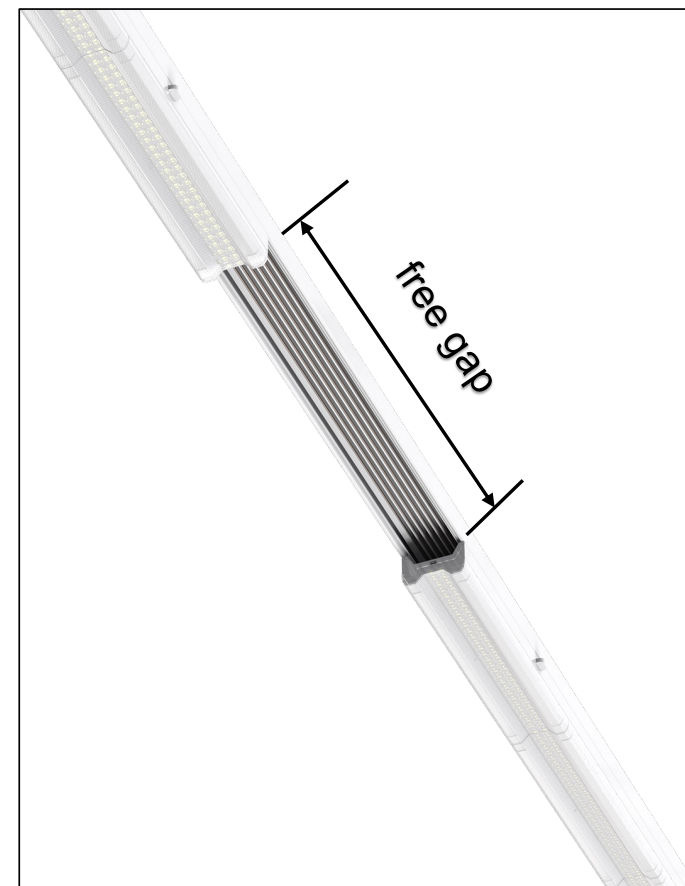
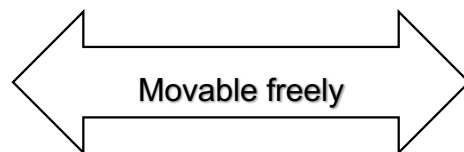


Flexibility-free attachment

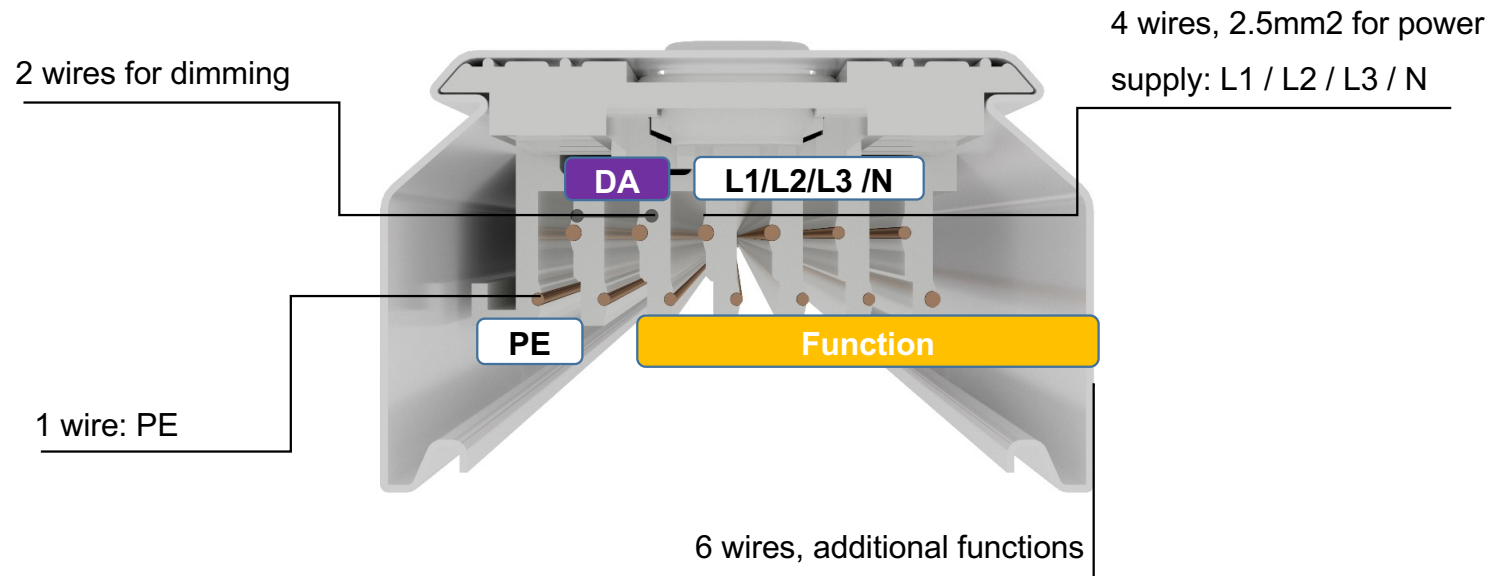
Trunking Rail



Luminaire module

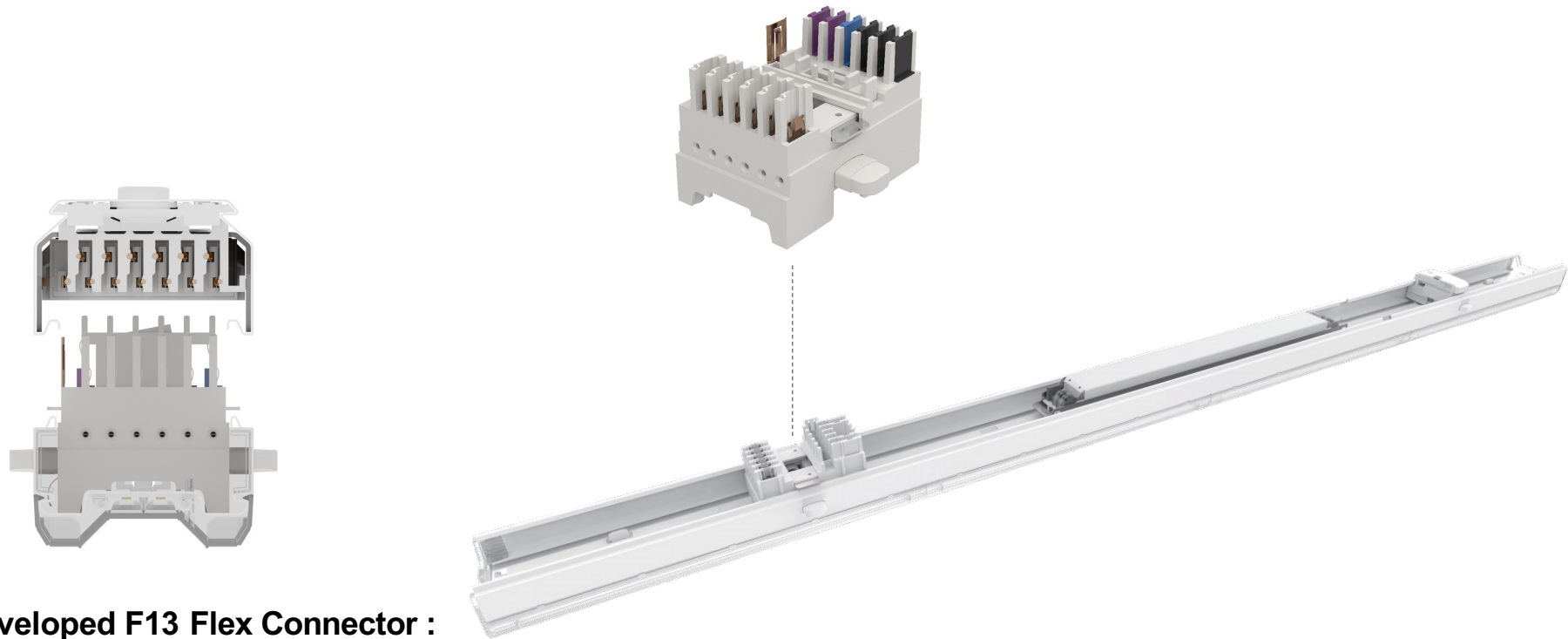


13-wire Trunk



- 13 wires with 2.5mm²
 - 5 wires for main power supply with phase selection function.
 - 2 wires for DALI or control signal transmittance.
 - 6 wires for other functions.

F13 Flexible connector



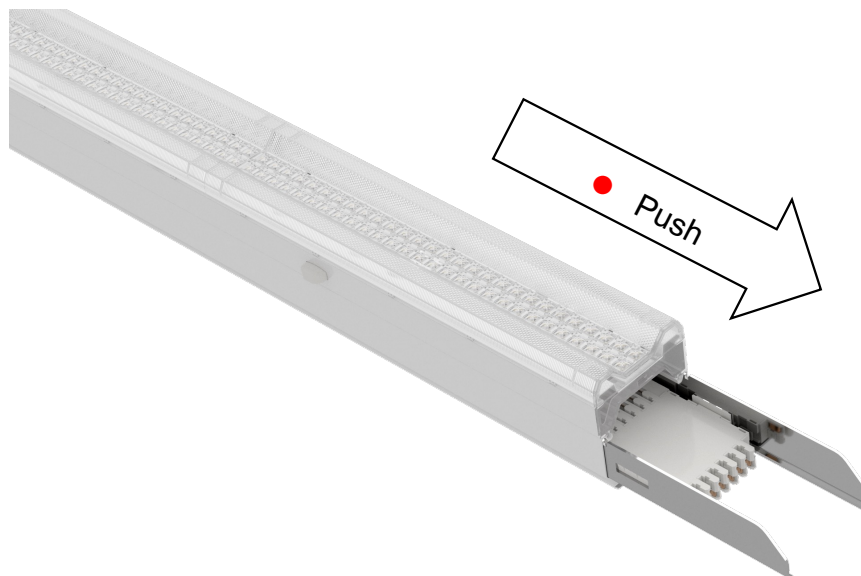
Own-developed F13 Flex Connector :

Self-development, **one-step design** for electric and mechanical connection.

Special **fool-proof** design for safe installation.

The first and only company in China launching this product.

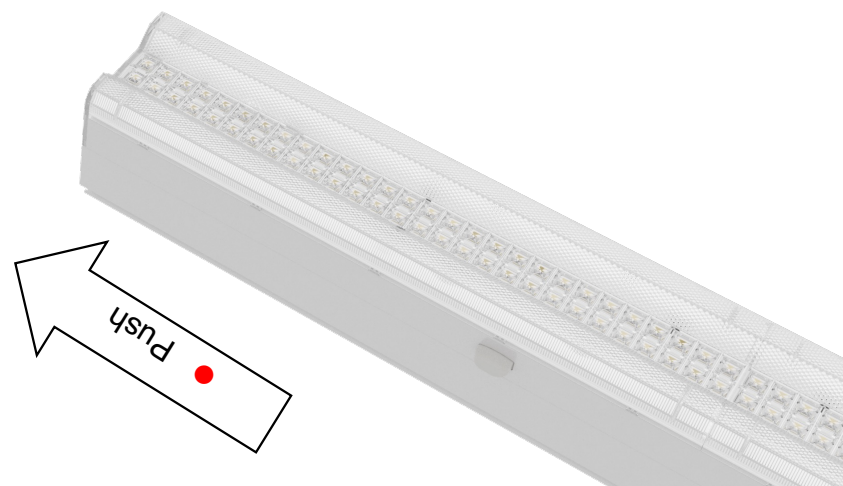
Instant Connection



- Fool-proof instant connection design

One-step design: Push&Play

No need extra external connector.



Luminaire Module - Innovative Optic Design



High Efficiency

The luminous efficiency of the whole lamp can reach 160lm/w or 185lm/w.
The transmittance of the lens can reach 96%.
The efficiency of LED driver can reach 94%.

All-around Testing

UGR<19, transmittance up to 96%, PMMA anti-corrosion



LED: High-quality LED chips from Samsung and Lumileds



9 beam angles, same appearance



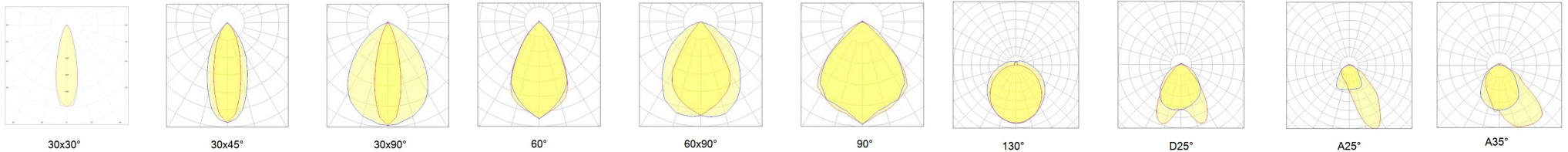
diffuser for 130° only

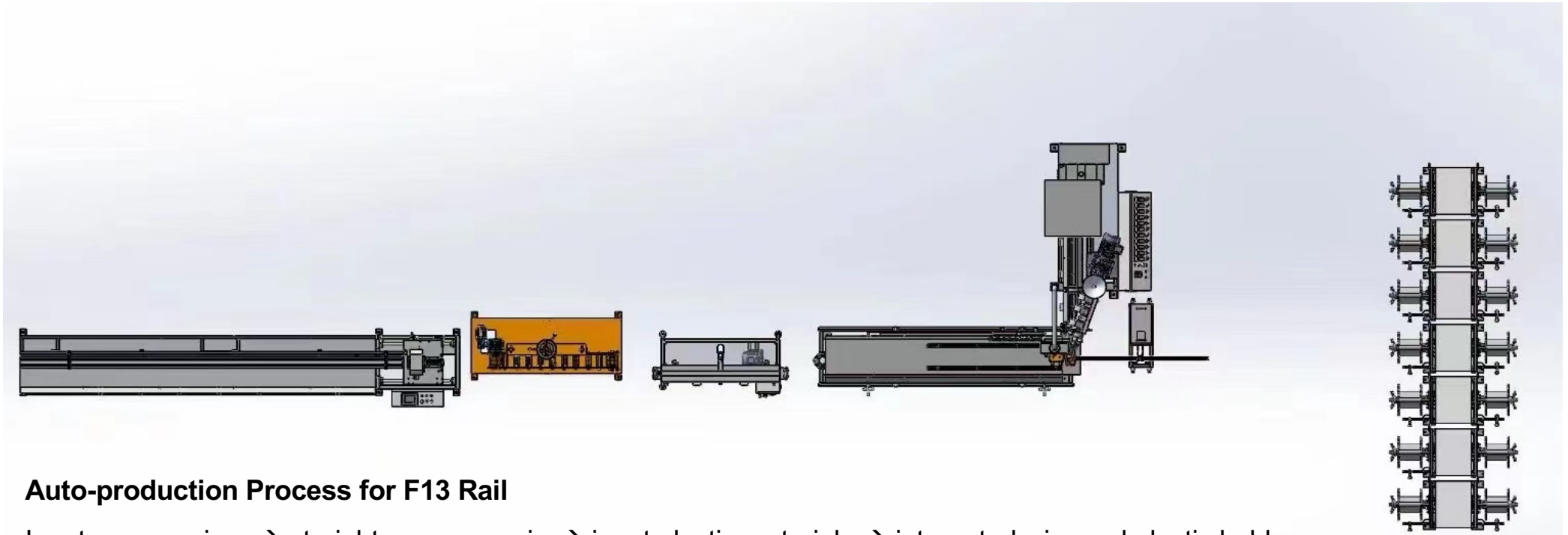
Specification

- Length of Rail: 4F / 5F / 6F/ 8F / 10F / 12F/ 15F / 16F
- Length of Luminaire: 4F(1129mm) / 5F(1410mm) / 6F(1691mm) / 8F(2253mm)
- Wattage: 60W / 80W / 80W / 100W
- 170-175lm/w OR 180-185lm/w CRI>80(>90 on request)
- Ta = 45°C IP = 50
- 10 Beam Angles: 30*30°, 30*45°, 30*90°, 60°, 60*90°, 90°, 60°, 130°,
 • D25°, A25°.
- 5 years warranty

Rail	L	W	H
TR.4F	1129	65	37
TR.5F	1410	65	37
TR.6F	1691	65	37
TR.8F	2258	65	37
TR.10F	2820	65	37
TR.12F	3387	65	37
TR.15F	4230	65	37
TR.16F	4516	65	37

Luminaire Module	L	W	H
LM.2V4F	1129	65	35
LM.2V5F	1410	65	35
LM.2V6F	1691	65	35
LM.2V8F	2253	65	35

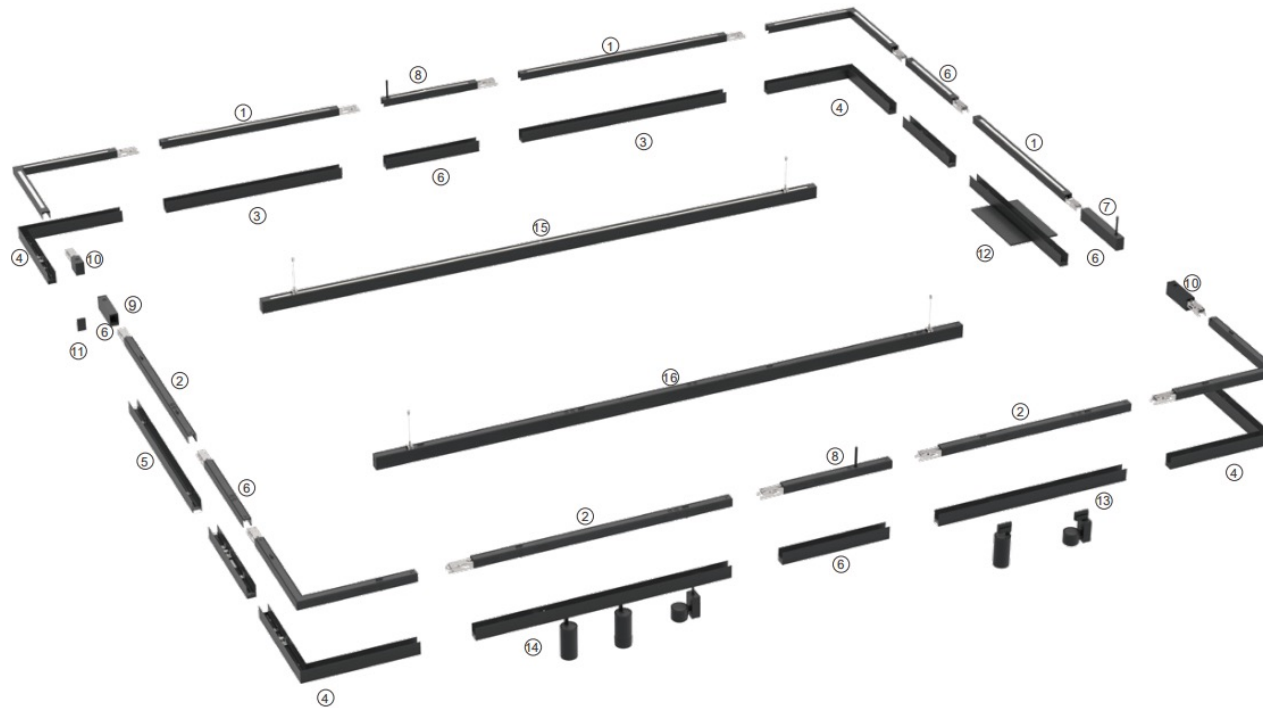


Auto-machine design**Auto-production Process for F13 Rail**

Input copper wires → straighten copper wire → input plastic materials → integrated wire and plastic holder
→ formation → cutting → output



LED Line Continuous System

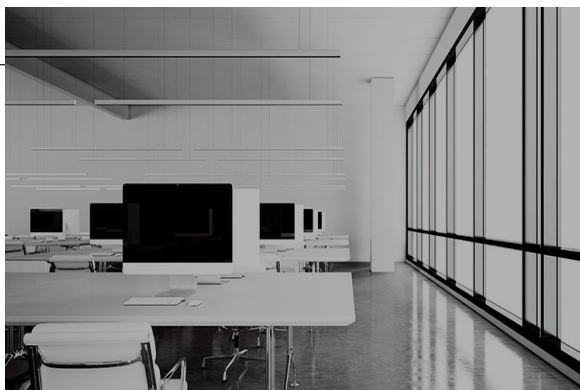


- 1 Trunking Rail(Up):** With indirect lighting
- 2 Trunking Rail:** Normal without indirect lighting
- 3 Linear Luminaire Module:** Optic lens / Opal diffuser / Micro-prismatic diffuser / Reflector
- 4 L-Shape Luminaire Module:** Optic lens / Opal diffuser / Micro-prismatic diffuser / Reflector
- 5 Blank Module:** Blank cover
- 6 Sensor Module:** DALI sensor / 0-10V sensor
- 7 Stfeed:** Feed in from start position
- 8 Midfeed:** Feed in from middle position
- 9 Stbox:** Cover quick-connector
- 10 Endbox with Sensor:** Provide sensor on the end
- 11 Endcap:** Cover hole on the final rail
- 12 Daisy Panel Light Module:** Area focus lighting
- 13 Track Rail Module:** Traditional rail to install track light
- 14 Spotlight Module:** Spotlight in the system
- 15 Single Lamp Up&Down:** Without continuous connection function
- 16 Single Lamp:** Without continuous connection function

Application

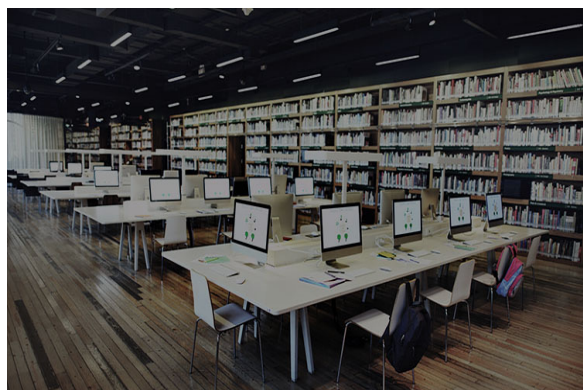
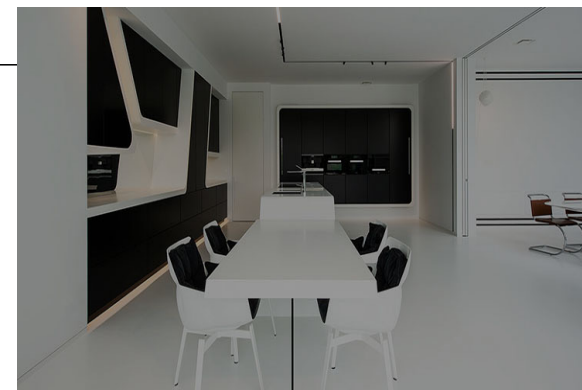
Office

- DLine Flex
- Smart Lighting



Club

- DLine Fixed
- Low UGR



Education

- DLine Fixed
- No Blue Light Harzard



Architectural

- DLine Flex
- Low Energy Consumption

LED Line Continuous System

Dline Flex

Flexible Connector

Dline Fixed

Fixed Connector



● Unique Integral Design

● UGR19

● Tunable White

LED Track Lighting System



Prince Slim

Ultra-Slim



Daisy Series

Penal

Application

Museum

- Prince Slim
- Harmony



Supermarket

- Daisy
- High Efficacy



Retail

- Prince Slim
- Integral appearance



Architecture

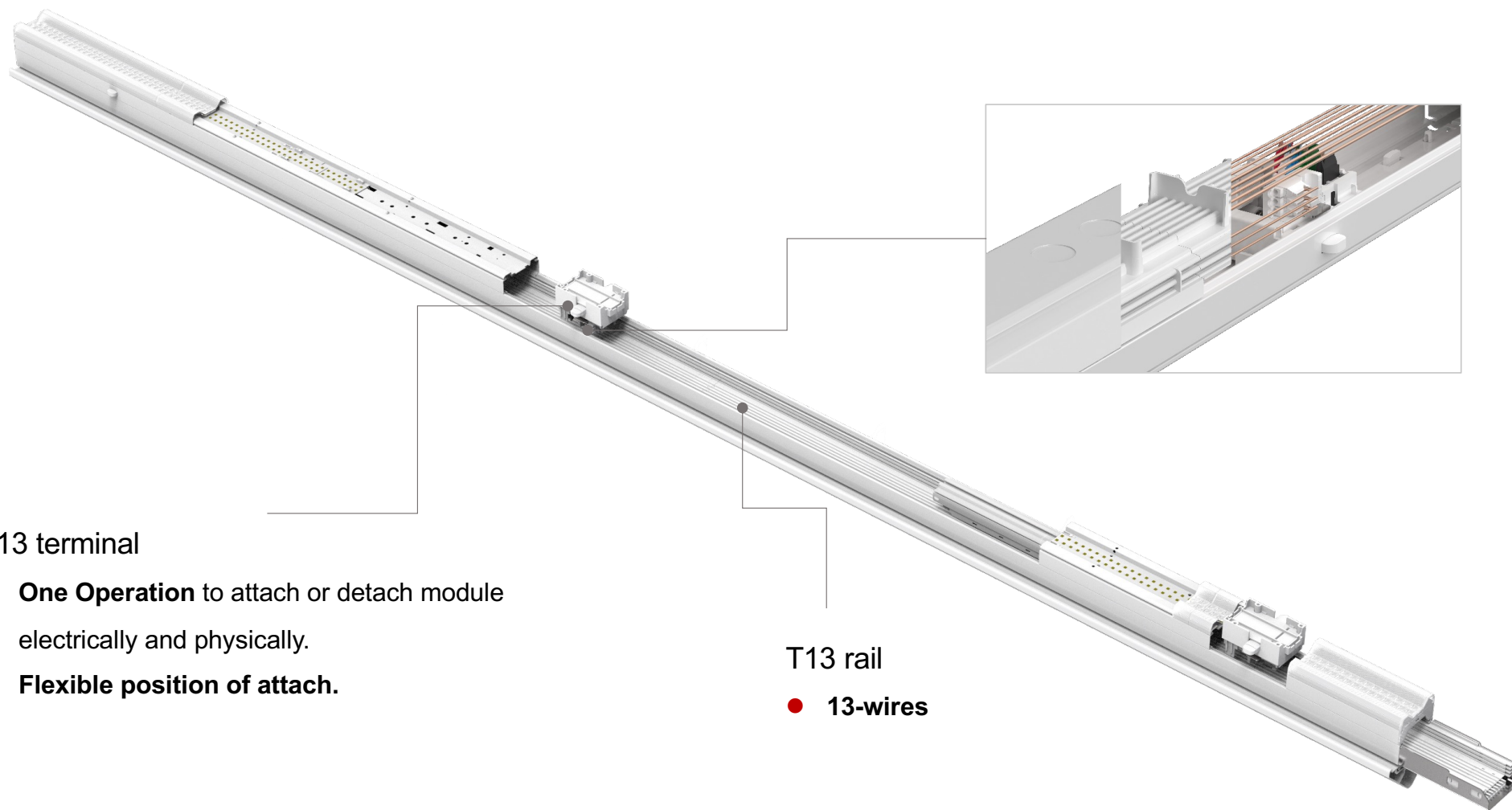
- Daisy Pro
- Ultra Anti-glare



Customized Cases

COOCO x **Schröder**

T13 Terminal System



T13 terminal

- **One Operation** to attach or detach module electrically and physically.
- **Flexible position of attach.**

T13 rail

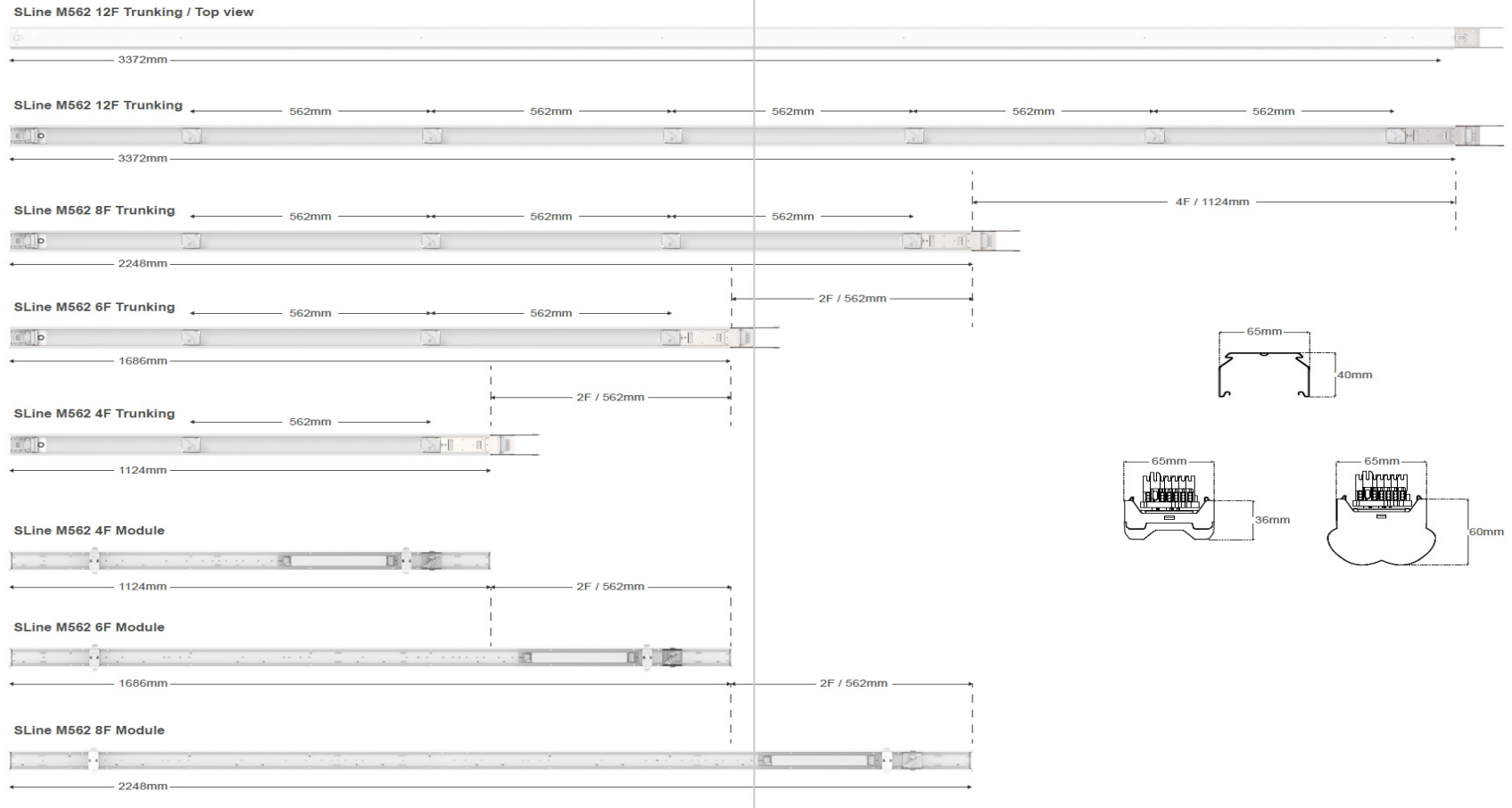
- **13-wires**



X



Multi-connectors Solution



COOCO x THORN

Audi Industry project



Audi New Energy Vehicle Production Industry



Thanks!