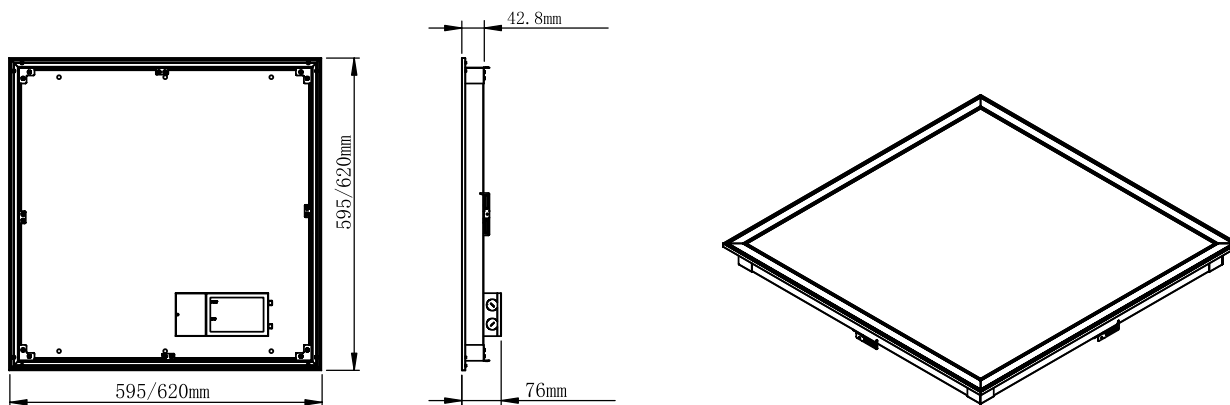
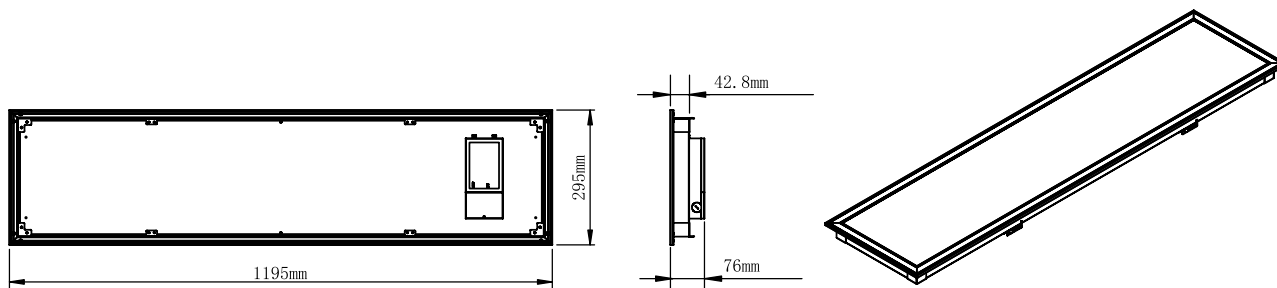


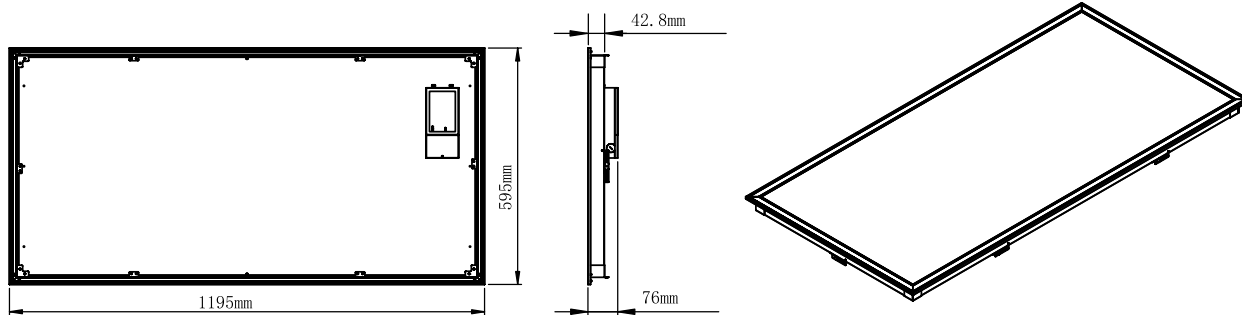
3.Product Structure(Unit:mm[in])



595*595mm/620*620mm

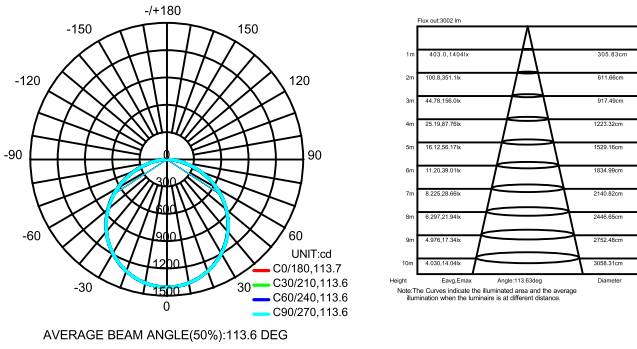


1195*295mm

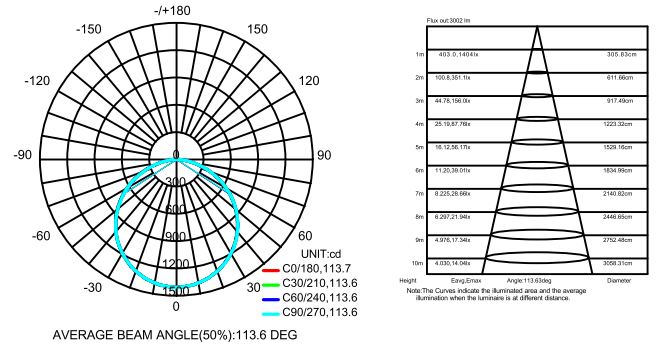


1195*595mm

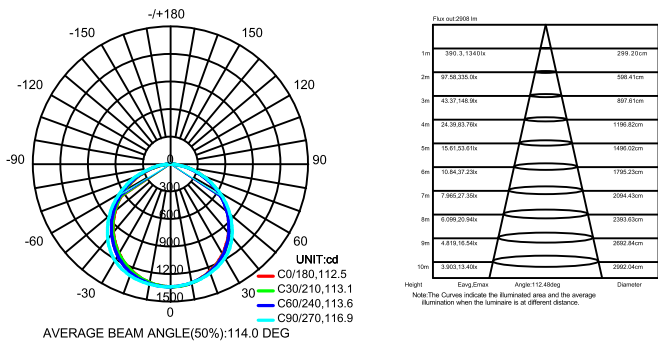
4.Light Distribution Curve



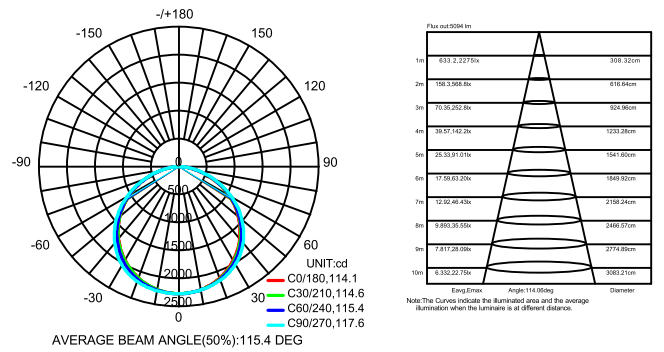
MS-PL167036-40X



MS-PL162036-40X



MS-PL165036-40X



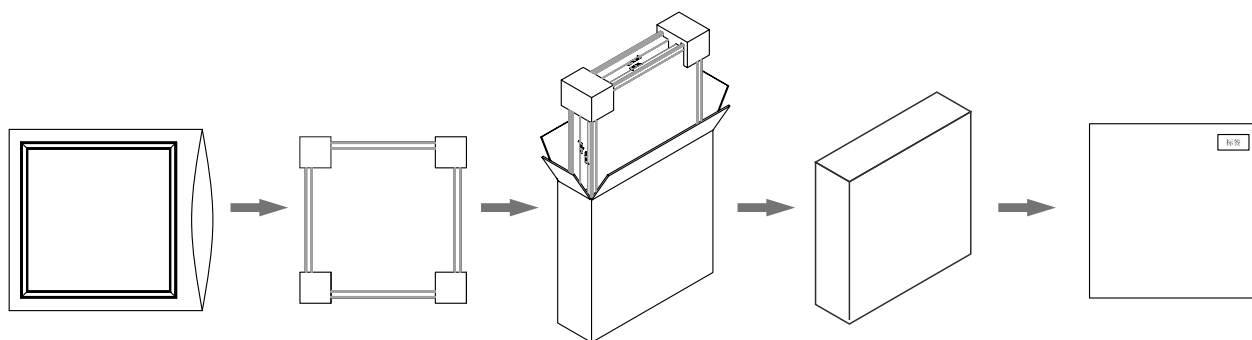
MS-PL166054-40X

5. Technical parameters

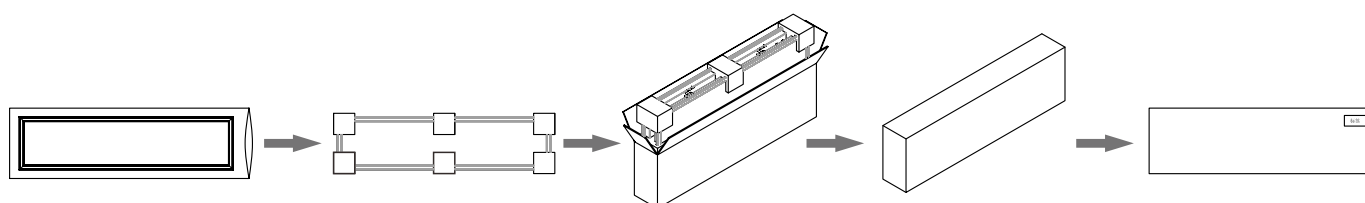
Model No.	MS-PL167036-XXX	MS-PL162036-XXX	MS-PL165036-XXX	MS-PL166054-XXX
Input Voltage	AC100-277V	AC100-277V	AC100-277V	AC100-277V
Frequency	50/60Hz	50/60Hz	50/60Hz	50/60Hz
Power	36W	36W	36W	54W
CCT	4000K	4000K	4000K	4000K
CRI	80	80	80	80
Luminous Flux(+/-8%)	4680lm	4680lm	4680lm	7020lm
Luminous Efficiency	130lm/w	130lm/w	130lm/w	130lm/w
Light Beam Angle	115°	115°	115°	115°
Material	Aluminum	Aluminum	Aluminum	Aluminum
Diffuser Plate	PS	PS	PS	PS
Working Environment	-20~40℃	-20~40℃	-20~40℃	-20~40℃
Life span	50000hrs	50000hrs	50000hrs	50000hrs
IP	IP20	IP20	IP20	IP20
Size(mm)	595*595mm	620*620mm	1195*295mm	1195*595mm
Dimmable	Dim/Non-Dim	Dim/Non-Dim	Dim/Non-Dim	Dim/Non-Dim
Installation	Recessed	Recessed	Recessed	Recessed

Remarks: XX means CCT 30=3000K, 40=4000K 50=5000K, 57=5700K, 65=6500K
A means dimmable, B means non dimmable

6. Packaging



595x595mm/620*620mm packing diagram



1195x295mm packing diagram