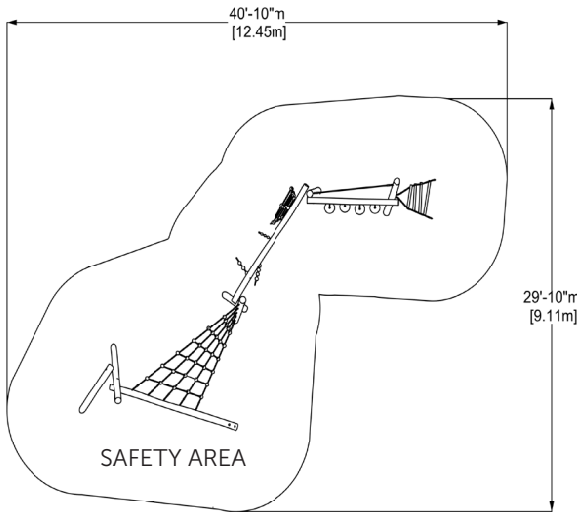
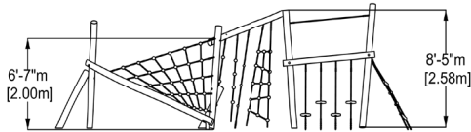


Small Parcours

EP-NS-041 (ASTM & CSA)



CHARACTERISTICS

Age group: 2-5 years old
 Fall Height: 6'-7" (2.0m)
 Capacity: 38
 Safety zone: 40'-10" x 8'-5" (12.45m x 9.11m)

MATERIALS

Beams: Minimum 10" dia. peeled Cedar log. No protection is applied to the wood. If you wish to avoid graying, protection must be applied annually.
Mounting Brackets: Galvanized steel;
Ropes: 20 mm braided UV-resistant nylon over seven (7) galvanized steel cables;
Discs: HDPE plastic;

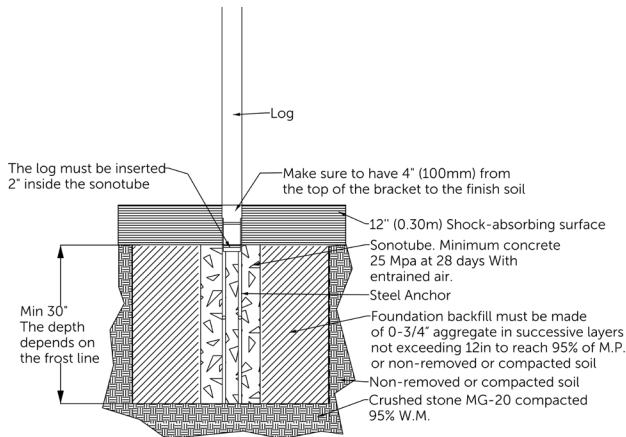
ANCHORS TYPE

The logs are fixed with steel anchors cast in Ø18" sonotubes and the climbing ropes are mechanically anchored in Ø12" sonotubes. The equipment is design to be installed in a 12" (300mm) of resilient material (EWF, rubber or sand). If the tickness varies, please specify when ordering.

PLAY VALUE

The Small Parcours promotes balance, agility, coordination and overall motor skills. It can be used by several users simultaneously, promoting collaborative and social games. The equipment allows an ideal arrangement with the other products of the Nature serie.

INSTALLATION DETAILS

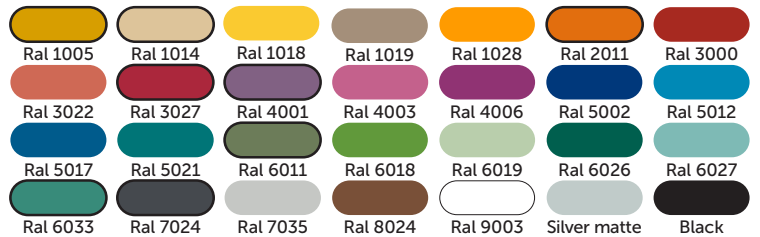


AVAILABLE WOOD

Eastern white cedar is installed by default. The robinia is also available on request at an additional cost.



AVAILABLE COLORS - PAINT



AVAILABLE COLORS - CABLES

