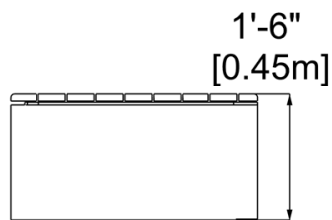
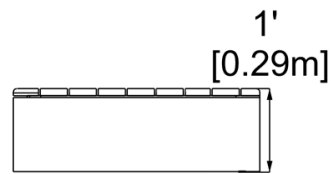
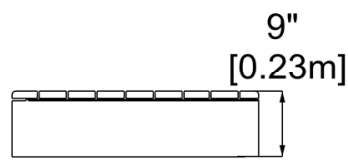
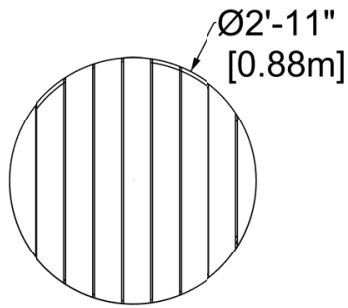
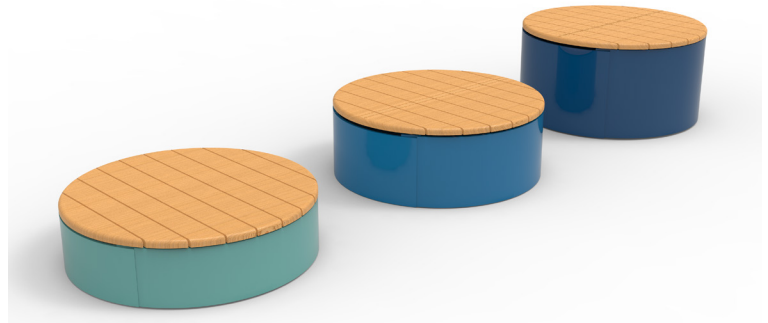


Round Bench - Medium

EP-UFS-BRND0035-9

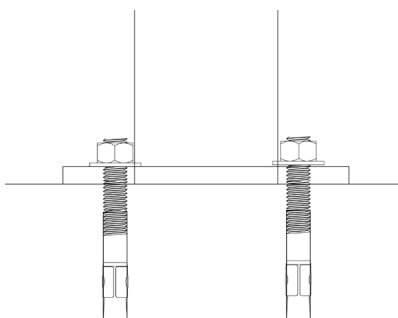
EP-UFS-BRND0035-12

EP-UFS-BRND0035-18



INSTALLATION DETAILS

Mechanical anchoring on concrete slab (coordinated with civil engineering).



CHARACTERISTICS

Diameter : 2'-11" (0.88m)

Available in three different heights :

9" (0.23m)

12" (0.29m)

18" (0.45m)

MATERIALS

Structure: zinc powder coated steel

Seating: plastic panels with plank texture.

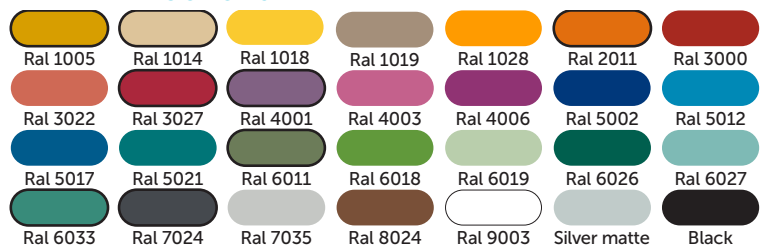
ANCHOR TYPE

Mechanical anchors in a 6" poured concrete slab on granular foundation.

PLAY VALUE

Round benches can be combined to form a flexible outdoor classroom, stage or gathering place.

AVAILABLE COLORS - PAINT



AVAILABLE COLORS - PLASTIC SURFACE

*Prices may vary according to the material selected.

