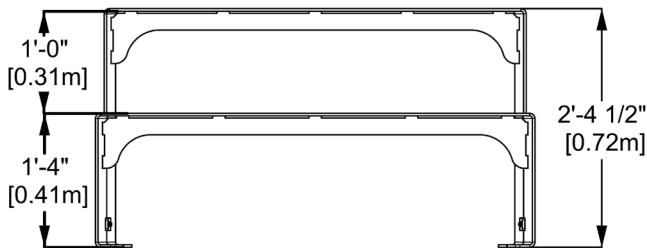
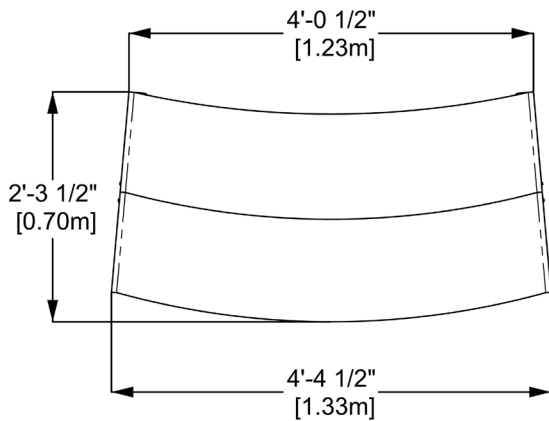


Arched Table and Bench

EP-UFS-FUN1000



CHARACTERISTICS

Assembly dimensions 52.5" x 27" x 28.5" (1.3m x 0.7m x 0.7m)

MATERIALS

1/4" thick steel structure, zinc plated and powder coated.
Only one color per assembly.

ANCHOR TYPE

Mechanical anchors in concrete slab.

AVAILABLE COLORS - STRUCTURE

