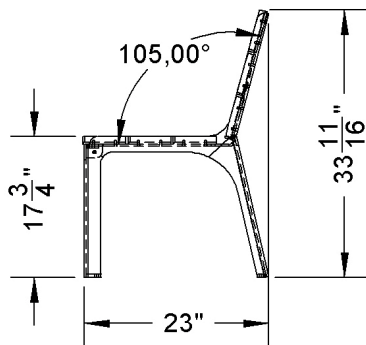
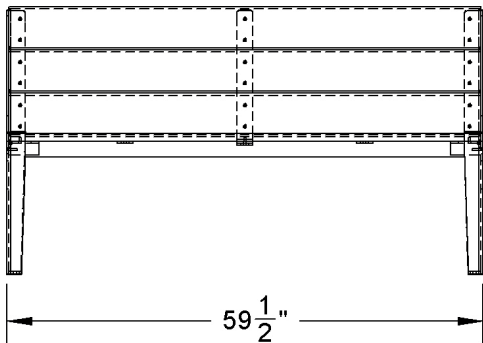
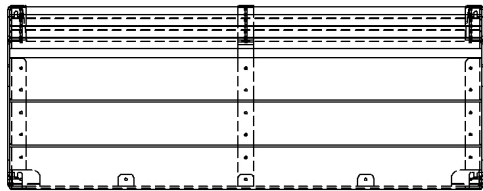


Bench with backrest

EP-UFS-CHAB2000



CARACTERISTICS

length : 59 1/2" (1,5m)
 deep: 23" (0,58m)
 seat height : 17 3/4" (0,30m)
 total height: 33 11/16" (0,86m)

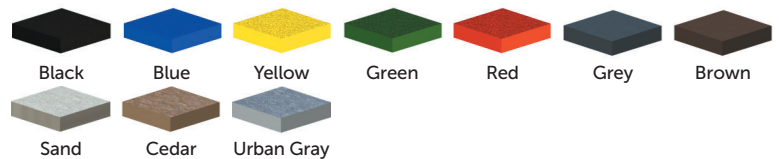
MATERIAL

Structure: Galvanized steel coated with baked polyester powder paint;
 Surface: Wooden or plastic boards.

INSTALLATION METHOD

Mechanical anchor in concrete slab

AVAILABLE COLORS - PLASTIC



AVAILABLE - WOOD & PLASTIC WOOD



AVAILABLE COLORS - STRUCTURE

