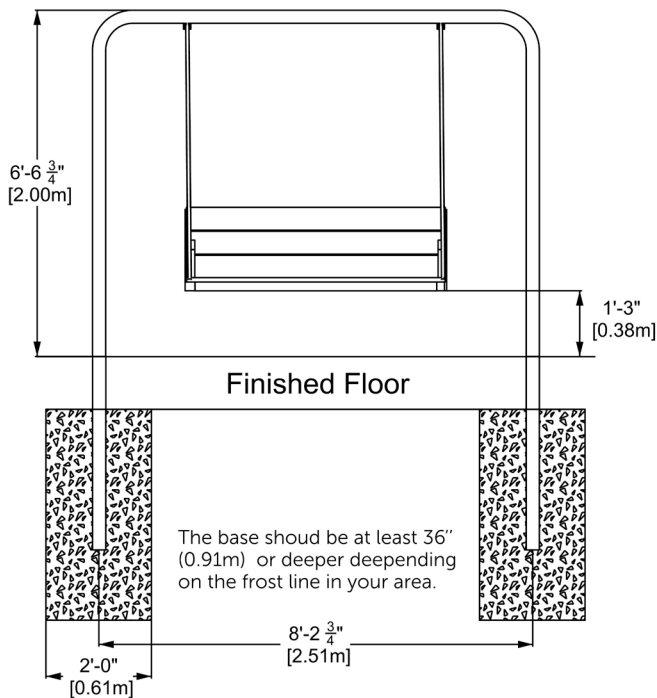
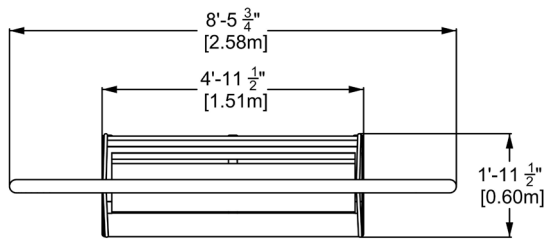


Swing Bench

EP-UFS-CHAS1000



CHARACTERISTICS

Length: 4'-11 1/2" (1.51m)
 Depth: 1'-11 1/2" (0.60m)
 Height - seat: 1'-3" (0,38m)
 Height - total: 6'-6 3/4" (2m)

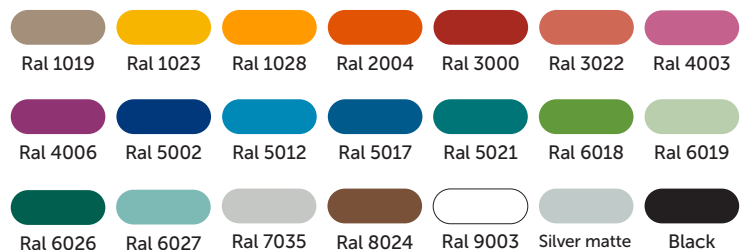
MATERIALS

Structure: galvanized steel and powder coated paint;
 Seating: natural wood, plastic wood or recycled plastic.
 Cables : braided UV-resistant nylon over seven (7) galvanized steel cables; 0,8" (20mm) diameter, black.

ANCHORS TYPE

Minimum 25 mpa poured concrete in Ø24" diameter sonotubes. Base depth to be determined according to the frost line in your area. The bases should be at least 36" or deeper depending on the frost line in your area. The foundation backfill must be made of 0-3/4" aggregate in successive layers not exceeding 12in to reach 95% of M.P.

AVAILABLE COLORS - PAINT



AVAILABLE COLORS - WOOD



AVAILABLE COLORS - PLASTIC (1")

