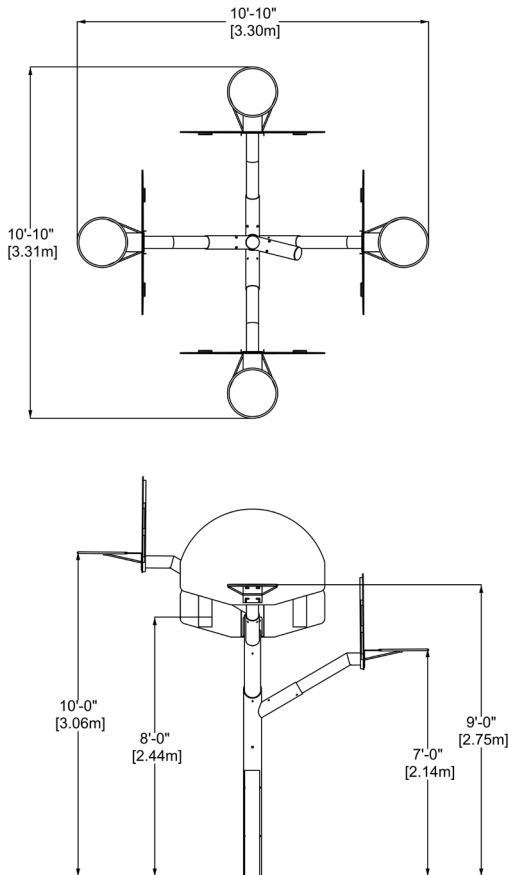
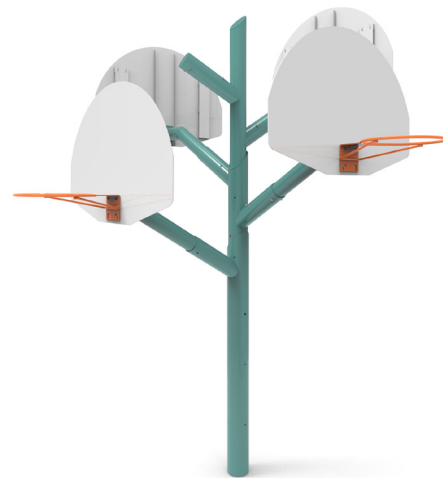


# Basketball tree 4 branches

EP-SKS-BT4000



### CHARACTERISTICS

Age group : 5 years old and over  
Basket heights: 7', 8', 9' and 10' (2.14m, 2.44m, 2.75m and 3.06m)  
This equipment must be installed on leveled ground.

### MATERIALS

**Post:** galvanized powder coated steel.  
**Basketball backboard:** white-powder coated aluminum, orange-painted galvanized steel, white nylon mesh.

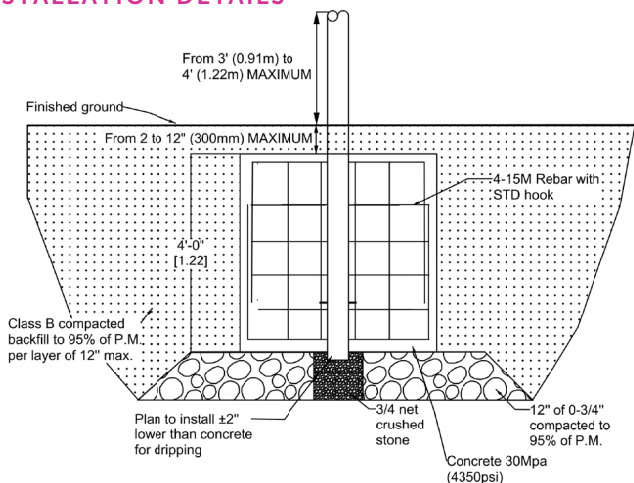
### ANCHORS TYPE

Concrete sleeve and mechanical assembly.  
The concrete base should be 4' x 4' x 4' (1.22m x 1.22m x 1.22m) and reinforced with rebar.  
The concrete used for the foundations must be at least 25 Mpa at 28 days with entrained air.  
The foundation backfill must be made of MG-20 aggregate in successive layers not exceeding 300mm to reach 95% of the P.M. over 1 meter around the base.

### PLAY VALUE

The basketball tree makes it possible for more kids to play at the same time. The four different height basketball hoops make the game easier for the little ones.

### INSTALLATION DETAILS



### AVAILABLE COLORS - POSTS

Price includes a choice of two colors.



### AVAILABLE COLORS - BASKETBALL BACKBOARD



### AVAILABLE COLORS - BASKETBALL HOOP

