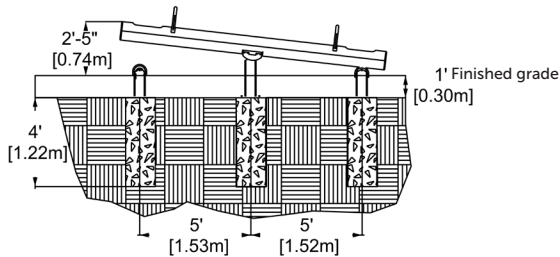
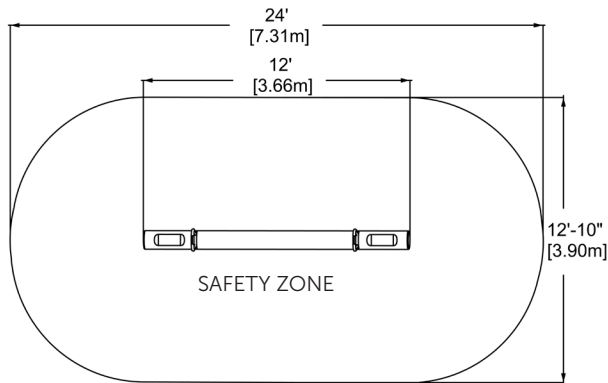


Log See-Saw

EP-NS-002 (ASTM & CSA)



CHARACTERISTICS

Age group : 5-12 years
Fall height : 2'-5" (0.74 m)
Capacity : 4
Safety zone : 24' x 12'-10" (7.31m x 3.90m)

MATERIALS

Log : 8 to 12" dia. minimum peeled white cedar - may be shaped as a canoe or other shapes on demand.
Protection applied in the workshop. If you want to avoid graying, protection must be applied annually.
Eastern white cedar is installed by default. Locust is also available on request. *Price may vary.
Mounting Brackets : Powder coated and gavanized steel.

ANCHORS TYPE

In-ground galvanized freestanding footing or in concrete base 48" (1,22m) depth.

PLAY VALUE

This play equipment has an important role in the development of the children's vestibular system. Having a strong vestibular system enhances the sense of the body in space, a better balance and a bigger capacity in sports in general. The Log See-Saw is a group play equipment where kids must communicate to make the log go up and down.

AVAILABLE COLORS - STRUCTURE

