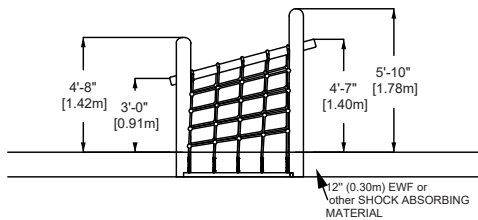
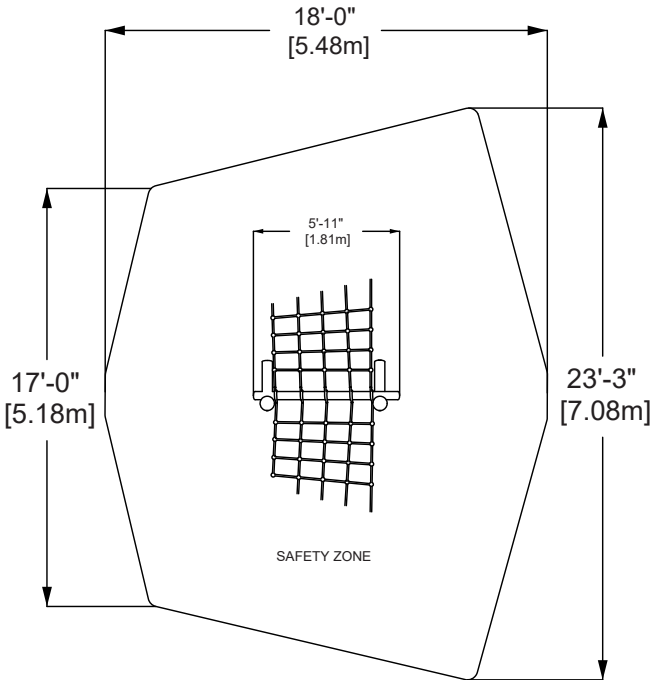
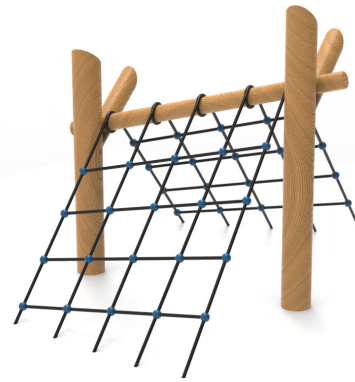
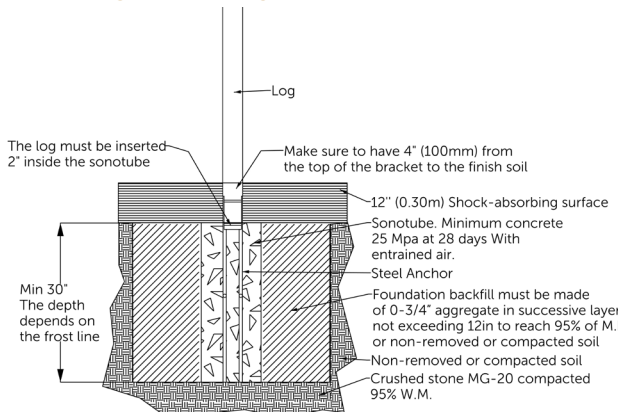


# Tent

EP-NS-006 (ASTM)



## INSTALLATION DETAILS



## CHARACTERISTICS

Age group: 2-5 years old  
 Fall height: 4'-7" (1.40m)  
 Height (structure): 5'-10" (1.78m)  
 Capacity: 12  
 Safety Zone: 18'-0" x 23'-3" (5.48m x 7.8m)

## MATERIALS

**Structure:** Cedar trunk(s), minimum 6" diameter. Protection applied in the workshop. If you want to avoid graying, protection must be applied annually.  
**Ropes:** braided UV-resistant nylon over seven (7) galvanized steel cables; 0,8" (20mm) diameter  
**Mechanical Assembly:** seamless 2" (51mm) diameter aluminum mechanical cross joint castings.

## ANCHORS TYPE

Concrete sonotubes. The concrete used for the foundation be minimum 25 Mpa at 28 days with entrained air. The base should be at least 36" or deeper depending on the frost line in your area. The equipment is design to be installed in a 12" (300mm) of resilient material (EWF, rubber or sand). If the tickness varies, please specify when ordering. The foundation must be installed in undisturbed soil or the backfill around sonotubes must be made of 0-3/4" aggregate in successive layers not exceeding 12" to reach 95% of M.P.

## PLAY VALUE

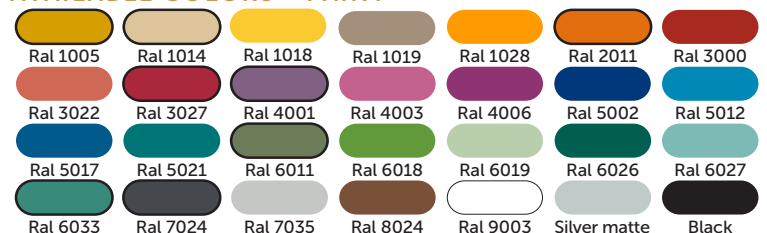
This equipment favores balance, stability, coordination and global motricity. It can be used by many users simultaneously, which encourages collaborative and social play. Moreover, the vestibular and proprioceptive systems are stimulated by this type of equipment, which helps to develop the perception of the body into space.

## AVAILABLE WOOD

Eastern white cedar is installed by default. The robinia is also available on request at an additional cost.



## AVAILABLE COLORS - PAINT



## AVAILABLE COLORS - CABLES

