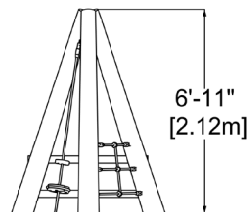
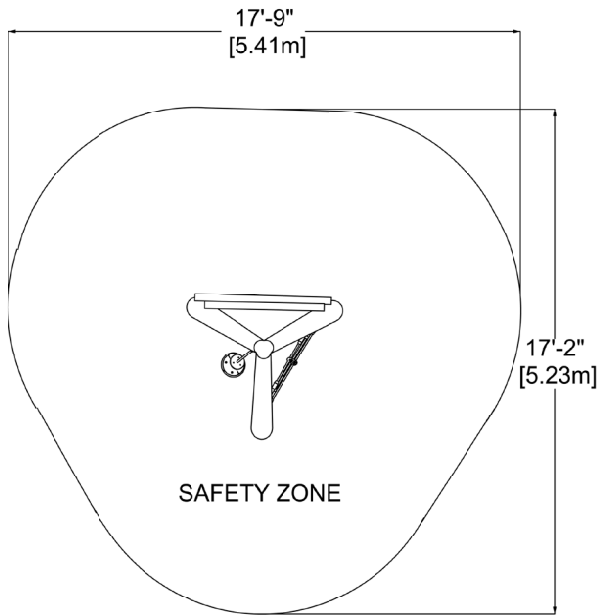
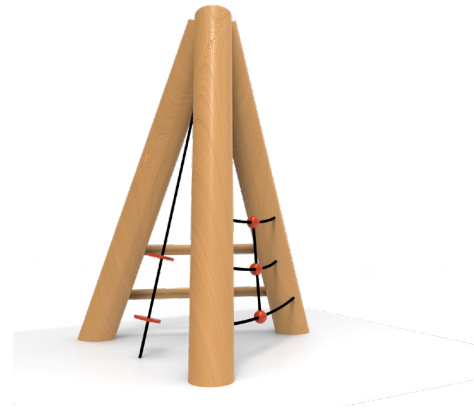
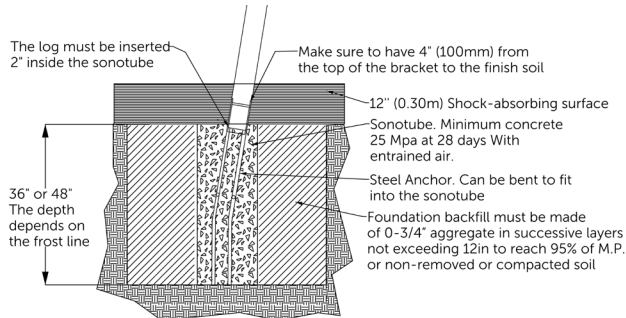


Mini Teepee

EP-NS-052 (ASTM & CSA)



INSTALLATION DETAILS



CHARACTERISTICS

Age group : 2-5 years old
 Height: 6'-11" (2,12m)
 Capacity : 3
 Safety zone : 17'-9" X 17'-2" (5.41m X 5.23m)
 This equipment must be installed on leveled ground.

MATERIALS

Beams: Minimum 10" dia. peeled Cedar log. No protection is applied to the wood. If you wish to avoid graying, protection must be applied annually.
Mounting Brackets: Galvanized steel;
Ropes: 20 mm braided UV-resistant nylon over seven (7) galvanized steel cables;
Discs: HDPE plastic;
Climbing probes: Seamless 2" diameter aluminum crimped cross joint castings.

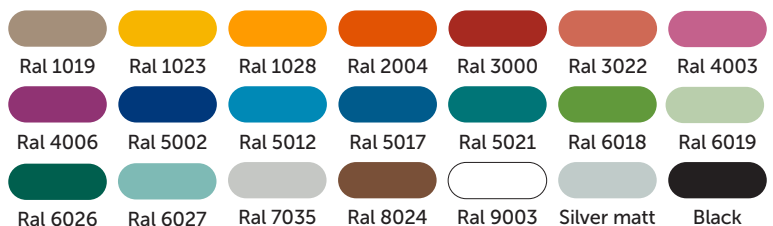
ANCHORS TYPE

The logs are fixed with steel anchors cast in Ø18" sonotubes and the climbing ropes are mechanically anchored in Ø12" sonotubes. The equipment is design to be installed in a 12" (300mm) of resilient material (EWF, rubber or sand). If the tickness varies, please specify when ordering.

PLAY VALUE

The Mini Teepee helps develop an important aspect of the child's vestibular system. A strong vestibular system improves perception of the body in space, contributes to better balance and greater ability in sports in general. The Mini Tipi offers a range of climbing techniques.

AVAILABLE COLORS - PAINT



AVAILABLE COLORS - CABLES



AVAILABLE COLORS - HDPE PLASTIC

