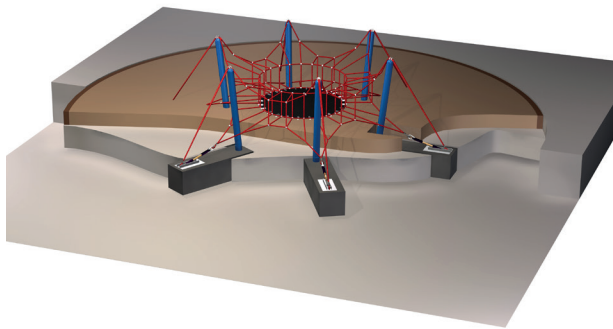


Full Bouncing Net

EP-ES-EAN3000 (ASTM & CSA)



CHARACTERISTICS

Age Group : 5-12 years old
 Height (structure) : 5'-4" (1,63m)
 Fall Height : 2'-10" (0,87m)
 Capacity : 17
 Safety Zone : 36'-7" x 32' (11,16m x 9,76m)

MATERIALS

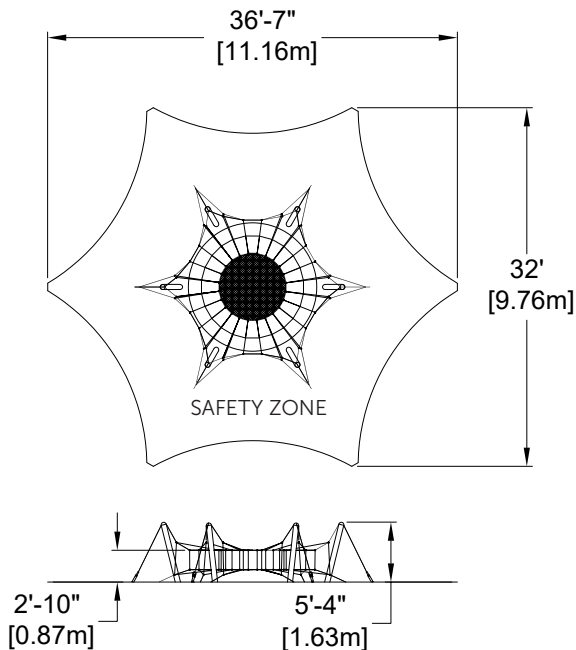
Structure : galvanized and powder coated steel;
 Cables : braided UV-resistant nylon over seven (7) galvanized steel cables; 0,8" (20mm) diameter;
 Mat : 1/2" (12,7mm) thick reinforced rubber mat;
 Mechanical Assembly : seamless 2" (51mm) diameter aluminum crimped cross joint castings.

ANCHORS TYPE

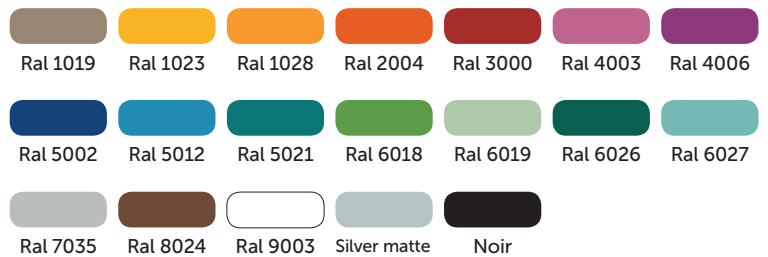
Posts : mechanical anchor in concrete bases.
 Net Tips : turnbuckles mounted to plates anchored in concrete bases.

PLAY VALUE

This Bouncing Net is a stimulating play equipment for single and multiple users. It allows kids to climb, observe and meet others, as well as encouraging them to reach the center to bounce.



AVAILABLE COLORS - STRUCTURE



AVAILABLE COLORS - CABLES

