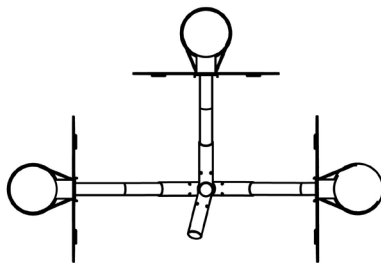
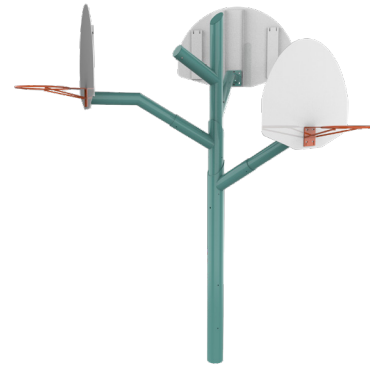


Basketball tree 3 branches

Height: 8-9-10

EP-SKS-BT3000-8910



CHARACTERISTICS

Age group : 5 years old and over
 Basket heights: 8', 9' and 10' (2.44m, 2.73m, 3.06m)
 Baskets can be positioned at 90° or 120° angles.
 This equipment must be installed on leveled ground.

MATERIALS

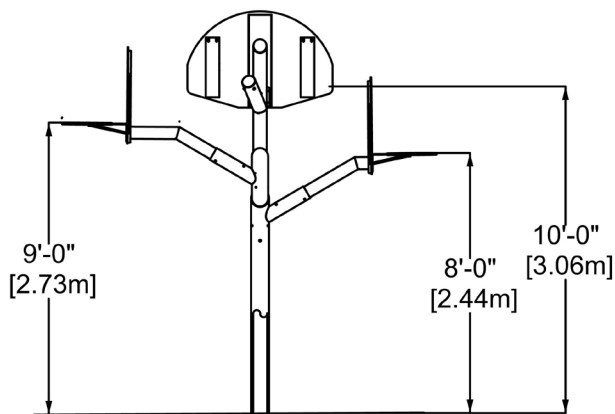
Post: galvanized powder coated steel.
Basketball backboard: white-powder coated aluminum, orange-painted galvanized steel, white nylon mesh.

ANCHORS TYPE

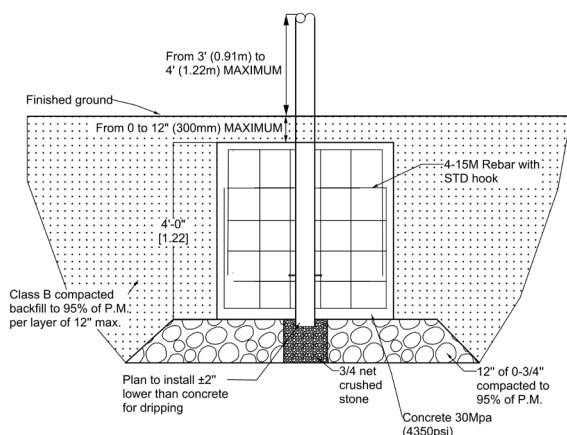
Concrete sleeve and mechanical assembly.
 The concrete base should be 4' x 4' x 4' (1.22m x 1.22m x 1.22m) and reinforced with rebar.
 The concrete used for the foundations must be at least 25 Mpa at 28 days with entrained air.
 The foundation backfill must be made of MG-20 aggregate in successive layers not exceeding 300mm to reach 95% of the P.M. over 1 meter around the base.

PLAY VALUE

The basketball tree allows several people to play basketball at the same time, providing a dynamic and friendly play area in a park or schoolyard.

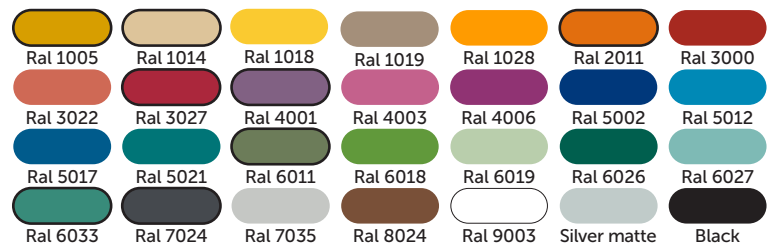


INSTALLATION DETAILS



AVAILABLE COLORS - POSTS

Price includes a choice of two colors.



AVAILABLE COLORS - BASKETBALL BACKBOARD



AVAILABLE COLORS - BASKETBALL HOOP

