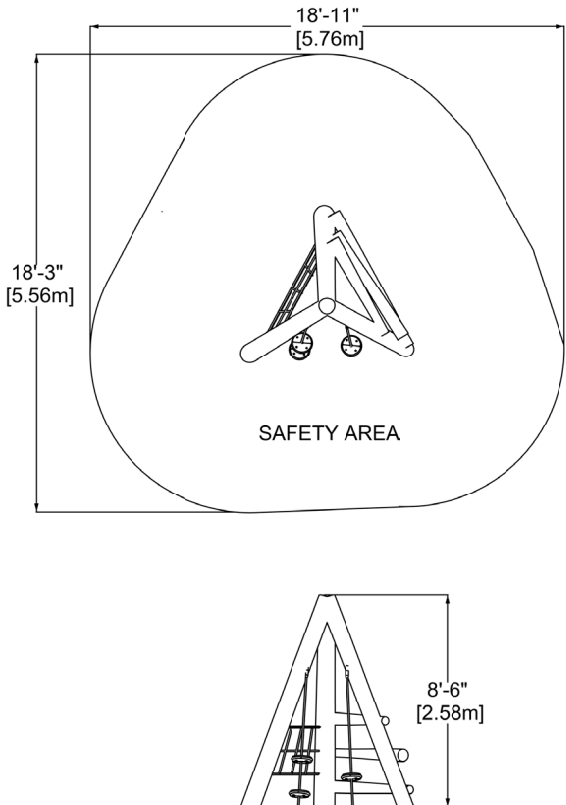
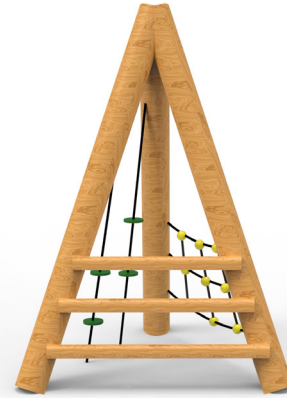


Teepee

EP-NS-003 (ASTM & CSA)



CHARACTERISTICS

Age group : 5-12 ans
 Height: 8'-6" (2.53m)
 Capacity : 6
 Safety zone : 18'-11" x 18'-3" (5.76m x 5.56m)
 This equipment must be installed on leveled ground.

MATERIALS

Beams: Minimum 10" dia. peeled Cedar log. No protection is applied to the wood. If you wish to avoid graying, protection must be applied annually.
Mounting Brackets: Galvanized steel;
Ropes: 20 mm braided UV-resistant nylon over seven (7) galvanized steel cables;
Discs: HDPE plastic;
Climbing probes: Seamless 2" diameter aluminum crimped cross joint castings.

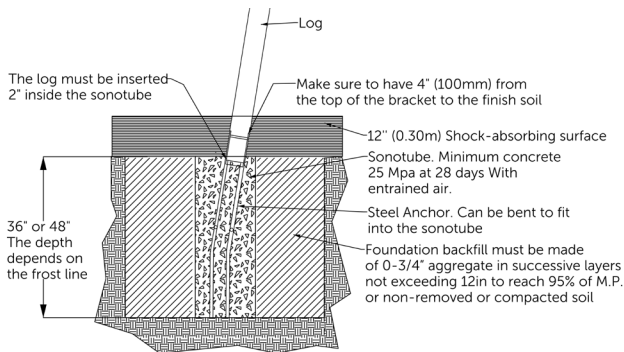
INSTALLATION METHOD

The logs are fixed with steel anchors cast in Ø18" sonotubes and the climbing ropes are mechanically anchored in Ø12" sonotubes. The equipment is design to be installed in a 12" (300mm) of resilient material (EWF, rubber or sand). If the tickness varies, please specify when ordering.

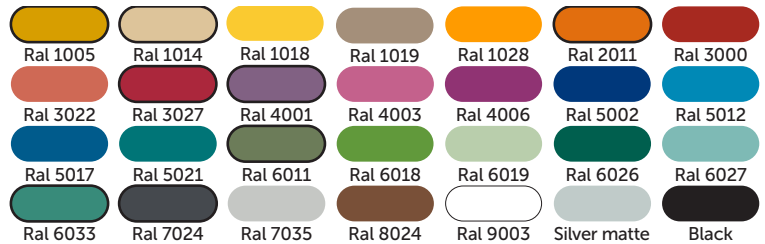
PLAY VALUE

The Teepee is an important component of the child's vestibular system development. Having a strong vestibular system enhances the sense of the body in space, helps to a better balance and a bigger capacity in sports in general. The Teepee allows different climbing techniques and encourages kids to communicate.

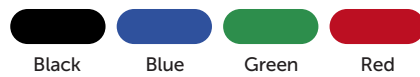
INSTALLATION DETAILS



AVAILABLE COLORS - PAINT



AVAILABLE COLORS - CABLES



AVAILABLE COLORS - HDPE PLASTIC

