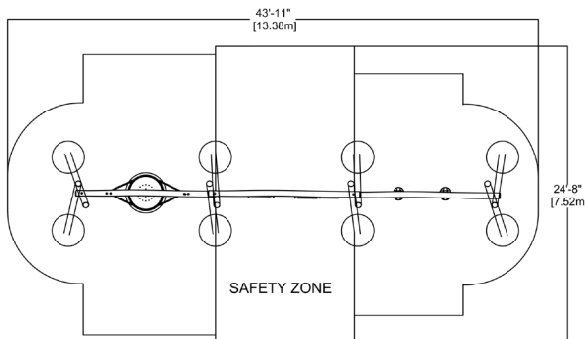


# Three bay swing\*

EP-NS-023-3 (ASTM)



\* New Product: The technical details contained in this document may change during engineering and production.



### CHARACTERISTICS

Age group: 2 - 12 y.  
 Height: variable  
 Capacity: 8  
 Protection area: 43'-11" (13.38m) x 24'-8" (7.42m)  
 This game is installed on a level ground.

### MATERIALS

**Structure:** White cedar log min 8" diameter. Protection applied in workshop. If you want to avoid greying, protection must be applied annually.  
**Top Beam:** Galvanized and powdercoated steel  
**Chains:** stainless steel or galvanized steel;  
**Regular Swing Seat:** vulcanized rubber;  
**Cables:** braided UV-resistant nylon over seven (7) galvanized steel cables; 0,8" (20mm) diameter;  
**Saucer Swing Seat:** dish shaped perforated aluminum;  
**Bumper:** resistant shock absorbing rubber;  
**Fasteners:** stainless steel.

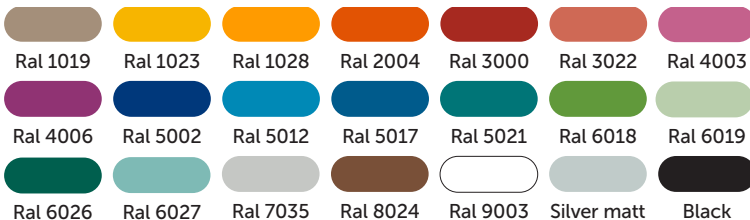
### ANCHORS TYPE

Anchored in concrete Ø30" sonotube.  
 The base should be at least 36" or deeper depending on the frost line in your area.  
 The equipment is design to be installed in a 12" (300mm) of resilient material (EWF, rubber or sand). If the tickness varies, please specify when ordering.  
**Concrete :** The concrete used for the foundation be minimum 25 Mpa at 28 days with entrained air.  
 The foundation must be installed in undisturbed soil or the backfill around sonotubes must be made of 0-3/4" aggregate in successive layers not exceeding 12" to reach 95% of M.P.

### PLAY VALUE

This multi-user swing will enhance the children's social development over the traditional swing, while bringing high sensory stimulation through its range of motion and freedom of movements. The challenge of this unique movement will stimulate and develop the kids' vestibular and proprioceptive systems. techniques and encourages kids to communicate.

### AVAILABLE COLORS - PAINT



### AVAILABLE WOODS



### AVAILABLE COLORS - CABLES



### AVAILABLE COLORS - BUMPER

