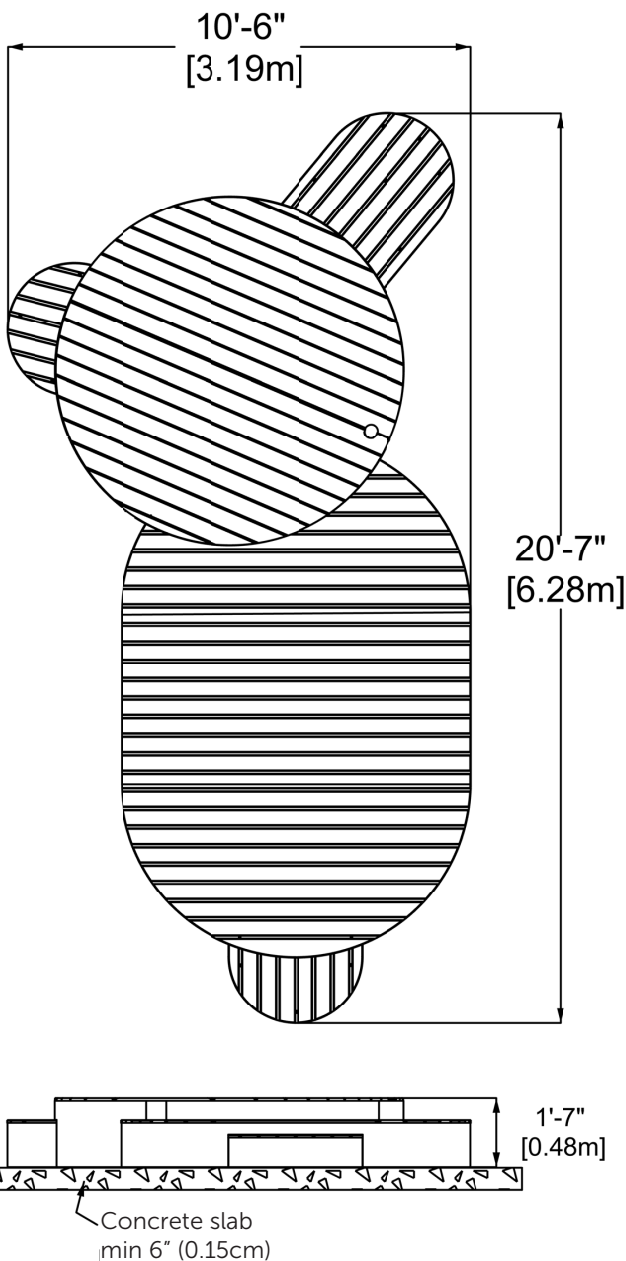
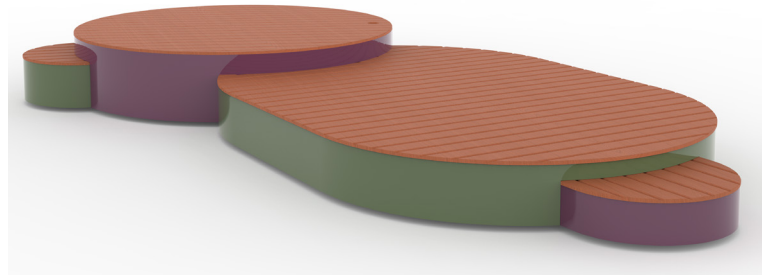


# Classroom Stadium

EP-UFS-BRND-ASSVAU



### CHARACTERISTICS

Overall dimensions: 10'-6" x 20'-7" (3.19m x 6.28m x 0.48m)

### MATERIALS

Structure: galvanized steel sheet, powder coated.

Surface: recycled plastic

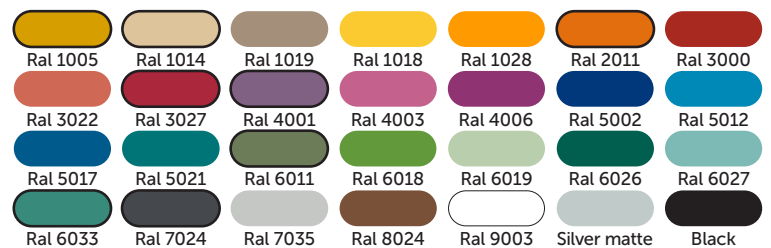
### ANCHOR TYPE

Mechanical anchors in a 6" slab of poured concrete, on a granular foundation.

### PLAY VALUE

Assembly of round benches to form a multi-level podium to create a flexible outdoor classroom, a stage or a place to gather.

### AVAILABLE COLORS - PAINT



### AVAILABLE COLORS - PLASTIC SURFACE

\*Prices may vary according to the material selected.

