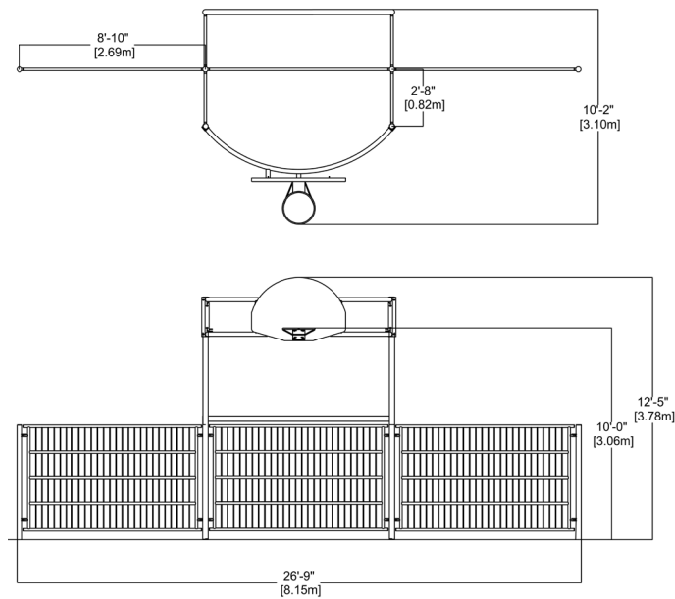


# Soccer goal and Basket Configuration Q10

EP-SKS-PCFB-Q10



## CHARACTERISTICS

Soccer and basketball goal.  
The basketball hoop is installed at 10' [3.05m].  
Please take into consideration the slopes of the field for an optimal use of the product.

## MATERIALS

**Posts and grids:** galvanized steel, powder-coated.  
**Basketball backboard:** white powder-coated aluminum with orange galvanized steel ring and white nylon net.

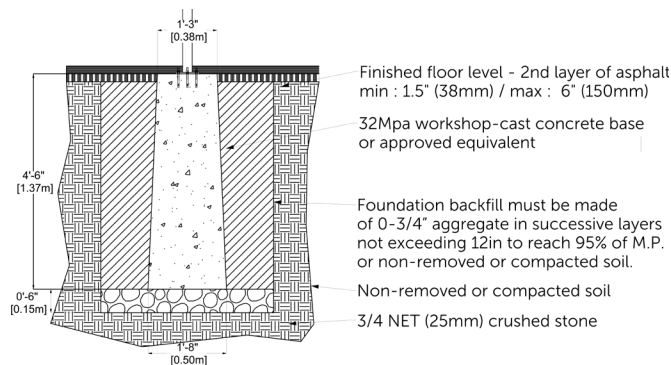
## ANCHORS TYPE

Black sleeves installed with mechanical anchors on pre-cast concrete pyramid bases (not supplied).

## PLAY VALUE

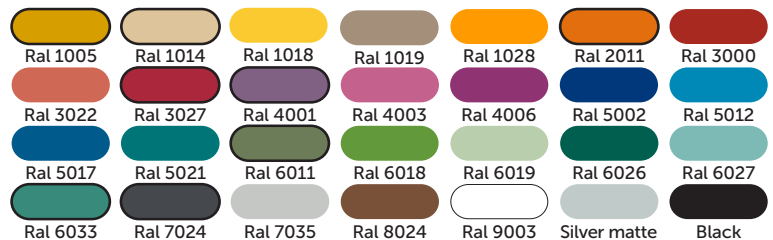
Maximizes play space.  
Ball and basketball fences are available in a variety of configurations to accommodate yards of all sizes. Cages can be installed directly on asphalt, synthetic or natural grass.  
Open-work mesh allows easy monitoring of play areas. The bright colors of the posts and fencing add sparkle to the yard.

## INSTALLATION DETAILS



The base should be approximately level with the first layer of asphalt.  
All bases of the same product must be at the SAME LEVEL.

## AVAILABLE COLORS - POSTS



## AVAILABLE COLORS - BASKETBALL BACKBOARD



White

## AVAILABLE COLORS - BASKETBALL HOOP



Orange

