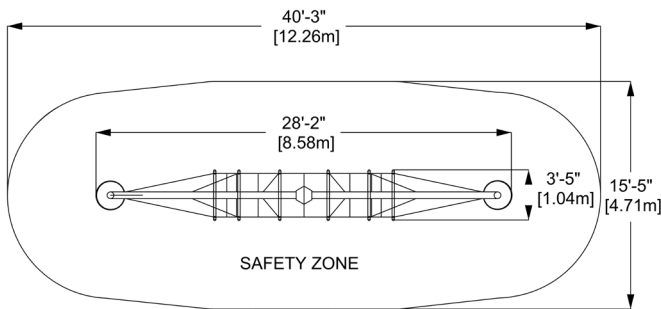
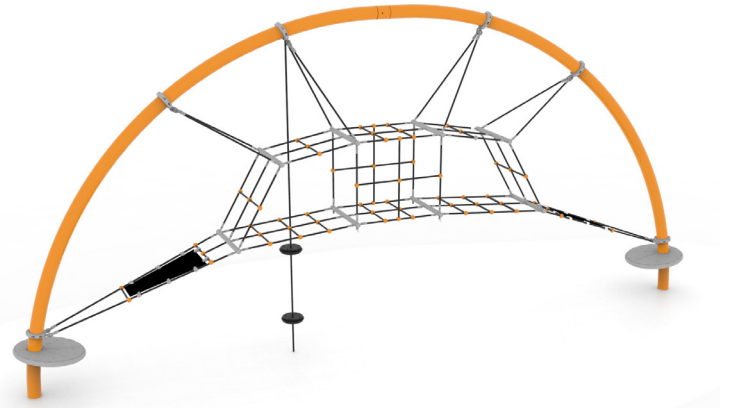


# Small Dome

EP-CN-AN1301 (ASTM & CSA)



### CHARACTERISTICS

Age Group : 5-12 years old  
 Height (structure) : 12'-5" (3.78m)  
 Fall Height : 7'-11" (2.41m)  
 Capacity : 20  
 Safety Zone : 40'-3" x 15'-5" (12.26m x 4.71m)  
 This equipment must be installed on leveled ground.

### MATERIALS

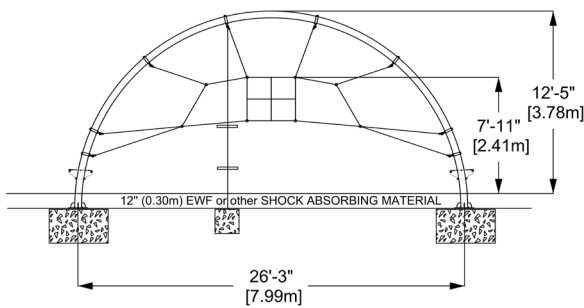
Structure : galvanized and powder coated steel;  
 Cables : braided UV-resistant nylon over seven (7) galvanized steel cables; 0,8" (20mm) diameter;  
 Net Accessories : HDPE plastic;  
 Mechanical Assembly : Mechanical cross joint.

### ANCHORS

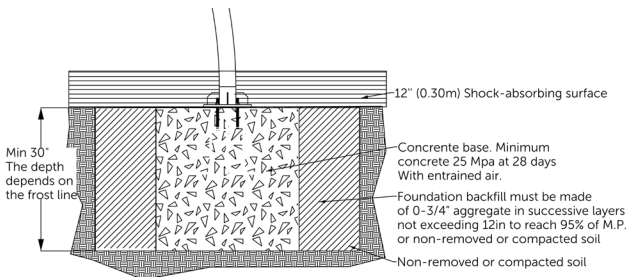
Concrete base footing.  
 The base should be at least 36" or deeper depending on the frost line in your area. The equipment is design to be installed in a 12" (0.30m) of resilient material (EWF, rubber or sand).

### PLAY VALUE

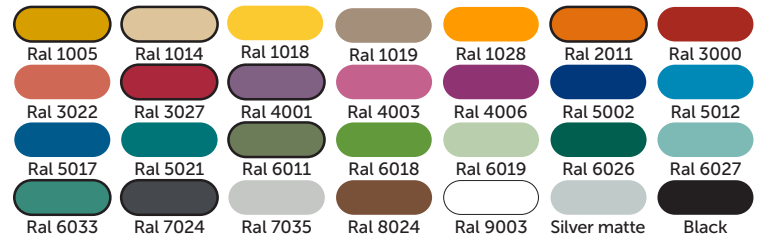
This equipment provides challenging play either solo or in group. The arch shape allows for children to climb and to observe while socializing. It is a place where they gather and develop their motor skills by taking different routes each time.



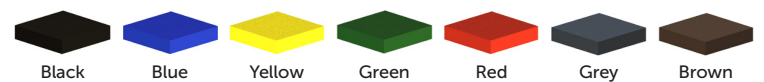
### INSTALLATION DETAILS



### AVAILABLE COLORS - STRUCTURE



### AVAILABLE COLORS - HDPE



### AVAILABLE COLORS - CABLES

