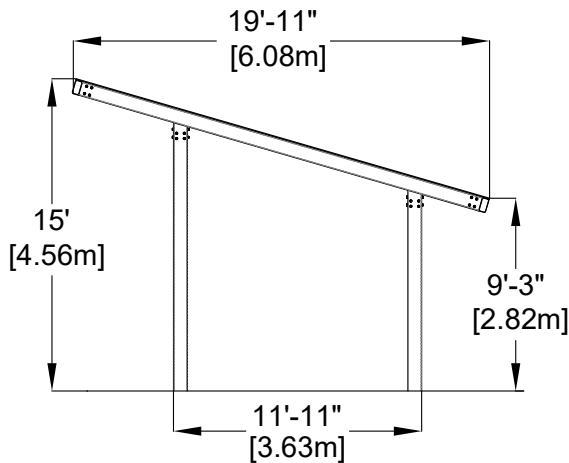
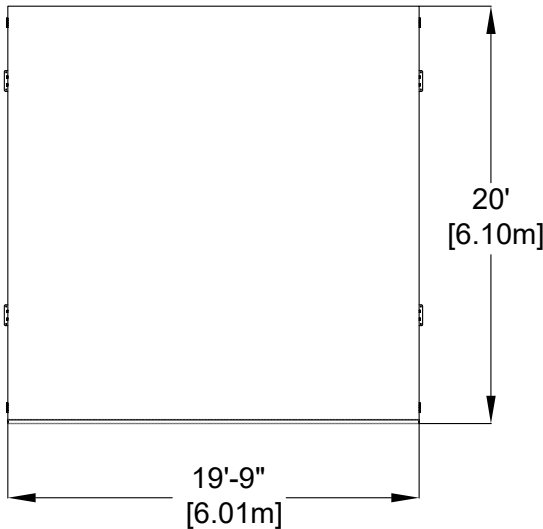


Shelter 20'x 20'

EP-UFS-AB2020



CHARACTERISTICS

Shelter with slanted roof;
 Dimensions : 20'x 19'-9" (6,1m x 6.01m)
 Height : 15' and 9'-3" (4,56m and 2.82m)

MATERIALS

Structure: galvanized and powder coated steel;
Roof: galvanized steel top (corrugated corrugated sheet or profiled sheet)
Under roof: Spruce tongue and groove. White cedar available with supplement.
Board: 0.75" (19mm) thick black HDPE

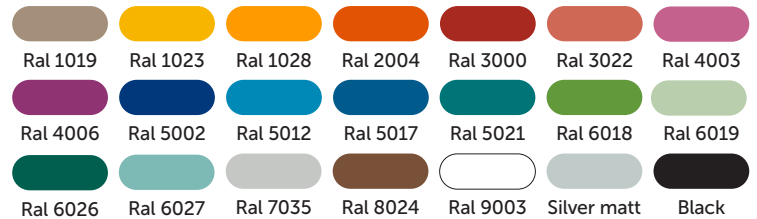
ANCHORS TYPE

Structure feet anchored in concrete base 3'x3'x5' (*to be confirm with ingeneering finals calculation).
 The structure is anchored using 1" Ø mechanical anchors.

PLAY VALUE

Adds shade to an outdoor classroom.
 Drawing boards enhance an outdoor classroom, promote creative play and lead to calming activities during recess. Designed to be used with classic chalk only. No liquid chalk markers.

AVAILABLE COLORS - STRUCTURE



AVAILABLE COLORS - DYEING



AVAILABLE COLOR - BOARD

