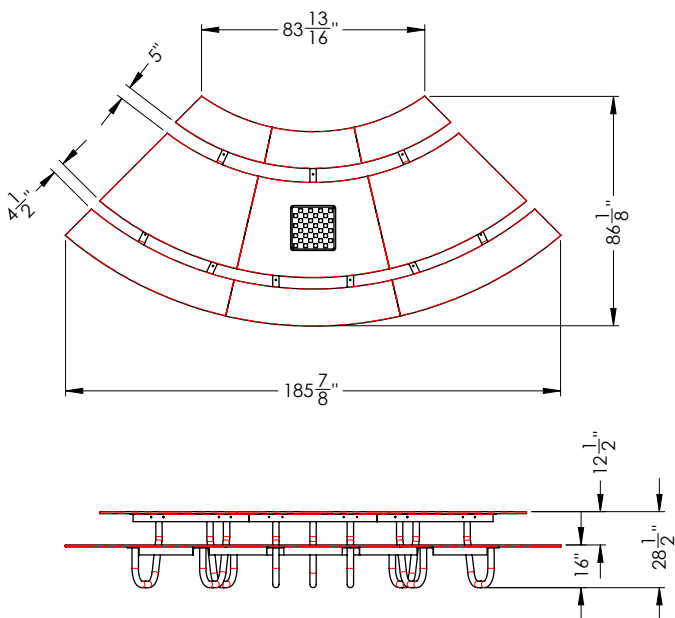
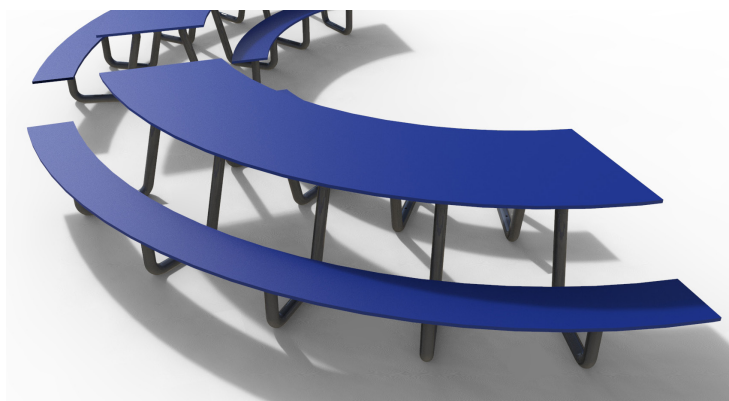


Modular Table Quarter Circle

EP-UFS-MODT4000



CHARACTERISTICS

185" x 86" 28.5" (4.7m x 2.2m x 0.7m)

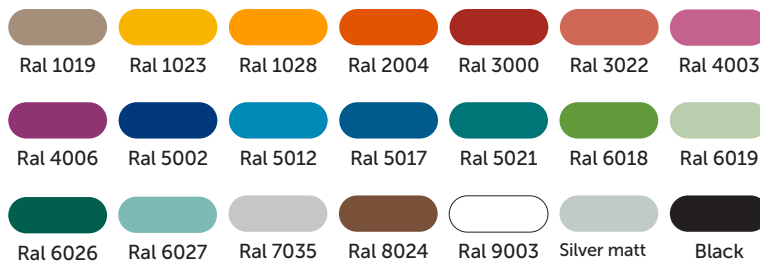
MATERIALS

Steel Structure : zinc plated and powder coated;
Surfaces : recycled plastic.

ANCHOR TYPE

Drop-in anchors in concrete slab.

AVAILABLE COLORS - PAINT



AVAILABLE COLORS - PLASTIC

