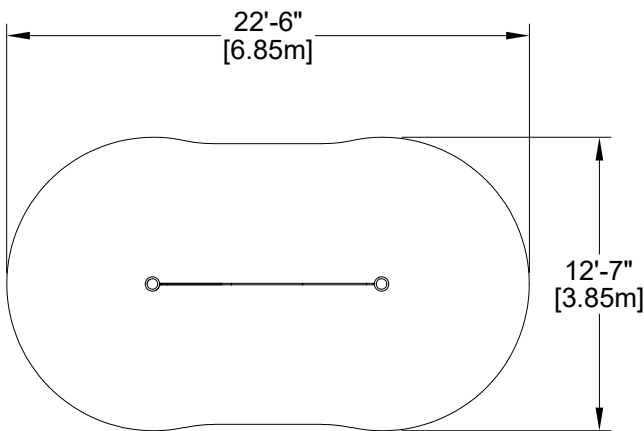
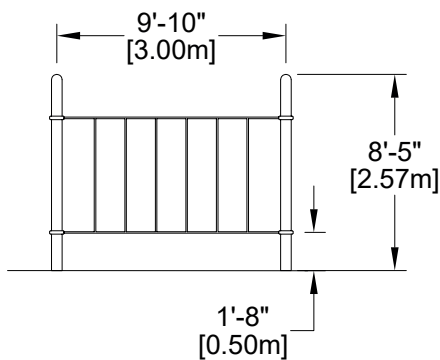


# Wall-Twist Net

EP-CT-NES1012 (ASTM & CSA)



NES1012



## CHARACTERISTICS

Age Group : 5-12 years old  
 Fall height : 1'8" (0.5m)  
 Capacity : 7  
 Safety Zone : 22'-6" x 12'-7" ( 6.85m x 3.85m)

## MATERIALS

Structure : galvanized and powder coated steel OR 8" (20,5cm) minimum Cedar log;  
 Cables : braided UV-resistant nylon over seven (7) galvanized steel cables; 0,8" (20mm) diameter;  
 Mechanical Assembly : Seamless 2" diameter aluminum crimped cross joint castings.

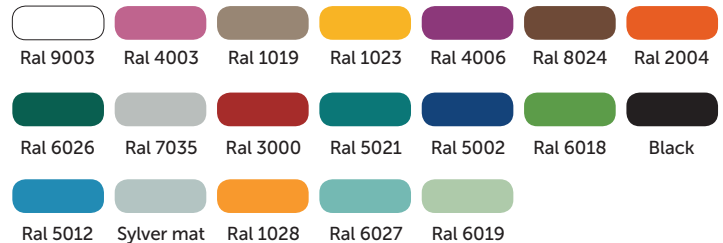
## ANCHORS TYPE

Concrete bases.

## PLAY VALUE

This equipment provides challenging play. It allows for children to climb and to observe while socializing, as well as developing their strenght. It is a place where they can gather and develop their motor skills.

## AVAILABLE COLORS - STRUCTURE



## AVAILABLE COLORS - CABLES

