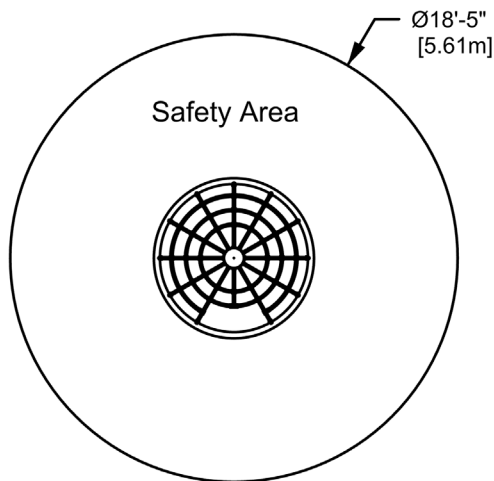


Pyramid Mini with Deck

EP-SS-ERN820D (ASTM)



CHARACTERISTICS

Age Group: 2 - 5 years old

Fall Height: 3'-10" (1.16m)

Capacity: 10

Safety zone: Ø18'-5" (Ø5.61m)

The equipment is design to be installed in a 12" (300mm) of resilient material (EWF, rubber or sand).

MATERIALS

Inner Post : heavy-duty galvanized steel;

Outer Post, Hardware and Fasteners : powder coated stainless steel*;

Deck : reinforced perforated aluminum*;

Ring : rolled aluminum tubing*;

Cap : half-sphere aluminum*;

Cables : braided UV-resistant nylon over seven (7) galvanized steel cables; 0,8" (20mm) diameter;

Cable Hardware : cast aluminum*;

Rotative Device : maintenance-free, self-lubricated nylon.

*All painted parts are powder coated with UV-resistant polyester.

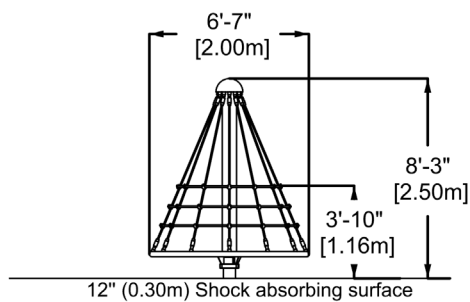
ANCHORS TYPE

In-ground galvanized steel freestanding footing.

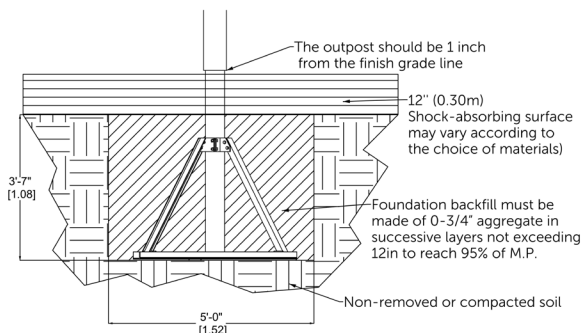
PLAY VALUE

The Spinneround Series enhances general playful freedom of movement, stability, hanging and running. This equipement favorize group interaction and create high sensory stimulation.

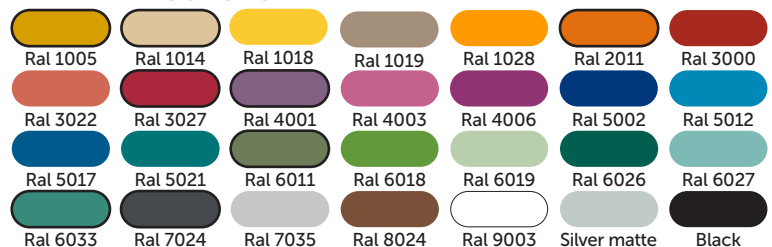
*Version suitable for young children.



INSTALLATION DETAILS



AVAILABLE COLORS - PAINT



AVAILABLE COLORS - CABLES

