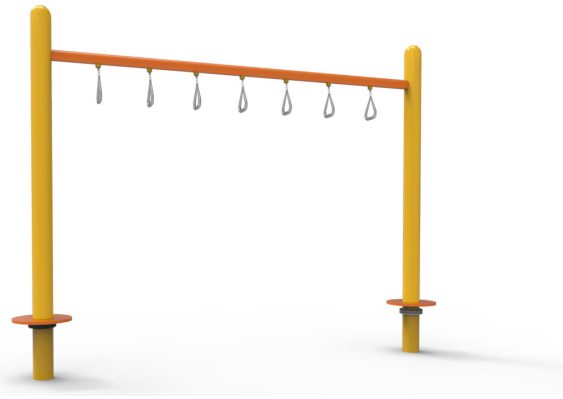
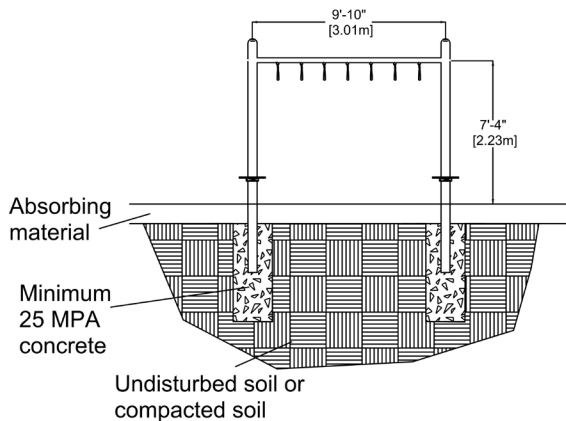
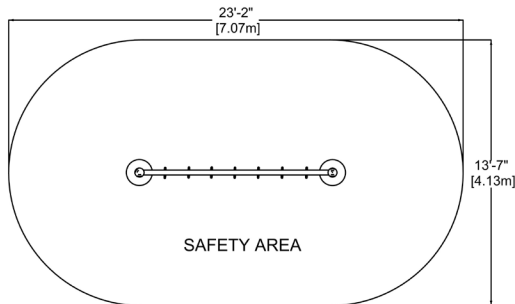


Triangular traverse*

EP-CT-NES-1022



* New Product: The technical details contained in this document may change during engineering and production.



CHARACTERISTICS

Age group: 5 - 12 y.

Height: variable

Capacity: 8

Protection area: 23'-2" (7.07m) x 13'-7" (4.13m)

This game is installed on a level ground.

MATERIALS

Posts and caps: 5 9/16" diameter, galvanized and powder coated steel.

Horizontal Bar: galvanized and powder coated steel;

Triangles: aluminium;

ANCHORS TYPE

Anchored in concrete 2x Ø24" sonotubes.

The base should be at least 36" or deeper depending on the frost line in your area.

The equipment is design to be installed in a 12" (300mm) of resilient material (EWF, rubber or sand). If the tickness varies, please specify when ordering.

Concrete : The concrete used for the foundation be minimum 25 Mpa at 28 days with entrained air.

The foundation must be installed in undisturbed soil or the backfill around sonotubes must be made of 0-3/4" aggregate in successive layers not exceeding 12" to reach 95% of M.P.

PLAY VALUE

This equipment will enhance the children's social development while bringing high sensory stimulation through its range of motion and freedom of movements. The challenge of this equipment will stimulate and develop the kids' vestibular and proprioceptive systems. techniques and encourage kids to communicate.

AVAILABLE COLORS - PAINT

